

*Draft Public Notice Version March, 2015. The findings, determinations and assertions contained in the document are not final and subject to change following the public comment period.*

Steve Schnoor  
Acting Manager - Environment  
Rio Tinto Kennecott Copper  
4700 Daybreak Parkway  
South Jordan, UT 84095

Dear Mr. Schnoor:

Subject: **Construction Permit** for RTK South End Drainage Collection System

On November 21, 2014, the Division of Water Quality (DWQ) received the engineering plans and specifications for the South End Drainage Collection System prepared by URS and stamped by Thomas C. Wright, III Utah Certified Professional Engineer. This project requires new cut-off walls and associated detention basins in the Olsen, Butterfield 1 and Yosemite drainages. The relocation and construction of new cut-off walls would require a modification to the Utah Groundwater Discharge Permit No. UGW350010. These changes will be made during the renewal process of that Permit. Therefore, this Construction Permit is being issued at the same time as the UGW350010 Permit Renewal.

The following is a summary of the proposed major construction projects for this Construction Permit for the Olsen, Butterfield 1 and Yosemite drainages:

- Creation of drainage basins to help control the flood events for a 25 and 100 year 24 hour storm event;
- Placement of overflow weirs, permeable rock weirs, inlet and outlet structures, and piping systems to help meter flow events through the drainage system; and
- Construction of new (replacement) concrete cut-off walls.

The plans and specifications, as submitted, comply with *the Utah Water Quality Rules, (R317, Utah Administrative Code)*. A **Construction Permit** is hereby issued as constituted by this letter, subject to the following conditions:

- 1. Any revisions or modifications to the approved plans and specifications must be submitted to DWQ for review and approval, before construction or implementation thereof. Please submit any changes for review and approval directly to Woodrow Campbell, P.E., of the DWQ Ground Water Protection Section.*
- 2. A written operations and maintenance manual, containing a description of the functioning of the facilities, an outline of routine maintenance procedures, and all checklists and maintenance logs needed for proper operation of the system, must be submitted and approved before the final inspection and operation of the system.*
- 3. The approved facilities must not be placed in service unless DWQ has conducted a final inspection, reviewed and approved the As-Built Construction Certification Report, and provided written authorization to place the constructed facilities in service.*

Mr. Schnoor

Page 2

The plans and specifications for this project have been stamped and signed by a Professional Engineer currently licensed to practice in the state of Utah. The construction design, inspection supervision, and written construction certification of all work associated with this Construction Permit must be performed by a Professional Engineer licensed to practice in the state of Utah.

This Construction Permit will expire one year from the date of its issuance, as evidenced by the date of this letter, unless substantial progress is made in constructing the approved facilities or the plans and specifications have been resubmitted and the construction permit is reissued. This permit does not relieve you, in any way, of your obligations to comply with other applicable local requirements.

Please contact Mr. Campbell at the beginning of construction to allow periodic inspections to be scheduled. Upon completion of the project, a final inspection and approval of the As-Built Construction Certification Report is required before the approval to operate the completed facilities can be issued. Please remain in contact with Mr. Campbell to schedule the final inspection. The Construction Certification Report with final as-built drawings must include test results for the following construction quality assurance and quality control (CQA/QC) elements:

Soil Subgrade

- Proctor Curves,
- Soil Classification,
- Field Compaction Testing, and
- Subgrade Acceptance Certification.

Concrete

- Concrete Mix Verification,
- Concrete ASTM Testing Method, Frequency, and Results,
- Concrete Testing Pass/Fail Criteria, and
- Crack Inspection and Repair.

If we can be of further assistance, please contact Mr. Woodrow Campbell at [wwcampbell@utah.gov](mailto:wwcampbell@utah.gov) or (801) 536-4353.

Sincerely,

Walter L. Baker, P.E.  
Director

WLB/WWC/DJH:

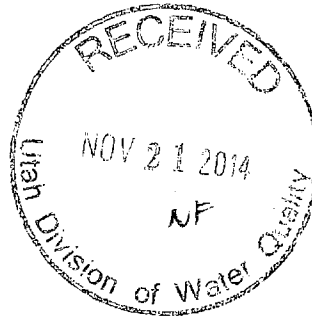
cc: URS, Thomas Wright (w/o encl.)  
Doug Bacon, DERR (via e-mail, w/o encl.)  
Kerri Fiedler, Region 8 USEPA (via e-mail, w/o encl.)  
Leslie Hepler, DOGM (via e-mail, w/o encl.)

Kennecott Utah Copper  
 4700 Daybreak Parkway  
 South Jordan, Utah 84095  
 801-569-7128 (o)  
 801-569-7192 (f)

Chris Kaiser  
 Manager - Environment

November 21, 2014

Mr. Dan Hall, Section Manager  
 Groundwater Protection Section  
 Division of Water Quality  
 Utah Department of Environmental Quality  
 195 West 1950 North  
 P.O. Box 144870  
 Salt Lake City, Utah 84114-4870



Dear Mr. Hall:

**Subject: Request for Approval to Construct  
 South Waste Rock Reclamation Cut-off Wall Relocation  
 Bingham Canyon Mine and Water Collection System, Permit # UGW350010**

Kennecott Utah Copper LLC (KUC) has, over the past year, briefed Utah Division of Water Quality (UDWQ) staff regarding the South Waste Rock Reclamation project. KUC submitted for UDWQ review the groundwater discharge permit modification application regarding water collection system modifications specific to this project on November 19, 2014. The permit modification is specific to three drainages within the water collection system down gradient of the more southerly waste rock piles. The construction of new cut-off walls will be required in those drainages to accommodate waste rock placement and detention basin construction. In the case of Yosemite drainage and under the current proposed design, detention basin configuration is contingent upon cut-off wall relocation and is included in this package for UDWQ review.

Attached to this letter are the design drawings and the associated construction specification sheets for the cut-off wall and detention basin construction. Further site specific details related to location, hydrogeology, facility operation and monitoring are available in the groundwater discharge permit modification application submitted in conjunction with the construction design package.

Included for UDWQ review and approval are the following:

1. Water collection system design drawings
2. Water collection system construction specifications

Should the division have any questions regarding this submittal or require additional information during the review please contact Zeb Kenyon, Senior Advisor – Environmental Quality and Compliance, at (801) 569-6035.

Sincerely,

Chris Kaiser  
 Manager – Environment

Document Date 11/21/2014



DWQ-2014-015545

NF

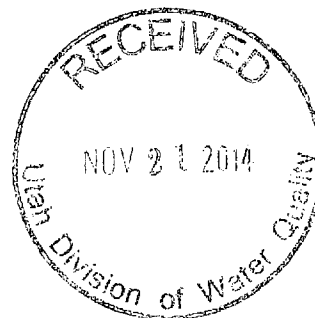
**RioTinto**

Cc: Woody Campbell (DWQ)  
Dan Hall (DWQ)  
Doug Bacon (DERR)

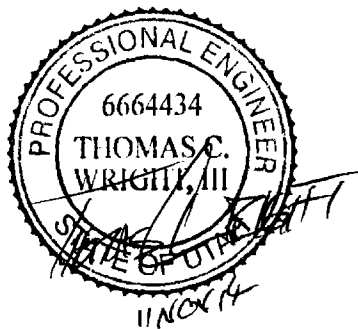
**TECHNICAL SPECIFICATIONS**

**For  
RIO TINTO KENNECOTT COPPER  
SOUTH END DRAINAGE COLLECTION SYSTEM**

**CONSTRUCTION PLANS AND SPECIFICATIONS**



August 2014



Prepared By:

**URS CORPORATION**  
756 East Winchester Street, Suite 400  
Salt Lake City, Utah 84107  
(801) 904-4000

This page intentionally left blank.

## TABLE OF CONTENTS

<b>Section No.</b>	<b>Description of Specification</b>
GENERAL	
01110	Summary of Work
01120	Health and Safety
01210	Measurement and Payment
01310	Closeout Requirements
01320	Warranties and Bonds
01410	Temporary Erosion Controls
01510	Dust Control for Contractor Operations
CIVIL	
02110	Topsoil Stripping, Placement, and Grading
02120	Construction Dewatering
02210	General Earthwork
02220	Excavating and Backfilling for Underground Piping
02225	High Density Polyethylene Pipe (HDPE)
02230	Trench Dams
02240	Embankments, Borrow, and Backfill
02250	Bentonite Pond Liner
02260	Riprap
02280	Geotextile
02310	Seeding and Mulching
02320	Erosion Control Mat
03110	Cast-in-Place Concrete
03210	Concrete Reinforcement
03310	Precast Structural Concrete
05110	Miscellaneous Metals

**SECTION 01110  
SUMMARY OF WORK**

**PART 1      GENERAL**

1.1      SECTION INCLUDES

- A.      Project background and description, work summary, and work by Owner.

1.2      BACKGROUND

- A.      Kennecott Utah Copper (Owner), is upgrading a water collection system along the South End drainages of the Bingham Canyon Mine Waste Rock Dumps to prevent sediment and water from flowing off KUC property during large storm events such as the 100-year, 24-hour storm for the current closure plan of the mine. The Bingham Canyon Mine Waste Rock Dumps are located about 20 miles southwest of Salt Lake City, Utah, near the town of Copperton.

1.3      PROJECT DESCRIPTION

- A.      Installation of the water collection system involves constructing a network of riprap lined channels and stilling basins along the newly reclaimed surface at the South End drainages of the Bingham Canyon Mine Waste Rock Dumps. This reclaimed surface collection system will distribute runoff to several detention basins located within various watersheds. The drainage area for this system encompasses approximately 800 acres and is designed to contain and prevent sediment and water from flowing off KUC property during the 100-year, 24-hour storm event.

1.4      WORK SUMMARY

- A.      The following lists are general summaries for work elements by Kennecott Facility Codes and are not intended to be a detailed listing of Work required. All Work shall be constructed in accordance with applicable Contract Documents.

- B.      Surface Water Management 44431

- 1.      Construct downdrain riprap lined channels along the surface of newly reclaimed slopes.
- 2.      Install energy dissipation basins and line with non-woven geotextile.
- 3.      Grade benches along the newly reclaimed surface to redirect surface water and provide a drivable surface for maintenance access.
- 4.      Install culverts to direct surface water from benches to downdrain riprap lined channels.
- 5.      Construct detention basins to collect sediment and surface water accumulated from the newly reclaimed surface.

- C.      Site Development / Temporary Construction 44711

- 1.      General contractor mobilization
- 2.      Temporary Utilities
- 3.      Employee parking and shuttle service
- 4.      Security
- 5.      Site dewatering
- 6.      Erosion & sediment control (BMP's)
- 7.      Equipment and material laydown areas



- 8. Surface and storm water controls
  - 9. Fuel storage
  - D. Quarry and Haul Road Development 44002, 44612 and 44721
    - 1. Develop borrow areas for excavation and processing.
    - 2. Furnish crushing and screening plant for processing of borrow material.
    - 3. Construct temporary access roads as shown on the plans.
    - 4. Excavate borrow materials.
    - 5. Process and stockpile borrow materials.
    - 6. Reclaim disturbed borrow areas.
  - E. Reclamation 44821
    - 1. Reclamation of the borrow area and disturbed construction area
- 1.5 WORK BY OWNER, OWNER OCCUPANCY, AND COORDINATION
- A. Coordinate with Owner's operations and Work by others at the site.
  - B. Existing operations to remain operational and unimpeded at all times except for disruptions planned in advance with Owner and responsible party

**PART 2 PRODUCTS**

NOT USED.

**PART 3 EXECUTION**

NOT USED.

**END OF SECTION**

**SECTION 01120  
HEALTH AND SAFETY**

**PART 1      GENERAL**

1.1      SECTION INCLUDES

- A.      Owner's health and safety requirements and Contractor health and safety responsibilities.
- B.      Preparing and submitting the Contractor's Project Health and Safety Plan.

1.2      REFERENCES

- A.      OSHA 29 CFR 1926 - Construction Industry Health and Safety Standards
- B.      OSHA 29 CER 1910 - General Industry OSHA Health and Safety Standards
- C.      MSHA 30 CFR 56 - Mine Safety and Health Regulations
- D.      All other applicable Federal, State, and Local Safety and Health requirements.
- E.      KUC Mine safety policies.

1.3      SUBMITTALS

- A.      The Contractor's Project Health and Safety Plan is for informational purposes only.

1.4      CONTRACTOR'S RESPONSIBILITY

- A.      Provide a safety program that conforms to all applicable regulations, safety orders, and health and safety plans. Be solely responsible for initiating, maintaining, and supervising all safety precautions and programs in connection with project work. Prepare a formal Project Health and Safety Plan and make the plan available for all personnel.
- B.      Comply with all applicable federal, state, and local laws, rules, and regulations, health and safety plans, KUC Mine safety policies and building codes relating to safety.
- C.      Ensure all employees comply with Owner's standards, including but not limited to site specific training, applicable MSHA and KUC site training. Each employee must wear, at all times when on-site, a hard hat, ear protection when exposed to prolonged noise over 85 decibels, steel-toed boots, and a fluorescent vest.
- D.      Designate an on-site Safety Officer whose duty shall be the prevention of accidents and enforcement of safety and health regulations. The Safety Officer's duties and responsibilities shall continue until all project work is completed and Owner has accepted the project work.
- E.      Erect and properly maintain at all times, and as required by site conditions and project work progress, all necessary safeguards for the protection of all persons. Post signage warning against any hazards at project work areas.
- F.      Exercise every precaution at all times for the protection of all persons and property which shall include, as needed, the use of shoring, bracing, barricades, lighting, engineering controls, night security personnel, and the elimination or avoidance of hazardous conditions where possible.
- G.      Implement consequence thinking. Hold daily tailgate meetings to identify a safety share, discuss upcoming work, and address any other safety and health issues.

- H. Complete task training as necessary and ensure operators are able to properly operate designated equipment.
- I. Ensure that at least one person on-site per shift is trained in first aid procedures and carries a current certification card of such training.
- J. Provide a first aid kit for each passenger vehicle and temporary office and/or shop structure on-site. Check extinguishers for expiration dates and proper maintenance if required. Check first aid kits to ensure items necessary to treat all types of first aid injuries are included, clean, and well stocked. Advise all employees of location of first aid supplies.
- K. Provide all vehicles, construction equipment, temporary offices, work areas, and storage areas with a sufficient number of fire extinguishers of Type 2A - 10 B, 10 C, or higher. Locations of fire extinguishers shall be prominently displayed. Locate fire extinguishers in hazardous areas such that travel distance to the nearest fire extinguisher shall not exceed 50 feet. Inspect and maintain all fire extinguishers in accordance with NFPA 10. All vehicles shall be equipped with a buggy whip that extends 12-feet above the top of the vehicle and has an orange flag at the top. The top of the buggy whip shall also be equipped with a light located at the top that shall remain on at all times.
- L. Post and provide employees with telephone numbers and radio signals/protocol for mine emergency reporting and response requests in a conspicuous place. Also post and provide all employees with telephone numbers and directions to nearest hospital/ambulatory service, health clinic, and fire station in conspicuous place. Advise employees of this information and its location.
- M. Advise all employees of the location and operation of the telephones for emergency reporting.
- N. Identify any hazardous substance or condition exposed during project work to Manager for decision or remedy.
- O. Contractor shall report to Manger and Owner any safety incident, including injuries requiring first aid and near-misses. Discussion of such incidents shall be included in daily tailgate meetings.
- P. Defend, indemnify, and hold harmless Owner, its officers, and agents from all claims, damages, litigation, expenses, counsel fees, and proceedings brought against Owner, its officers, and agents from liability imposed on Owner, its officers, and agents by reason of any violation or alleged violation of any applicable laws, rules and regulations in connection with or arising from these operations and activities over which Contractor has management, supervision, and control. Owner shall cooperate with Contractor in the event Contractor has management, supervision, and control. Owner shall cooperate with Contractor in the event Contractor chooses to contest any citation, order, penalty, and other enforcement action or liability in connection therewith which Contractor is obligated to Owner under the terms of this paragraph.

1.5 MANAGER'S RESPONSIBILITY

- A. The Manager will have no responsibility for enforcing the requirements referenced in the Contractor's Health and Safety Plan.

1.6 OWNER'S RESPONSIBILITY

- A. The Owner will have no responsibility for enforcing the requirements referenced in the Contractor's Health and Safety Plan.
- B. The Owner will ensure all on-site personnel have current, appropriate MSHA certifications, KUC Mine specific training, and other training as necessary.

C. The Owner will make available necessary site specific training.

**PART 2 PRODUCTS**

NOT USED

**PART 3 EXECUTION**

NOT USED

**END OF SECTION**

**SECTION 01210  
MEASUREMENT AND PAYMENT**

**PART 1 GENERAL**

**1.1 SECTION INCLUDES**

This Section specifies administrative and procedural requirements to define pay items and determine payable amounts, and includes but is not limited to:

1. General Provisions
2. Cash Allowances
3. Work Not Paid for Separately
4. Measurement for Payment
5. Partial Payment for Stored Materials and Equipment

**1.2 GENERAL PROVISIONS**

- A. This specification includes standard descriptions for all bid items. This Contract's specific bid items are listed in the Bid Schedule.
- B. The total Contract Amount shall cover the Work required by the Contract Documents. All costs in connection with the successful completion of the Work, including furnishing all materials, equipment, supplies, and appurtenances; providing all construction, equipment, and tools; and performing all necessary labor and supervision to fully complete the Work, shall be included in the unit and lump sum prices bid. All Work not specifically set forth as a pay item in the Bid Form shall be considered a subsidiary obligation of the Contractor and all costs in connection therewith shall be included in the prices bid.
- C. If used, all estimated quantities stipulated in the Bid Schedule or other Contract Documents are approximate and are to be used only (a) for the purpose of comparing the bids submitted for the Work, and (b) as a basis for determining an initial Contract Amount. The actual amounts of Work completed and materials furnished under unit price items may differ from the estimated quantities. Kennecott Utah Copper (KUC) does not expressly or by implication represent that the actual quantities involved will correspond exactly to the quantities stated in the Bid Schedule; nor shall the Contractor plead misunderstanding or deception because of such estimate or quantities or of the character, location or other conditions pertaining to the Work. Payment to the Contractor will be made only for the actual quantities of work performed or material furnished in accordance with the Drawings and other Contract Documents, and it is understood that the quantities may be increased or decreased as provided in the General Conditions.
- D. If used, the unit prices listed in the Bid Schedule shall include all services, obligations, responsibilities, labor, materials, devices, equipment, royalties and license fees, supervision, temporary facilities, construction equipment, bonds, insurance, taxes, clean up, traffic control, control surveys, field offices, close out, overhead and profit and all connections, appurtenances and any other incidental items of any kind or nature, as are necessary to complete the Work in accordance with the Contract Documents.
- E. Except for mobilization/demobilization and project record documents, payment for Work will be based on the percent of completed work of each item in the Schedule of Values, including stored materials, as determined by KUC. Progress of work in each item of the Schedule of Values will be determined separately by KUC. However, KUC will issue a single payment certificate for progress on the Contract.

- F. The Contractor agrees that it will make no claim for damages, anticipated profits, or otherwise because of any difference between the amounts of work actually performed and materials actually furnished and the estimated amounts therefore.
- G. Where payment by scale weight is specified under certain items, the Contractor shall provide suitable weighing equipment which shall be kept in accurate adjustment at all times and certified. The weighing of all material shall be performed by the Contractor in the presence and under the supervision of KUC.
- H. All schedules included in the Contract Documents are given for convenience and are not guaranteed to be complete. The Contractor shall assume all responsibility for the making of estimates of the size, kind, and quantity of materials and equipment included in work to be done under this Contract.
- I. Where pipe fittings are noted on the Drawings, such notation is for the Contractor's convenience and does not relieve the Contractor from laying and jointing different or additional items where required.

### 1.3 CASH ALLOWANCES

- A. The Contractor shall include in the Total Bid Amount, all cash allowances stated in the Contract Documents. Items covered by these allowances shall be supplied for such amounts and by such persons as KUC may direct.
- B. The Contractor will obtain KUC's written acceptance before providing equipment, materials or other Work under a cash allowance. Payments under a cash allowance will be made based on actual costs, excluding costs of general conditions, handling, unloading, storage, installation, testing, etc, which will be considered to be included within the Contract Price. Payments within the limits of any Allowance will exclude overhead and profit and bond and insurance premiums, since those costs will be considered to be included within the Contract Amount. The Contractor shall submit appropriate documentation to validate the actual cost of the item.
- C. The amount of the allowance shall be adjusted accordingly by Change Order to recognize the allowable cost incurred by the Contractor.

### 1.4 WORK NOT PAID FOR SEPARATELY

- A. Delivery: Payment for equipment delivery, storage or freight shall be included in the pay items including their installation and no other separate payment will be made therefore.
- B. Bonds: Payment for bonds required by the Contract shall be included in the pay items for the Work covered by the required bonds and no separate payment will be made.
- C. Preparation of Site: Payment for preparation of site shall be included in pay items proposed for the various items of Work and no separate payment will be made therefore. Preparation of site includes setting up construction plant, offices, shops, storage areas, sanitary and other facilities required by the specifications or District law or regulations; providing access to the site; obtaining necessary permits and licenses; payments of fees; general protection, temporary heat and utilities including electrical power; providing shop and working drawings, certificates and schedules; providing required insurance; cleaning up; and all other work regardless of its nature which may not be specifically referred to in a Bid Item but is necessary for the complete construction of the project set forth by the Contract.
- D. Permitting & Permit Fees.

- E. KUC reserves the right to delete any item included in the Schedule of Values and decrease the Contract Price by the scheduled amount for the item deleted.

#### 1.5 MEASUREMENT AND PAYMENT

##### A. Methods of Measurement - Generally:

1. Units of measurement shall be defined in general terms as follows:
  - a. Linear Feet (LF)
  - b. Square Feet (SF)
  - c. Cubic Yards (CY)
  - d. Each (EA)
  - e. Lump Sum (LS)
2. Unit Price Contracts/Items:
  - a. Linear Feet (LF) shall be measured along the horizontal length of the centerline of the installed material, unless otherwise specified. Pipe shall be measured along the length of the completed pipeline, regardless of the type of joint required, without deduction for the length of valves or fittings. Pipe included within the limits of lump sum items will not be measured.
  - b. Square Feet (SF), Cubic Yards (CY), and Each (EA) shall be measured as the amount of the unit of measure installed and compacted within the limits specified and shown in the Specifications and Drawings. Slope angles and elevations shall be measured using land-surveying equipment. Contractor shall provide supporting documentation (i.e. drawings, delivery tickets, invoices, survey calculations, etc.) to verify actual installed quantities.

##### B. Lump Sum Contracts/Items - Generally:

1. Quantities provided in the Schedule of Values are for the purpose of estimating the completion status for progress payments. Payment will be made for each individual item on a percentage of completion basis as estimated by the Contractor and approved by KUC.
2. Adjustments to costs provided in the accepted Schedule of Values may be made only by Change Order.
3. KUC reserves the right to delete any item included in the Schedule of Values and decrease the Contract Price by the scheduled amount for the item deleted.

#### 1.6 MEASUREMENT AND PAYMENT ITEMS

- A. Only those bid items included in the Bid Schedule are applicable for this Contract. KUC has standardized the measurement and payment items. There are 32 bid items and are listed in Table A.

All of the bid items have measurement and payment descriptions. Several bid items in the Project Bid Schedule may be described with the same bid item measurement and payment description in Table A, "Measurement and Payment Items". The bid items in the Project Bid Schedule have measurement and payment items as follows:

Table A

BID ITEM	KUC South End Waste Rock Closure <b>MEASUREMENT AND PAYMENT ITEMS</b>
	<b>1 Reclaimed Surface Collection System</b>
1.0	<b>18" D50 Riprap</b>
	<p>a. Measurement: Measured in cubic yards of furnished and satisfactorily installed riprap used for downdrain channel, energy dissipation basin, and bench channel outlet locations.</p> <p>b. Payment: Payment will be made at the contract unit price bid per cubic yard as stated in the Bid Schedule including, but is not necessarily limited to, all labor, materials, and equipment necessary for the installation of downdrain channels, energy dissipation basins and bench channel outlets including construction surveying, grading, and riprap placement.</p>
2.0	<b>12" D50 Riprap</b>
	<p>a. Measurement: Measured in cubic yards of furnished and satisfactorily installed riprap used for downdrain channel, energy dissipation basin, and bench channel outlet locations.</p> <p>b. Payment: Payment will be made at the contract unit price bid per cubic yard as stated in the Bid Schedule including, but is not necessarily limited to, all labor, materials, and equipment necessary for the installation of downdrain channels, energy dissipation basins and bench channel outlets including construction surveying, grading, and riprap placement.</p>
3.0	<b>9" D50 Riprap Subgrade</b>
	<p>a. Measurement: Measured in cubic yards of furnished and satisfactorily installed riprap backing used for downdrain channel, energy dissipation basin, and bench channel outlet locations.</p> <p>b. Payment: Payment will be made at the contract unit price bid per cubic yard as stated in the Bid Schedule including, but is not necessarily limited to, all labor, materials, and equipment necessary for the installation of downdrain channels, energy dissipation basins and bench channel outlets including construction surveying, grading, and rock placement.</p>
4.0	<b>6" D50 Riprap Backing</b>
	<p>a. Measurement: Measured in cubic yards of furnished and satisfactorily installed riprap backing used for downdrain channel, energy dissipation basin, and bench channel outlet locations.</p> <p>b. Payment: Payment will be made at the contract unit price bid per cubic yard as stated in the Bid Schedule including, but is not necessarily limited to, all labor, materials, and equipment necessary for the installation of downdrain channels, energy dissipation basins and bench channel outlets including construction surveying, grading, and rock placement.</p>
5.0	<b>6" Minus Rock</b>
	<p>a. Measurement: Measured in cubic yards of furnished and satisfactorily installed rock</p>



	<p>material used for lining bench channels.</p> <p>b. Payment: Payment will be made at the contract unit price bid per cubic yard as stated in the Bid Schedule including, but is not necessarily limited to, all labor, materials, and equipment necessary for the installation of bench channels including construction surveying, grading, and rock placement.</p>
6.0	<b>3" Minus Riprap Backing</b>
	<p>a. Measurement: Measured in cubic yards of furnished and satisfactorily installed riprap backing used for downdrain channel, energy dissipation basin, and bench channel outlet locations.</p> <p>b. Payment: Payment will be made at the contract unit price bid per cubic yard as stated in the Bid Schedule including, but is not necessarily limited to, all labor, materials, and equipment necessary for the installation of downdrain channels, energy dissipation basins and bench channel outlets including construction surveying, grading, and rock placement.</p>
7.0	<b>Non-Woven Geotextile</b>
	<p>a. Measurement: Measured in square feet of furnished and satisfactorily installed geotextile used for energy dissipation basin locations.</p> <p>b. Payment: Payment will be made at the contract unit price bid per square feet as stated in the Bid Schedule including, but is not necessarily limited to, all labor, materials, and equipment necessary for the installation of non-woven geotextile at all energy dissipation basin locations.</p>
8.0	<b>24" Pipe Culvert</b>
	<p>a. Measurement: Measured in linear feet of furnished and satisfactorily installed pipe used at bench channel to downdrain channel transition locations.</p> <p>b. Payment: Payment will be made at the contract unit price bid per linear feet as stated in the Bid Schedule including, but is not necessarily limited to, all labor, materials, and equipment necessary for the installation of pipe culverts at bench channel to downdrain channel transition locations.</p>
9.0	<b>Bench Berms</b>
	<p>a. Measurement: Measured in linear feet of satisfactorily constructed berms installed along the outer extents of graded benches.</p> <p>b. Payment: Payment will be made at the contract unit price bid per linear feet as stated in the Bid Schedule including, but is not necessarily limited to, all labor, materials, and equipment necessary for the construction of the berms.</p>
	<b>2 Detention Basin Collection Systems</b>
10.0	<b>Excavation</b>
	<p>a. Measurement: Measured in actual cubic yards of soil material removed for the construction of detention basins and access roads.</p> <p>b. Payment: Payment will be made at the completion of excavation and placement of material in accordance with the grading plan.</p>

11.0	<b>Backfill</b>
	<p>a. Measurement: Measured in actual cubic yards of soil used for backfill for the construction of detention basins and access roads.</p> <p>b. Payment: Payment will be made at the completion of backfilling and placement of material in accordance with the grading plan.</p>
12.0	<b>Access Road</b>
	Not Used
13.0	<b>Outlet Structures</b>
	<p>a. Measurement: Measured is for each outlet structure.</p> <p>b. Payment: Payment will be made at the contract unit price bid per each outlet structure installed as stated in the Bid Schedule including, but is not necessarily limited to, completion of all reinforced concrete, metal work, and overflow piping. Steel reinforcement is incidental to this bid item.</p>
14.0	<b>Overflow Weir</b>
	<p>a. Measurement: Measured in linear feet of satisfactorily installed overflow weirs.</p> <p>b. Payment: Payment will be made at the contract unit price bid per linear feet as stated in the Bid Schedule including, but is not necessarily limited to, all labor, materials, and equipment necessary for the installation of overflow weirs at detention basins.</p>
15.0	<b>Permeable Rock Weir</b>
	<p>a. Measurement: Measured in linear feet of satisfactorily installed permeable rock weirs.</p> <p>b. Payment: Payment will be made at the contract unit price bid per linear feet as stated in the Bid Schedule including, but is not necessarily limited to, all labor, materials, and equipment necessary for the installation of permeable rock weirs at detention basins.</p>
16.0	<b>24" DR 17 HDPE</b>
	<p>a. Measurement: Measured in actual linear feet of furnished and satisfactorily installed piping from outlet structures to designated tie-in location regardless of depth.</p> <p>b. Payment: Payment will be made at the contract unit price bid per linear feet as stated in the Bid Schedule including, but is not necessarily limited to, all labor, materials, and equipment necessary for the installation of 24" HDPE piping including construction surveying, protection of existing utilities, structures, and property restoration clean-up.</p>
17.0	<b>24" DR 17 HDPE 90 degree joint</b>
	<p>c. Measurement: Measured for each installed</p> <p>d. Payment: Payment will be made at the contract unit price bid per each as stated in the Bid Schedule including, but is not necessarily limited to, all labor, materials, and equipment necessary for the installation of 90 degree joints, including construction surveying, protection of existing utilities, structures, and property restoration clean-up.</p>

18.0	<b>18" DR 17 HDPE</b>
	<p>e. Measurement: Measured in actual linear feet of furnished and satisfactorily installed piping from outlet structures to designated tie-in location regardless of depth.</p> <p>f. Payment: Payment will be made at the contract unit price bid per linear feet as stated in the Bid Schedule including, but is not necessarily limited to, all labor, materials, and equipment necessary for the installation of 18" HDPE piping including construction surveying, protection of existing utilities, structures, and property restoration clean-up.</p>
19.0	<b>Diversion Box</b>
	<p>a. Measurement: Measured is for each precast concrete diversion box.</p> <p>b. Payment: Payment will be made at the contract unit price bid per each precast concrete diversion box installed as stated in the Bid Schedule including, but is not necessarily limited to, installation of precast diversion box, bollards, and secondary outlet piping.</p>
20.0	<b>Clay Liner</b>
	<p>a. Measurement: Measured is in actual cubic yards of clay material used to line the bottom of the Castro Basin detention ponds.</p> <p>b. Payment: Payment will be made at the completion of liner installation for the Castro Basin detention ponds and providing either delivery tickets or survey data confirming volume of clay liner used.</p>
21.0	<b>French Drain</b>
	<p>a. Measurement: Measured in actual linear feet of furnished and satisfactorily installed french drain from existing upper Castro cutoff wall to location where french drain daylights.</p> <p>b. Payment: Payment will be made at the contract unit price bid per linear feet as stated in the Bid Schedule including, but is not necessarily limited to all labor, materials, and equipment necessary for installation of 12" RCP pipe, surrounding RCP pipe with at least 2 feet of clean gravel on all sides, and wrapping gravel section with geotextile filter fabric.</p>
22.0	<b>20" DR 11 HDPE Replacement Pipe</b>
	<p>a. Measurement: Measured in actual linear feet of furnished and satisfactorily installed piping and proper abandonment or disposal of existing pipe to be replaced regardless of depth.</p> <p>b. Payment: Payment will be made at the contract unit price bid per linear feet as stated in the Bid Schedule including, but is not necessarily limited to, all labor, materials, and equipment necessary for the abandonment or disposal of existing piping to be replaced and installation of new HDPE piping including construction surveying, protection of existing utilities, structures, and property restoration clean-up.</p>
23.0	<b>24" DR 17 HDPE Replacement Pipe</b>
	<p>a. Measurement: Measured in actual linear feet of furnished and satisfactorily installed piping and proper abandonment or disposal of existing pipe to be replaced regardless</p>

	<p>of depth.</p> <p>b. Payment: Payment will be made at the contract unit price bid per linear feet as stated in the Bid Schedule including, but is not necessarily limited to, all labor, materials, and equipment necessary for the abandonment or disposal of existing piping to be replaced and installation of new HDPE piping including construction surveying, protection of existing utilities, structures, and property restoration clean-up.</p>
<b>24.0</b>	<b>14" DR 11 HDPE Replacement Pipe</b>
	<p>a. Measurement: Measured in actual linear feet of furnished and satisfactorily installed piping and proper abandonment or disposal of existing pipe to be replaced regardless of depth.</p> <p>b. Payment: Payment will be made at the contract unit price bid per linear feet as stated in the Bid Schedule including, but is not necessarily limited to, all labor, materials, and equipment necessary for the abandonment or disposal of existing piping to be replaced and installation of new HDPE piping including construction surveying, protection of existing utilities, structures, and property restoration clean-up.</p>
<b>25.0</b>	<b>14" SDR 17 HDPE Replacement Pipe</b>
	<p>a. Measurement: Measured in actual linear feet of furnished and satisfactorily installed piping and proper abandonment or disposal of existing pipe to be replaced regardless of depth.</p> <p>b. Payment: Payment will be made at the contract unit price bid per linear feet as stated in the Bid Schedule including, but is not necessarily limited to, all labor, materials, and equipment necessary for the abandonment or disposal of existing piping to be replaced and installation of new HDPE piping including construction surveying, protection of existing utilities, structures, and property restoration clean-up.</p>
<b>26.0</b>	<b>32" DR 17 HDPE Replacement Pipe</b>
	<p>a. Measurement: Measured in actual linear feet of furnished and satisfactorily installed piping and proper abandonment or disposal of existing pipe to be replaced regardless of depth.</p> <p>b. Payment: Payment will be made at the contract unit price bid per linear feet as stated in the Bid Schedule including, but is not necessarily limited to, all labor, materials, and equipment necessary for the abandonment or disposal of existing piping to be replaced and installation of new HDPE piping including construction surveying, protection of existing utilities, structures, and property restoration clean-up.</p>
<b>27.0</b>	<b>36" HDPE SDR 17 Replacement Pipe</b>
	<p>a. Measurement: Measured in actual linear feet of furnished and satisfactorily installed piping and proper abandonment or disposal of existing pipe to be replaced regardless of depth.</p> <p>b. Payment: Payment will be made at the contract unit price bid per linear feet as stated in the Bid Schedule including, but is not necessarily limited to, all labor, materials, and equipment necessary for the abandonment or disposal of existing piping to be replaced and installation of new HDPE piping including construction surveying, protection of existing utilities, structures, and property restoration clean-up.</p>

28.0	<p><b>20" HDPE SDR 26 Replacement Pipe</b></p> <p>a. Measurement: Measured in actual linear feet of furnished and satisfactorily installed piping and proper abandonment or disposal of existing pipe to be replaced regardless of depth.</p> <p>b. Payment: Payment will be made at the contract unit price bid per linear feet as stated in the Bid Schedule including, but is not necessarily limited to, all labor, materials, and equipment necessary for the abandonment or disposal of existing piping to be replaced and installation of new HDPE piping including construction surveying, protection of existing utilities, structures, and property restoration clean-up.</p>
29.0	<p><b>42" HDPE SDR 17 Replacement Pipe</b></p> <p>a. Measurement: Measured in actual linear feet of furnished and satisfactorily installed piping and proper abandonment or disposal of existing pipe to be replaced regardless of depth.</p> <p>b. Payment: Payment will be made at the contract unit price bid per linear feet as stated in the Bid Schedule including, but is not necessarily limited to, all labor, materials, and equipment necessary for the abandonment or disposal of existing piping to be replaced and installation of new HDPE piping including construction surveying, protection of existing utilities, structures, and property restoration clean-up.</p>
30.0	<p><b>18" HDPE SDR 17 Replacement Pipe</b></p> <p>a. Measurement: Measured in actual linear feet of furnished and satisfactorily installed piping and proper abandonment or disposal of existing pipe to be replaced regardless of depth.</p> <p>b. Payment: Payment will be made at the contract unit price bid per linear feet as stated in the Bid Schedule including, but is not necessarily limited to, all labor, materials, and equipment necessary for the abandonment or disposal of existing piping to be replaced and installation of new HDPE piping including construction surveying, protection of existing utilities, structures, and property restoration clean-up.</p>
31.0	<p><b>42" HDPE SDR 26 Replacement Pipe</b></p> <p>a. Measurement: Measured in actual linear feet of furnished and satisfactorily installed piping and proper abandonment or disposal of existing pipe to be replaced regardless of depth.</p> <p>b. Payment: Payment will be made at the contract unit price bid per linear feet as stated in the Bid Schedule including, but is not necessarily limited to, all labor, materials, and equipment necessary for the abandonment or disposal of existing piping to be replaced and installation of new HDPE piping including construction surveying, protection of existing utilities, structures, and property restoration clean-up.</p>
32.0	<p><b>14" HDPE SDR 26 Replacement Pipe</b></p> <p>a. Measurement: Measured in actual linear feet of furnished and satisfactorily installed piping and proper abandonment or disposal of existing pipe to be replaced regardless of depth.</p> <p>b. Payment: Payment will be made at the contract unit price bid per linear feet as stated in the Bid Schedule including, but is not necessarily limited to, all labor, materials, and equipment necessary for the abandonment or disposal of existing piping to be</p>

	replaced and installation of new HDPE piping including construction surveying, protection of existing utilities, structures, and property restoration clean-up.
--	---

**PART 2 PRODUCTS**

NOT USED.

**PART 3 EXECUTION**

NOT USED.

**END OF SECTION**

**SECTION 01310  
CLOSEOUT REQUIREMENTS**

**PART 1      GENERAL**

1.1      SECTION INCLUDES

- A.      This Section identifies procedures which shall be completed prior to Final Acceptance of Work by OWNER'S REPRESENTATIVE.

1.2      DEFINITIONS

- A.      Closeout: The process of completing a Construction Contract to allow release of all retainage and settling of the Final Contract Amount.
- B.      Final Acceptance: The date after final completion when all submittals have been satisfactorily made and accepted, all "as-builts" have been completed and accepted, all Change Orders executed and all Contract closeout activities have been agree upon.
- C.      Final Inspection: Inspection by OWNER'S REPRESENTATIVE after notification by CONTRACTOR that all punch list items are complete and the work is ready for final inspection.
- D.      Final Notification from CONTRACTOR: A notice to OWNER'S REPRESENTATIVE that all punch list items are complete and the work is ready for final inspection.
- E.      CONTRACTOR's Punch List: A list developed by CONTRACTOR containing items requiring work to be done by CONTRACTOR to complete contract scope of work. This list will be developed from the 80% work remaining list and kept current until CONTRACTOR is ready for OWNER'S REPRESENTATIVE's inspection.
- F.      OWNER'S REPRESENTATIVE's Punch List: A list developed by OWNER'S REPRESENTATIVE in conjunction with OWNER containing items requiring work to be done by CONTRACTOR to complete the scope of Contract work.

1.3      SUBMITTALS

- A.      Safety Plan: The record copy of the accepted safety plan shall include:
  - 1.      All amendments accepted by OWNER'S REPRESENTATIVE.
  - 2.      A list of all personnel accepted by OWNER'S REPRESENTATIVE as CONTRACTOR and Subcontractor safety personnel.
  - 3.      A copy of all job hazard analysis completed for the work.
  - 4.      A copy of all tool box meetings with attendees signatures.
  - 5.      A copy of all accepted subcontractor safety plans, job hazard analysis and tool box meetings.
  - 6.      A copy of all safety meeting notes.
- B.      Erosion and Sediment Control: A record copy of the accepted Water Removal and Management Plan including maps. Additional items to accompany this submittal including:
  - 1.      All correspondence CONTRACTOR has with any government agency concerning erosion or sediment control or air and water pollution.
  - 2.      All weekly erosion reports.
- C.      Hazardous and Regulated Materials: A record copy of the hazardous material plan shall be submitted. Additional items to submit with the plan are:

1. List of all hazardous or regulated materials delivered and/or stored on-site during the work.
  2. List stating the quantity of hazardous and regulated materials delivered and/or stored on-site.
  3. Description of where the material was used and how much was used.
  4. Description of final deposition of material not used. The description shall also state where the unused material was disposed and include a copy of all disposal documents.
  5. Copy of Material Safety Data Sheets (MSDS) for all materials delivered and/or stored on-site. OWNER'S REPRESENTATIVE shall audit the copies of all MSDS sheets.
- D. All Quality Control Records including but not limited to:
1. Accepted quality control plans.
  2. QC laboratory inspection reports and any follow up on deficiencies noted.
  3. Copy of all QC testing, reports including copies of accepted corrections and notices of failed tests.
  4. Daily QC field inspection reports.
  5. List of test procedures used, material tested and test results.
  6. The results of any performance test run to develop the procedures by which to perform work.
  7. Non-conformance Report (NCR) Log: A list of all NCRs that were issued during the performance of the Contract.
  8. A copy of all NCR's. All NCR's must be closed out prior to Final Acceptance.
  9. Corrective Action Reports and Log: A copy of all Corrective Action Reports and the final log.
- E. "As-Built" Schedule: Submit an "as-built" schedule which shall show the actual activities and with dates performed from Notice to Proceed to final completion. This schedule shall show the actual start and finish dates for all activities.
- F. Warranties: Warranties shall be submitted in accordance with Section 01320
- G. Quantity Verification: For Contracts with unit prices documents shall be submitted supporting the final quantities. A partial list of the type of documentation needed includes:
1. All weight slips, delivery receipts, etc..
  2. Scale certifications.
  3. Surveyor notes and calculations.
  4. Drill logs.
  5. In-place material corings.
  6. Sketches showing what work was installed, where it was installed and the field measure made to determine the final quantities.
- H. "As-Built" Record Drawings
- I. "As-Built" Specifications, if any
- J. Temporary Facilities: Information on temporary facilities left in place.
- K. Daily Construction Reports: Complete record copy of all daily construction reports. The records shall have a report for each calendar day of the Contract. If no work was performed then the report should indicate no work.
- L. Approved Submittals: Record copy of all approved submittals shall be turned in to OWNER'S REPRESENTATIVE.



- M. Keys: All keys and all copies of keys shall be identified as to use, location and quantity. These keys shall all be turned over to OWNER'S REPRESENTATIVE.
- N. Overstocked Materials and Intentionally Provided Replacement Parts: Overstock includes Contract required spare materials, materials ordered by CONTRACTOR and paid by OWNER, but not used and Contract required maintenance tools and supplies.
  - 1. Communication Logs: Record copy of all logs for project documents are to be provided.
  - 2. O&M Manuals shall be provided.
  - 3. List of provided replacement parts, model numbers, and location stored.
- O. Other Contract Closeout documents required.

**PART 2 PRODUCTS**

NOT USED

**PART 3 EXECUTION**

**3.1 GENERAL**

The following actions must be successfully completed prior to Final Acceptance. This work shall be closely coordinated with the OWNER'S REPRESENTATIVE.

- A. Startup and Testing: All equipment startup and testing shall be completed in accordance with applicable Technical Specification Sections.
- B. OWNER'S REPRESENTATIVE's Inspection: Upon written notification from the CONTRACTOR that Work is complete and prior to system startup, OWNER'S REPRESENTATIVE shall inspect Work to determine that Work has been completed in accordance with the Contract Documents.
- C. If during the inspection it is determined by OWNER'S REPRESENTATIVE that Work has not been completed in accordance with Contract Documents, the inspection may be stopped. OWNER'S REPRESENTATIVE at this time may issue a Change Order deducting from payments due CONTRACTOR the cost of this terminated inspection. The Change Order backup shall explain the basis of the deduction and the calculations used in determining the amount. These deductions shall include all costs associated with such premature inspection.
- D. Final Inspection:
  - 1. CONTRACTOR shall notify OWNER'S REPRESENTATIVE at the completion of all items listed on OWNER'S REPRESENTATIVE's Punch List. Upon receipt of this notice, OWNER'S REPRESENTATIVE shall schedule Final Inspection. Attendees shall include OWNER'S REPRESENTATIVE, CONTRACTOR and OWNER.
  - 2. Inspection shall include, but not be limited to, the following:
    - a. Verify punch list items are complete.
    - b. Verifying all damaged or destroyed real, personal, public or private property has been repaired or replaced.
    - c. Cleanup has been completed.
    - d. Grading and seeding completed.
    - e. All cutting and patching approved by OWNER'S REPRESENTATIVE.

- f. All specialty tools required by Operations and Maintenance, but used during construction, have been turned over to OWNER'S REPRESENTATIVE.
- E. Cleanup: At a minimum, cleanup shall be performed in accordance with the following guidelines:
  - 1. CONTRACTOR shall remove all: unused or unwanted waste materials or debris; tools, and equipment, such as, scaffolding, temporary structures, and facilities, such as fencing and sanitary facilities.
  - 2. CONTRACTOR shall clean and replace broken or scratched equipment, clean and repair all surfaces and clean and adjust all units of equipment which are part of the systems. All cleaning must be performed before a final inspection is given.
  - 3. Remove dirt, dust, litter, corrosion, solvents, discursive paint, stains and extraneous markings.
  - 4. Remove surplus materials, except those materials intended for maintenance.
  - 5. Remove all tools, appliances and equipment used in the construction.
  - 6. Repair damaged materials to the specified finish or remove and replace.
  - 7. Clean all catch basins, manholes, drains, strainers, tanks, sumps and filters. Floors, steps and walks shall be swept.
  - 8. Final cleanup applies to all areas, whether previously occupied and operational or not.
  - 9. Blade and top off, if necessary, unpaved roads which have deteriorated due to CONTRACTOR use.
- F. Training: Unless otherwise approved by OWNER'S REPRESENTATIVE, training of OWNER's operation and maintenance personnel shall be performed AFTER substantial completion notification by CONTRACTOR. This training is to be scheduled through OWNER'S REPRESENTATIVE.
- G. Removal of Temporary Facilities: All temporary facilities that are not shown on the Contract Drawings or are shown to be removed at Contract completion shall be removed, including: offices, batch plants, storage items, storage buildings, storage yards, fencing, gravel, maintenance facilities and utilities.
- H. Contract Record Documents: All Contract Record Documents shall be submitted

### 3.2 NOTIFICATION

- A. Upon completion of the above, CONTRACTOR shall give written notification of Final Completion to OWNER'S REPRESENTATIVE. This notification should state that Final Inspection has been completed, that all Contract requirements for Final Cleanup have been satisfied, that all Contract Record Documents have been submitted and accepted.

### 3.3 FINAL ACCEPTANCE

- A. Consent of Surety: Provide consent of surety to release all retainage.
- B. Sales Tax: Provide confirmation that all sales taxes have been paid.
- C. Wage Payments: CONTRACTOR shall provide written confirmation to OWNER'S REPRESENTATIVE that all wages have been paid.
- D. Completion of Training and O&M Manual: CONTRACTOR shall confirm that all training of OWNER/Operation personnel is complete. This completion of training includes all required photographs and videos being submitted and accepted.
- E. The O&M manuals shall be revised to reflect any last minute changes during startup and testing, and during training.

- F. Final Adjustment to Contract Amount: Final adjustment to the Contract Amount shall be made by a Change Order.
- G. Types of adjustments to be made include, but are not limited to:
1. Credit for NCR's and RAR's/
  2. Credit for substitutions.
  3. Credit due to reduced thickness of material.
  4. Credit for reduced testing.
  5. Credit for less than specified finish such as roughness.
  6. Reduction to compensate for damaged property.
  7. Reduction to pay for environmental fines.
  8. Credit for results of audits on Change Orders and amendment pricing.
  9. Reduction due to final field surveyed quantities.
  10. Reduction for re-inspection.
  11. Reduction for cleanup performed by others after CONTRACTOR was notified and failed to cleanup.
- H. Lien Releases: To accomplish final settlement, final lien releases from CONTRACTOR and all subcontractors shall be provided.
- I. Payment Value to Subcontractor/Suppliers: As a part of the final settlement, provide a list of all actual payments to subcontractors and suppliers. This list must equal the final lien releases. Any deduction by CONTRACTOR for deficiencies by subcontractor or supplier shall be agreed to by the subcontractor or supplier.

**END OF SECTION**

**SECTION 01320  
WARRANTIES AND BONDS**

**PART 1 GENERAL**

1.1 SECTION INCLUDES:

- A. This Specification Section covers the following:
  - 1. Warranty requirements for purchased materials and equipment.
  - 2. Warranty requirements for work that is prosecuted by CONTRACTOR.
  - 3. Supplementary information which supports technical specifications.

1.2 DEFINITIONS

- A. Final Acceptance: The date when all work has been accepted, including all punch list items and all cleanup activities, all record documents have been submitted and approved by OWNER'S REPRESENTATIVE, and all contract changes have been settled.
- B. Defective Equipment: Equipment, including all components and parts of equipment, which does not perform or adequately perform all of its intended functions due to latent defects in or improper installation of equipment. This is not meant to include substandard performance or operation due to normal wear and tear or improper operation of equipment by OWNER.

1.3 SUBMITTALS

- A. Submit unsigned facsimiles of CONTRACTOR's and/or Manufacturer's proposed warranties to OWNER'S REPRESENTATIVE for approval
- B. The original signed warranty shall be submitted for Record within 7 days of successful completion of equipment startup testing. Additionally, 6 copies shall be submitted at this time, which will be inserted into the O & M Manuals by OWNER'S REPRESENTATIVE.

1.4 WARRANTY REQUIREMENTS

- A. Manufacturer's Warranties:
  - 1. Manufacturer's warranties shall cover all materials, labor and incidental expenses to repair or replace defective equipment during the specified warranty period.
  - 2. Warranty shall also provide for compensation to OWNER for damage caused by defective equipment OWNER's facility and equipment.
  - 3. Manufacturer shall warrant prompt repair of defective equipment so as to minimize downtime to OWNER. In the event that Manufacturer cannot be contacted or does not respond in a timely manner, OWNER may seek and utilize qualified persons or companies to repair the defective equipment, in which case Manufacturer shall be charged for work by others.
  - 4. Manufacturer shall warrant that equipment and materials are new and that they meet or exceed the specifications.
  - 5. Manufacturer shall warrant that material or equipment is free from defects in workmanship and material.
  - 6. Manufacturer's warranty shall be furnished for the time period of one year, unless otherwise specified in the Technical Specifications. The warranty period begins upon OWNER'S REPRESENTATIVE's acceptance of startup of the equipment.
- B. CONTRACTOR's Warranty:
  - 1. Furnish CONTRACTOR's warranty for the time period of one year from Final Acceptance, or as specified in the Technical Specifications.

C. The Warranty shall:

1. Warrant all workmanship and CONTRACTOR furnished materials against all latent defects which are not caused due to normal wear and tear sustained by normal use.
2. Warrant prompt repair of defective CONTRACTOR furnished material and all CONTRACTOR workmanship. Defects shall be corrected immediately upon notification. In the event that CONTRACTOR cannot be contacted or does not respond in a timely manner, OWNER may seek and utilize qualified persons or companies to repair the defective equipment, in which case CONTRACTOR shall be charged for work by others.
3. Warrant that CONTRACTOR furnished equipment and materials are new, unless otherwise stated.
4. Furnish and submit Manufacturer's warranty for CONTRACTOR furnished equipment, where applicable, in accordance with this Section.

1.5 BOND REQUIREMENTS

- A. CONTRACTOR will provide a construction performance bond in the amount of the contract provided by a reputable licensed bonding company and approved by the OWNER'S REPRESENTATIVE.

**PART 2 PRODUCTS**

NOT USED

**PART 3 EXECUTION**

NOT USED

**END OF SECTION**

**SECTION 01410  
TEMPORARY EROSION CONTROL**

**PART 1        GENERAL**

**1.1        SECTION INCLUDES**

- A.        Requirements for controlling erosion and capturing sediment laden runoff from leaving prescribed areas under the Contractor's control.
- B.        Requirements for installing, inspecting, maintaining, and removing erosion and sediment control measures.

**1.2        GENERAL REQUIREMENTS**

- A.        Contractor shall implement erosion control measures as required to prevent erosion of excavations, fills, haul roads, drainage channels, borrow areas, tailings embankment slopes, stockpiles, reclamation areas and any other areas where erosion develops as a result of construction activities.
- B.        The measures for controlling erosion shall consist of structural methods and soil stabilization methods.
  - 1.        Structural methods may include the erection of earthen dikes and berms, slope drains, check dams, drainage swales and ditches, sediment structures such as silt fences, fiber rolls contour ditching and water quality ponds.
  - 2.        Soil stabilization may include the use of temporary and permanent seeding mulching, hydromulching, tackifiers, liquid copolymers, geotextiles, and riprap. Geotextiles shall not be used on within the impoundment or embankment areas without written approval by the Engineer.
- C.        Coordinate temporary erosion control measures with permanent erosion control requirements.

**1.3        REFERENCES**

- A.        UPDES General permit for Storm Water Discharges from Construction Activities that are Classified as "Associated with Industrial Activity," permit No. UTR300000.
- B.        U.S. Army Corps of Engineers (USACOE) 404 Permit
- C.        UPDES Permit Nos. 0000051, 0000388, and 0000477
- D.        Utah Administrative Code, R307-205 Environmental Quality, Air Quality, Emission Standards: Fugitive Emissions and Fugitive Dust
- E.        Kennecott Utah Copper Corporation, Storm Water Pollution Prevention Plan (SWPPP)
- F.        U. S. Environmental Protection Agency (EPA), "Storm Water Management for Construction Activities, Developing Pollution Plans and Best Management Practices," EPA 832-R-92-005, September 1992
- G.        State of Utah Land Reclamation Act, Title 40 Chapter 8 Utah Code Rules R613-UDOGM
- H.        OSHA 29 CFR 1910 – General Industry Safety and Health Standards
- I.        OSHA 20 CFR 1926 – Construction Industry Safety and Health Standards
- J.        MSHA 30 CFR 56 – Mine Safety and Health Regulations

K. AASHTO M 288 – Geotextile Specifications for Highway Applications

1.4 REGULATORY REQUIREMENTS

A. Conform to the requirements of applicable OSHA and MSHA, Clean Water Act, UPDES, and SWPPP regulations and requirements in performing erosion control operations.

1.5 SUBMITTALS

A. Submit a detailed Erosion Control Plan at least 30 days before start of work, identifying the specific control methods, preventative measures, and all schedules for accomplishing temporary erosion control. The plan shall include berms, ditches, sedimentation ponds, straw bales, silt fences, fiber rolls and other barriers as required to control erosion and sedimentation. The plan shall also describe the use of stabilization measures including watering, tackifiers, seeding mulching, riprapping, use of geotextiles, liquid copolymers, and minimization of work areas. The plan shall describe site specific erosion control for Contractor's yard and work areas, fueling and fuel storage areas, access roads, stockpiles, embankment slopes, excavations; disposal areas, and stream diversions. The plan shall comply with all applicable Permit and Owner requirements.

B. A Contract specific Surface Water Pollution Prevention Plan per the requirements of Specification 02120: Construction Dewatering.

C. Samples of all materials proposed for use in erosion control.

D. All manufacturer's product certificates.

E. Contractor inspection reports per the SWPPP.

F. Qualifications of Contractor's inspectors.

G. All above items except Contractor inspection reports shall be submitted

1.6 QUALITY ASSURANCE

A. Provide qualified SWPPP inspectors acceptable to Manager to determine and ensure Contractor compliance with project erosion control requirements at all times. Uncorrected erosion or any erosion control measures found unsatisfactory shall be immediately corrected as directed by Manager.

1.7 WARRANTY

A. Warrant that the erosion control requirements for this Project shall be met. Contractor shall also warrant the installation and operation of material and equipment are in accordance with Contract Document requirements. Refer to Section 01320: Warranties and Bonds for complete warranty requirements.

B. If work is not remedied within reasonable time, as fixed by written notice from Manager, Manager may correct such at Contractor's expense.

**PART 2 PRODUCTS**

2.1 GENERAL

A. Acceptable materials of construction include seeding, mulching, tackifiers, liquid copolymers, geotextiles, fiber rolls.

2.2 TEMPORARY SEEDING (BORROW AREA & GROWTH STOCKPILES)

A. Seed: Seed for temporary erosion control shall be as follows:

Botanical Name	Common Name	Pounds Pure Live Seed/Acre
<i>Elytrigia intermedia</i>	Intermediate Wheatgrass	2.5
<i>Pseudoroegneria Spicata</i>	Bluebunch Wheatgrass	2.5
<i>Achantherum hymenoides</i>	Indian Rice Grass	2.0
<i>Elymus elymoides</i>	Bottlebrush Squirreltail	1.5
<i>Poa sandbergii</i>	Sandberg Bluegrass	1.5
<i>Medicago sativa</i>	Alfalfa	0.75
<i>Agropyron cristatum</i>	Crested Wheatgrass	0.5
<i>Hedysarum boreale</i>	Northern Sweetvetch	1.25
	Total	12.50

The application rate shall be 12.50 lbs/acre.

B. Seed Classification: Seed of the latest season's crop shall be provided in original sealed packages bearing the producer's guaranteed analysis for percentages of mixture, purity, germination, hard seed, weed seed content, and inert material.

C. Quality: Weed seed shall not exceed 1 percent by weight of the total mixture. Wet, moldy, or otherwise damaged seed shall be rejected.

2.3 TEMPORARY SEEDING

A. Seed: Seed for temporary erosion control shall be as follows:

Botanical Name	Common Name	Pounds Pure Live Seed/Acre
<i>Agropyron x Triticum</i>	Wheat x Wheatgrass hybrid	50*

\*Specified rate is for drill seeding only. If an area cannot be drill seeded, the application rate shall be 90 lbs/acre.

B. Seed Classification: Seed of the latest season's crop shall be provided in original sealed packages bearing the producer's guaranteed analysis for percentages of mixture, purity, germination, hard seed, weed seed content, and inert material.

C. Quality: Weed seed shall not exceed 1 percent by weight of the total mixture. Wet, moldy, or otherwise damaged seed shall be rejected.

2.4 MULCH

A. Mulch shall consist of a commercial wood cellulose fiber such as conweb, silva-fiber, ecofiber or equivalent. The application rate shall be 1,500 pounds of dry mulch per acre. Mulch shall be free from weeds, mold, and other deleterious materials.

2.5 TACKIFIER

A. Tackifier shall consist of M-Binder produced by Ecology Controls or Manager-approved equal. Application rate shall be 100 pounds per acre.

2.6 GEOTEXTILE

A. Geotextiles shall be stock products meeting the following minimum average roll values:



Property	Unit	Value	Test Method
Grab Strength	Pounds	250 MD 250 XD	ASTM D4632
Elongation at break	%	15MD 15 XD	ASTM D4632
Puncture	Pounds	140	ASTM D4833
AOS	U. S. Standard Sieve	50	ASTM D4751

2.7 LIQUID COPOLYMER

- A. Liquid copolymer shall be applied in a soil stabilizing emulsion capable of stabilizing slopes consisting of fine sandy soils. After curing, the copolymer shall not re-emulsify and shall form a transparent interlocking matrix effectively binding soil particles. The rate and depth of application shall be sufficient to hold soil particles for a minimum of 24 months following application. Contractor shall furnish a certificate from the Manufacturer certifying that the rate and depth of application will provide a protective barrier to both wind and water erosion for the length of time specified.
- B. The liquid copolymer emulsion product shall contain 60 percent solids and shall be Marloc as prepared by Reclamare Company of Seattle, WA. (tel No. 206-824-2385), or Manager -approved equal.

2.8 FIBER ROLL

- A. Fiber roll such as Curlex Sediment log, Premier Straw Wattle, EXWattle, Rice Straw Wattle, Sedi Max, or equivalent.
  - 1. Minimum weight: 2 lbs. per linear foot
- B. Wood Stakes: – 1 square inch by 18 inches long

2.9 CHECK DAMS

- A. Stone -, well graded, within 2 to 6 inches in diameter

2.10 SILT FENCE

- A. Silt Fence Fabric – Refer to AASHTO M 288, Table 6 – Temporary Silt Fence Property Requirements
- B. Wood Post – Nominal 2 inch square by 4 feet long
- C. Fasteners – Staples, wire, zip ties, or nails sufficient to maintain fabric attachment to post

2.11 SLOPE DRAIN

- A. Pipe Culverts
- B. Riprap – Refer to Section 02260
- C. Wood Stakes – Nominal 2 inch square by 3 feet long

2.12 TEMPORARY BERM

- A. Existing Soil

2.13 SEDIMENT TRAP

- A. Riprap – Refer to Section 02260

## **PART 3 EXECUTION**

### **3.1 CONSTRUCTION REQUIREMENTS**

- A. Contractor shall not proceed with the work until the Erosion Control Plan and schedules have been approved by Manager. Any work started by Contractor contrary to the Drawings, Specifications or instructions of Manager, beyond the lines and grades shown on the plans or any extra work started without authorization of Manager, may be ordered removed or replaced at Contractor's expense.
- B. Contractor shall repair all erosion damage to partially completed or completed works, at no additional cost to the Owner, to the original lines and grades shown on the Drawings, and using the same materials and construction specifications applicable to the damaged works.
- C. Contractor shall provide immediate permanent or temporary pollution control measures to prevent contamination of adjacent property, streams, other watercourses or water impoundment areas in accordance with Section 02120: Construction Dewatering.
- D. Sediment controls will be required for all side-slope and down-slope construction area boundaries.
- E. The surface area of erodible earth material exposed at one time without stabilization shall not exceed 1,000,000 square feet for clearing and grubbing and 1,000,000 square feet for earthwork operations, without the approval by Manager.
- F. Contractor's erosion controls shall also be applied to construction facilities such as borrow pits, stockpiles, haul roads, railroad beds, and equipment storage sites.
- G. If required, Contractor shall employ non-vegetative stabilization measures, such as application of geotextiles or riprap as soon as practicable in areas where construction activities have temporarily or permanently ceased, but at least within 7 days of cessation, unless precluded by snow. If stabilization is precluded by snow cover, stabilization measures shall be initiated as soon as practicable thereafter and any required erosion repair shall be performed as part of the stabilization work.

### **3.2 STRUCTURAL EROSION CONTROL METHODS**

- A. Contractor shall employ structural erosion control measures including clay dikes and berms, slope drains, check dams, drainage swales, sediment structures, contour ditching and water quality ponds as required by the approved Erosion Control Plan to ensure the compliance of on-going construction activities with the referenced regulatory requirements.

### **3.3 SEEDING**

- A. Contractor shall apply temporary seeding to all cut and fill slopes which will remain exposed for six months or longer and for which permanent seeding is not prescribed on the Drawings, and to all other areas disturbed by construction activities where appropriate to provide effective erosion control for a period in excess of six months. Slopes constructed of rock materials are exempted from the above requirement. Seeding shall be limited to the spring and fall planting seasons. Areas of existing vegetation outside construction areas shall not be disturbed. Contractor shall provide watering required to prepare the area prior to seeding and any watering required after seeding until such time as the vegetation has become established and can survive without such watering.

- B. Seeding shall be accomplished using drilling, broadcasting or hydroseeding methods. Seed that is broadcast or hydroseeded shall be covered by raking or dragging a light harrow over the seeded area.
- C. Mulching:
  - 1. Hydromulching: The seeded areas shall be mulched immediately following seeding. Hydromulch shall be applied uniformly at the specified rate.
  - 2. Areas not properly mulched or damaged shall be repaired and remulched or tackified at Contractor's expense.
- D. Tackifier: In the areas where mulching cannot be used or where it is used but does not hold the seed in place, the specified tackifier shall be applied at the specified rate.
- E. Erosion Control Mat: Contractor shall place erosion control mats on areas steeper than 4:1 (horizontal to vertical slopes.)

#### 3.4 APPLICATION OF LIQUID COPOLYMER

- A. Copolymers shall be applied at a rate and method sufficient to uniformly and effectively bind soil particles to a depth necessary to meet the required erosion performance standard but no less than ¼ inch. Contractor shall determine if the proposed application rate is effective by testing a 20 foot by 20 foot section of the area to be treated using the proposed rate and method. The test section should be located on the maximum slope of the area to be treated. Contractor shall then spray 300 gallons of water onto the test plot in 5 minutes using multiple holes. If no surface erosion is evident after the water application, the application rate and method is acceptable. Contractor shall inform Manager prior to constructing test plot or spraying water. Contractor shall document test. The application rate and depth shall be at least the minimum recommended by the Manufacturer.
- B. Hydraulic equipment used to apply the copolymer emulsion shall be calibrated to ensure even application of the product.
- C. Prior to application, the surface of the soil shall be wetted to a depth equal to or greater than the depth which the copolymer must penetrate.
- D. The rate of application shall not result in runoff of the copolymer and shall ensure penetration to a depth necessary to meet performance standards. Two application of the product, the second application immediately following the first, may be necessary to avoid runoff and ensure proper penetration.
- E. To meet erosion performance standards and prevent fracturing of the surface following curing, the specified mulch may be added to the liquid copolymer during application, at a rate that will provide additional binding of the soil.

#### 3.5 FIELD QUALITY CONTROL

- A. Contractor shall perform the following inspections and quality control activities. If any deficiencies are revealed during any inspections, such deficiencies shall be corrected by Contractor at no expense to Owner.
- B. Throughout the duration of the Contract, Contractor shall inspect construction areas to assess the need for implementation of erosion control measures. Contractor shall also assess the performance and adequacy of erosion control work which has previously been performed. Contractor shall inspect areas disturbed by construction activities, areas used for open material storage, water management and erosion control facilities, cut and fill slopes, stockpiles, borrow areas, and roads to ensure that specific pollution prevention and sediment control procedures contained in the approved Erosion Control Plan and

SWPPP are being observed. Qualification of Contractor inspectors shall require pre-approval by Manager. Inspections shall be conducted according to the following schedule:

1. Routine inspections every seven calendar days. During arid seasons, and only after temporary or final stabilization is complete, the frequency of routine inspections can be decreased to monthly, if approved by Manager.
  2. Special inspections within 24 hours following rainstorms with 0.5 inches or more of precipitation.
- C. Contractor shall document the scheduled inspections on forms that will be submitted to Manager no later than 3 working days after the date of each inspection. Contractor shall note on the form any evidence of equipment insufficiency or malfunctions, or evidence that pollutants are entering the drainage system or being tracked from the site. Contractor shall notify Manager and correct the condition immediately.
1. Forms documenting inspections should include the following:
    - a. Data and time of inspection
    - b. Construction Project Inspector
    - c. Amount of rainfall
    - d. Erosion and sediment control devices inspected
    - e. Condition of sediment and erosion control devices
    - f. Repairs needed
    - g. Date repair is completed
- D. Minimum Device Maintenance:
1. Silt Fences:
    - a. Remove accumulated sediment once it builds up to one-half of the height of the fabric.
    - b. Replace damaged fabric, or patch with a 2-foot minimum overlap.
    - c. Make other repairs as necessary to ensure that the fence is filtering all runoff directed to the fence.
  2. Hay bale Barriers:
    - a. Remove accumulated sediment once it builds up to one-half of the height of the hay bales.
    - b. Replace damaged hay bales.
    - c. Make other repairs as necessary to ensure that the hay bales are filtering all runoff directed to the barrier.
  3. Inlet Protection:
    - a. Remove accumulated sediment once it builds up to one-half of the height of the barrier.
    - b. Remove all sediment accumulated within the barrier and replaced damaged sod.
    - c. Make other repairs as necessary to ensure that the inlet protection device is operating properly.
- E. All materials and each part or detail of the work shall be subject to inspection by Manager. Manager shall be provided access to all parts of the work and shall be furnished with such information and assistance by Contractor as is required to make a complete and detailed inspection.

3.6 REMOVAL AND FINAL CLEANUP

- A. Once the Site has been fully stabilized against erosion, and as acceptable to the Owner, remove sediment control devices and all accumulated silt. Dispose of silt and waste materials. Regrade all areas disturbed during this process and stabilize against erosion with surfacing materials as indicated on the Drawings or specified herein.

END OF SECTION

**SECTION 01510  
DUST CONTROL FOR CONTRACTOR OPERATIONS**

**PART 1      GENERAL**

**1.1      SECTION INCLUDES**

A.      This Specification Section covers requirements for dust control for Contractor operations.

**1.2      GENERAL REQUIREMENTS**

A.      Contractor is responsible to provide continuous (7 days per week, 24 hours per day) fugitive dust control measures at all construction sites. Dust control shall be provided for, but not be specifically limited to, the stabilization of unpaved roads, haul roads, access roads, spoil sites, borrow and material sources, excavations, earthen dikes and embankments, stockpiles, and all other areas which become potential sources of dust as a result of construction activities.

B.      Contractor is responsible to provide continuous (7 days per week, 24 hours per day) fugitive dust control measures at all construction work areas in accordance with the requirements of Section 01410: Temporary Erosion Control. Contractor shall assume all responsibility for dust control.

C.      Contractor's dust control measures shall maintain compliance with referenced regulatory requirements and as directed by Manager. Key elements of Contractor's dust control program shall include:

1.      Wetting of surfaces with water as appropriate.
2.      Application of dust suppressants such as magnesium chloride solution.
3.      Minimizing surface disturbances.
4.      Minimizing dusting exposure periods before dust abatement measures are applied.
5.      Revegetating areas that will remain disturbed for long time periods.

**1.3      REFERENCES**

- A.      U.S. Army Corps of Engineers (USCOE) 404 Permit
- B.      Utah Administrative Code, R307-205 Environmental Quality, Air Quality, Emission Standards: Fugitive Emissions and Fugitive Dust
- C.      Utah State Implementation Plan - Utah Air Conservation Rules
- D.      Salt Lake County - Air Pollution Control Ordinance, Chapter 9.72
- E.      Utah Air Conservation Act, Utah Code Annotated, Title 19
- F.      UPDES General Permit for Storm Water Discharges from Construction Activities that are Classified as "Associated with Industrial Activity," Permit No. UTR100000.
- G.      U.S. Environmental Protection Agency (EPA), "Storm Water Management for Construction Activities, Developing Pollution Plans and Best Management Practices," EPA 832-R-92-005, September 1992
- H.      OSHA 29 CFR 1910 – General Industry Safety and Health Standards
- I.      OSHA 29 CFR 1926 – Construction Industry Safety and Health Standards

- J. MSHA 30 CFR 56 – Mine Safety and Health Regulations
- K. Salt Lake County Air Pollution Control Ordinance, Chapter 9.72

#### 1.4 SUBMITTALS

- A. Within 14 calendar days from Notice to Proceed, a detailed Dust Control Plan identifying the specific control methods, preventive measures, and all schedules for accomplishing dust control. The plan shall comply with all applicable requirements of State and local Air Pollution Regulations. The plan shall describe:
  - 1. The proposed use of dust abatement measures including watering, application of magnesium chloride solution or Manager accepted dust suppressant, use and minimization of work areas or other proposed methods.
  - 2. Site specific dust control methods for Contractor's yard and work areas, fueling and fuel storage areas, access and haul roads, topsoil removal and placement activities, stockpiles, embankment slopes, drainage blanket placement, excavations and disposal areas and other site areas in which construction work is being performed.
  - 3. Dust control methods for construction areas outside the site such as borrow pits, stockpiles, access and haul roads, railroad beds, and equipment storage sites.
  - 4. A complete listing of the dust control equipment and personnel to be dedicated to dust control work including inspection.
  - 5. Descriptive data of all materials proposed for use in dust control including Material Safety Data Sheets for any products to be applied to site areas.
- B. Daily Contractor Fugitive Dust Inspection Reports.

#### 1.5 QUALITY ASSURANCE

- A. Prevent dust from all construction areas and activities. In addition, comply with:
  - 1. Utah Air Pollution Regulations R 307.
  - 2. State Implementation Plan, Section IX
- B. Carry out proper and efficient measures wherever and as often as necessary to meet all applicable regulations and permit requirements and to prevent Contractor's operations from producing dust in amounts harmful to persons, damaging to property, hazardous to public traffic, or causing a nuisance to persons occupying adjacent property or otherwise engaged in any legal activities in the vicinity of the works.
- C. Provide inspectors to determine and ensure Contractor compliance with the project dust control requirements at all times. Manager will visually review the acceptability of the dust control measures. Immediately correct all unsatisfactory dust control methods without expense to Owner. If dust control methods are not corrected immediately, Owner may correct such at Contractor's expense.

### **PART 2 PRODUCTS**

#### 2.1 GENERAL

- A. Contractor shall provide all equipment and material as required to meet the construction dust control requirements of the Project, the approved Dust Control Plan, these Specifications, and the Contract Documents.

#### 2.2 MATERIALS

- A. Materials for dust control shall include:

1. Water that is free of dirt, silt or other detrimental matter. Water availability points are shown on the Drawings or as directed by Manager.
2. Magnesium chloride solution.
3. Marloc liquid copolymer emulsion containing 60 percent solids as prepared by Reclamare Company, Seattle, WA. (tel. No. 206-824-2385).
4. Seed mix for vegetative stabilization as specified in Section 02254.
5. Use of any other dust control materials shall require Manager's prior acceptance.

### **PART 3 EXECUTION**

#### **3.1 APPLICATION**

- A. Contractor shall not proceed with the work until the Dust Control Plan has been accepted by Manager. Any work started by Contractor contrary to the plan may be ordered corrected at Contractor's expense.
- B. Contractor shall apply immediate dust control measures to stabilize dust in all site work areas.
- C. In order to control fugitive dust emissions, Contractor shall apply the following procedures and techniques:
  1. Cover loads of materials, debris and waste materials taken from construction sites as needed to suppress dust.
  2. Water down or apply other approved dust control measures to the construction site haul roads and public access roads as needed to suppress dust.
  3. Surfaces left disturbed for more than six (6) months shall be temporarily revegetated in accordance with Section 02310 unless otherwise stated in the Contract Documents or directed by Manager.
  4. Unless otherwise marked vehicle speeds on unpaved access roads shall not exceed forty-five (45) mph. Vehicle speeds on haul roads shall not exceed thirty (30) mph. Vehicle speed on impoundment roads shall not exceed fifteen (15) mps.
  5. All mud and dirt shall be removed from vehicles prior to entering a paved or graveled area. Any mud or dirt that is carried out onto paved or graveled surfaces shall be removed from surfaces immediately and no less than daily.
  6. Control of Contractor disturbed areas shall include continually maintaining a moistened surface and application of approved tackifiers to stabilize dust.
  7. Other dust control methods, materials and specific procedures shall be included in Contractor's Dust Control Plan as required in Part 1.

#### **3.2 FIELD QUALITY CONTROL**

- A. Contractor shall perform the following inspections and quality control activities. If any deficiencies are revealed during any inspections, such deficiencies shall be corrected by Contractor at no expense to Owner.
- B. Throughout the duration of the Contract, Contractor shall inspect construction areas to assess the need for implementation of dust control measures. Contractor shall inspect areas disturbed by construction activities, areas used for open material storage, on-site work areas, fueling and fuel storage areas, stockpiles, borrow areas, access and haul roads, and off-site work areas to ensure that specific pollution prevention and dust control procedures contained in this Specification and the approved site permits and regulations are being complied with. Inspections shall be conducted every day.
- C. Contractor shall document the daily inspections on forms that will be submitted to Manager no later than one working day after the date of each inspection. Sample form is



attached. Contractor shall note on the form any evidence of equipment insufficiency or malfunctions, or evidence that dust pollution is occurring on or near the site due to site construction activities. Contractor shall notify Manage and correct the condition immediately.

- D. All materials and each part or detail of the work shall be subject to inspection by Manager. Manager shall be provided access to all areas of the work and shall be furnished with such information and assistance by Contractor as is required to make a complete and detailed inspection.

### 3.3 ENVIRONMENTAL PROTECTION

- A. Conduct all operations in such a way as to minimize the impact upon the natural environment. Provide suitable equipment, facilities, and precautions to prevent the discharge of contaminants which may pollute the atmosphere, any body of water, or land areas, or which may harm fish or other wildlife.

**END OF SECTION**

**SECTION 02110  
TOPSOIL STRIPPING, PLACEMENT, AND GRADING**

**PART 1        GENERAL**

**1.1        SECTION INCLUDES**

- A.        This Specification section covers topsoil stripping, removal, placement, rough grading, and preparation for revegetation.

**1.2        REFERENCES**

- A.        U.S. Department of Agriculture Soil Texture Classification System.
- B.        ASTM D2488 - Standard Practice for Description and Identification of Soils (Visual-Manual Procedure).
- C.        Department of Natural Resources - Division of Oil, Gas and Mining – Non-Coal - R647-4 Large Mining Operations

**1.3        DEFINITIONS**

- A.        Topsoil: Surface layer of soils. Suitable texture ranges from loamy sand to silt loam and clay loam, as per the USDA Soil Texture Classification System, that correspond to group symbols CL, ML, SC, and SM, as per ASTM D2488. Suitable topsoil shall consist of all soil of a suitable texture, free of subsoil, noxious weed seed or reproductive vegetation plants, heavy clay, hard clods, toxic substances or other material which would be detrimental to plant growth. Construction debris, boulders, and other deleterious materials shall be excluded from topsoil by selective excavation at stripping sites.
- B.        Topsoil Stripping: Removal of all suitable material. Exact depth of removal shall be established by Contractor ahead of the excavation using field sampling and testing procedures described in below in this Section.
- C.        Growth Media: A surficial layer below the top soil layer that consists of silty fine sands and clayey organic soils. Suitable growth media shall consist of all soil of a suitable texture, free of noxious weed seed or reproductive vegetation plants, heavy clay, hard clods, toxic substances or other material which would be detrimental to plant growth. Construction debris, boulders, and other deleterious materials shall be excluded from growth media by selective excavation at stripping sites.
- D.        Growth Media Stripping: Removal of all suitable material. Exact depth of removal shall be established by Contractor ahead of the excavation using field sampling and testing procedures described in below in this Section

**1.4        SUBMITTALS**

- A.        Topsoil & Growth Media Stripping and Placement Work Plan and Schedule, 30 calendar days before stripping.
- B.        Qualifications of Contractor's Quality Control Manager regarding agronomical testing, 30 calendar days before stripping.
- C.        Copy of the topsoil management field logbook notes on a weekly basis. Logbook content shall be as specified in this Section.

1.5 QUALITY ASSURANCE

- A. The Quality Control inspector responsible for performing the soil texture analysis specified in this Section shall have demonstrated and documented experience in agronomical testing. Qualifications are subject to Manager approval.

**PART 2 PRODUCTS**

NOT USED

**PART 3 EXECUTION**

3.1 CONSTRUCTION REQUIREMENTS

- A. Excavate topsoil and growth media from areas requiring stripping, as indicated on the Drawings or as directed by the Manager.
- B. Remove roots larger than 1 inch, rocks larger than 2 inches, debris, grass layers and weeds prior to stockpiling of the topsoil and growth media, unless determined otherwise by the Manager.
- C. Unless otherwise directed by the Manager, materials selected for topsoil shall be excavated to depths ranging from 10 to 20 inches and averaging approximately 15 inches. Strip topsoil only to a depth at which clay material begins to predominate. Determine depth of stripping in advance by field sampling and testing specified in this Section. Except as otherwise specified, vegetative growth, including living plants, and rocks normally present in the soil will not be removed prior to stripping.
- D. Stockpile topsoil and growth media in area(s) approved by the Manager. Protect topsoil and growth media stockpiles from wind and water erosion.

3.2 PREPARATION

- A. Before topsoil and or growth media placement, scarify subgrade that is to be covered to a depth of 6 inches below the surface.

3.3 PLACING AND GRADING TOPSOIL AND GROWTH MEDIA

- A. Grade topsoil and growth media to eliminate rough or low areas. Maintain profiles and contour of subgrade.
- B. Place topsoil in a single lift; disk and then harrow topsoil layer twice to prepare a firm seed bed for seeding.
- C. Place growth media in multiple lifts; disk and then harrow growth media layer twice to prepare a firm seed bed for seeding

3.4 PROTECTION AND DUST CONTROL

- A. Protect newly graded areas from traffic and erosion. Any settlement or erosion that may occur from any cause, prior to acceptance, shall be repaired and grades reestablished to the required elevations and slopes.
- B. Contractor is responsible to provide specific control and stabilization measures to control erosion and sedimentation, and shall perform weekly inspections of disturbed areas, and erosion and sedimentation control measures in accordance with Section 01410: Temporary Erosion Control.

3.5 FIELD QUALITY CONTROL

- A. Perform the following tests and field quality control activities using personnel qualified to perform the work. If any deficiencies are revealed during the performance of the work, such deficiencies shall be corrected by Contractor at no additional expense to Owner and the tests shall be reconducted. Manager will provide acceptance upon successful completion of the work.
- B. Before stripping, sample the topsoil and growth media areas as follows to determine depth of stripping.
  - 1. Collect samples in a sampling grid with each sample point no less than 150 feet and no more than 300 feet distance from all other sample points in each area.
  - 2. Each soil sample shall be taken with a standard soil auger. At a minimum, soil in each sample will be tested using the field method of soil texture analysis at every 8 inch interval along the sample core. Testing shall be done along the core until clay begins to predominate.
- C. Soil will be tested by Contractor's Quality Control Inspector using the field method of soil texture analysis. A sample of the soil in a moist to wet condition is rubbed between the thumb and fingers. The way a wet soil develops a ribbon when pressed between the thumb and fingers indicates the amount of clay present. Sand particles are gritty; silt feels like flour or talcum powder when dry and is only slightly sticky when wet. Clay soil is very sticky and plastic and forms a stable ribbon. The longer and smoother the ribbon formed, the higher the clay content. The following table shall be used to determine the clay content of soil being tested.

Criterion	Suitable Topsoil Material					Unsuitable Topsoil Material
	Loamy Sand	Sandy Loam	Loam	Silt Loam	Clay Loam	Clay*
Individual grains visible to eye	Yes	Yes	Some	Few	No	No
Stability of wet clods**	Unstable	Slightly Stable	Moderately Stable	Stable	Very Stable	Very Stable
Stability of "ribbon" when wet soil rubbed between thumb and fingers	Does not Form	Does not Form	Does not Form	Broken appearance	Thin, will break	Very long, flexible
* Includes sandy clay and silty clay, as per the USDA Soil Texture Classification System. This classification corresponds to the group symbol CH, as per ASTM D 2488.						
** Roll soil sample into a ping pong size ball. Press ball with finger. Stability refers to whether ball crumbles, crack or just deforms when pressed.						

- D. Check the thickness of the topsoil and growth media layer by measurement at a minimum of four test pits per hummock. Manager will select test pit locations. Backfill the test pits with the material from excavation. The following tolerance shall be maintained:
  - 1. Topsoil Thickness: Plus or minus three inches
- E. Maintain documentation of the topsoil and growth media stripping and placement process in a Field Log Book, including the following information:

1. Date and time of stripping, stockpiling, and placement activities.
  2. Test results and sampling records indicating limits and bounds of topsoil and growth media location, description, depth, and quantity of material stripped.
  3. Location of soil placement and depth of placement.
- F. Maintain an orderly and current file of all submittals, Manager responses, inspection reports and other documents verifying compliance with this Specification.

3.6 DISPOSAL

- A. Remove and dispose of at an off-site facility grass, weeds, roots, and rocks, from all areas requiring stripping in accordance with the requirements of applicable local, state, or federal rules and regulations.

**END OF SECTION**

**SECTION 02120  
CONSTRUCTION DEWATERING**

**PART 1      GENERAL**

1.1      SECTION INCLUDES

- A.      This Specification section covers construction dewatering requirements.

1.2      REFERENCES NOT USED.

1.3      SUBMITTALS

- A.      Water Removal and Management Plan: Submit plan for dewatering of excavations showing location of withdrawals and discharge to stormwater system, including provisions for settlement of sediment. Provide for ENGINEER's approval the Water Removal and Management Plan that addresses the control and drainage of construction water. Water management activities shall meet all applicable federal, and local regulations. Plan shall identify proposed discharge points, if any are required, and scope and frequency of monitoring, sampling and testing, all of which shall comply with applicable permit. CONTRACTOR shall obtain ENGINEER's approval in advance of each discharge from OWNER's outfall to enable monitoring, sampling and testing by OWNER's operations
- B.      Field records of installed locations of pumps, pipe runs, and manifolds.
- C.      CONTRACTOR inspection reports
- D.      Request to discharge through OWNER's outfall for ENGINEER's approval, at least 48 hours in advance of the proposed discharge. Notification shall include dates of discharge, estimated volume and flow rate.
- E.      Discharge monitoring, sampling and test reports.

1.4      QUALITY ASSURANCE

- A.      Conform to the applicable health and safety regulations, as referenced in performing all work activities including pumping, excavation of ditches, laying of pipe, and the construction of diversion facilities.
- B.      CONTRACTOR is responsible for compliance with the conditions of OWNER's construction permit (available for review in the OWNER's office), performance of required inspections and timely reporting of pollutant discharges or related incidents. CONTRACTOR is responsible for submitting the required inspection reports. Any review or acceptance by ENGINEER of CONTRACTOR's Water Removal and Management Plan shall not relieve CONTRACTOR of its responsibility for compliance with applicable laws, nor shall such review be construed as limiting in any manner CONTRACTOR's obligation to undertake any action which may be necessary or required to establish and maintain its plan at the site.
- C.      ENGINEER will visually determine the acceptability of the work and materials. Any work or material found unsatisfactory shall be replaced or corrected as approved by ENGINEER.

1.5      WARRANTY

- A.      CONTRACTOR shall warrant that dewatering requirements for this project shall be met. CONTRACTOR shall also warrant that the installation and operation of material and equipment are in accordance with contract document requirements. CONTRACTOR

shall maintain and correct at his own expense any defects in the dewatering system or damage caused by improper use of the system throughout the life of the project.

- B. If the work is not rectified within a reasonable time, as determined by written notice from ENGINEER, ENGINEER may correct all deficiencies at CONTRACTOR's expense.
- C. CONTRACTOR Certification: Not used.

## **PART 2 PRODUCTS**

### **2.1 MATERIALS**

- A. Provide all temporary pumps, piping, hoses, fittings, and materials to meet the dewatering requirements of the project, the approved Water Removal and Management Plan, and these Specifications.

## **PART 3 EXECUTION**

### **3.1 GENERAL**

- A. Dewatering shall be accomplished in a manner that will prevent loss of fines from foundation or excavated surfaces and will maintain stability of excavated slopes and foundation subgrades.
- B. Provide for the drainage of storm water, and such water as may be applied or discharged on the site in performance of the Work. Drainage facilities shall be adequate to prevent damage to the Work, the site, and adjacent property.
- C. Clean, enlarge or supplement existing drainage channels and conduits as approved and as necessary to carry all increased runoff attributable to the CONTRACTOR's operations.
- D. Except for ditch channel work which may be acceptable performed under wet condition, drain or pump out all work areas and maintain them free from water. Furnish all materials, plant, equipment, labor and supplies necessary to construct and maintain all necessary channels, flumes, and other protective works; to provide, install, maintain and operate all necessary pumping and other equipment; and to maintain any required dikes around excavations or work areas in a water-tight condition.
- E. CONTRACTOR is wholly responsible for the adequacy of the dewatering and drainage systems, including sizing and selection of equipment, the maintenance and operation of the dewatering and drainage systems during construction, and the removal and clean-up of the dewatering and drainage systems after they are no longer required.
- F. Make independent evaluation of site conditions, surface run-off, seepage, etc., and size dewatering capacity and/or provide such additional waterproofing as necessary to control water inflow.
- G. CONTRACTOR shall repair at his own expense any damage to property and to any part of the project caused by failure or inadequacy of any part of the dewatering or drainage systems.
- H. Clay required for dewatering systems may be obtained and used by CONTRACTOR, provided that borrow locations are identified in the required plan specified herein and only after ENGINEER approval is obtained. Clay shall be obtained from required excavations. No warranty is made to the quantities or suitability of materials. Unless otherwise indicated on the Drawings or specified, CONTRACTOR shall remove all dikes after they are no longer required and place the dike materials in the finished grade.
- I. Construction water is defined as any water used or pumped by CONTRACTOR or water collected in or flowing through CONTRACTOR's work areas. Construction water also

includes all waters used for, or resulting from, any construction purpose including, but not limited to, aggregate production, dewatering (including water seeping through dikes or into excavations) and wash water.

- J. Discharge water in the following areas, unless otherwise approved by ENGINEER:
  - 1. Surface areas approved by OWNER's REPRESENTATIVE
  - 2. Surface water drainage system approved by OWNER'S REPRESENTATIVE
- K. Do not discharge any water that has the possibility of migrating off site.

### 3.2 EQUIPMENT OPERATIONAL REQUIREMENTS

- A. Electrical power is generally not available for pumping. It is the responsibility of CONTRACTOR to provide power to dewatering pumps.
- B. Provide sufficient spare pumps, motors, etc. on site to replace equipment that may become unserviceable.
- C. Conform to normal and accepted industry safety requirements during installation, operation, and maintenance of excavations, pumps, pipes, hoses, fuel storage and accessories.

### 3.3 DEWATERING OF FOUNDATIONS

- A. Install and maintain run-on control from surface drainage using diversion ditches and berms. Dewatering shall be prosecuted in a manner that will maintain the foundations dewatered until no longer necessary for proper construction of the work. Dewatering operations shall not be terminated until approved by ENGINEER.
- B. CONTRACTOR's method of removal of water from foundations shall be of such type and capacity that it will lower and maintain the groundwater levels in the adjacent ground to an elevation at least 2 feet below the bottom of the structure to be built. The dewatering system shall be designed, constructed and operated at all times so as to prevent movement and/or piping of the foundation and excavation slopes.

### 3.4 WATER POLLUTION AND EROSION CONTROL

- A. Excavated materials shall not be deposited where they can be washed away by high water or storm runoff except as approved by ENGINEER.
- B. Mechanized equipment shall not be operated in flowing water.
- C. Any required sedimentation pond dikes shall be constructed of impervious materials and adequately compacted with 2 feet of freeboard to provide protection from accidental discharges. The location, size, and method of construction of ponds shall be submitted to ENGINEER as part of the required plan.
- D. See Section 01410 for temporary erosion control measures.

### 3.5 FIELD QUALITY CONTROL

- A. Throughout the duration of the Contract, CONTRACTOR shall inspect construction areas to assess adequacy and operability of dewatering equipment, disturbed areas, areas used for open material storage, water management and erosion control facilities, and roads, to ensure that specific pollution prevention and sediment control procedures contained in the approved Water Removal and Management Plan are being observed and maintained. Inspections shall be conducted according to the following schedule:



1. Routine inspections every seven calendar days. During arid season and only after temporary or final stabilization is complete, the frequency of routine inspections can be decreased to monthly, if approved by ENGINEER .
  2. Special inspections within 12 hours following rainstorms with 0.5 inches or more of precipitation.
- B. CONTRACTOR shall document the scheduled inspections on forms that will be submitted to ENGINEER no later than 3 working days after the date of each inspection. Sample form is attached. CONTRACTOR shall note on the form any evidence of equipment insufficiency or malfunctions, or evidence that pollutants are entering the drainage system or being tracked from the site. CONTRACTOR shall notify ENGINEER and correct the condition immediately.
- C. CONTRACTOR shall perform monitoring, sampling and testing of discharges of water to off-site as required to comply with the requirements of the applicable construction permit and Water Removal and Management Plan. CONTRACTOR shall supply copies of the monitoring, sampling and testing reports to ENGINEER no later than 3 working days from the date of each permitted discharge.
- D. All work and materials shall be subject to inspection by ENGINEER. ENGINEER will be provided access to all parts of the work and shall be furnished with such information and assistance by CONTRACTOR as is required to make a complete and detailed inspection.
- E. Any work started by CONTRACTOR contrary to the approved Water Removal and Management Plan, Drawings, Specifications or instruction of ENGINEER may be ordered removed or replaced at CONTRACTOR's expense.

### 3.6 CLEAN-UP AND REMOVAL OF TEMPORARY FACILITIES

- A. After having served their purpose, remove from the site all temporary equipment, materials and structures. Backfill temporary ditches, trenches, drains and other excavations and the clear work-sites.

**END OF SECTION**

### INSPECTION REPORT

Date:	Time:	Shift:	CONTRACTOR:
Weather Conditions;		Type of Inspection: <input type="checkbox"/> Routine <input type="checkbox"/> Special (indicate purpose)	
Inspector:			
Surface Disturbances: <input type="checkbox"/> Clearing & Grubbing <input type="checkbox"/> Excavation <input type="checkbox"/> Embankment <input type="checkbox"/> Material Storage/Stockpile <input type="checkbox"/> Backfilling <input type="checkbox"/> In-Channel Stream Work <input type="checkbox"/> Truck Hauling <input type="checkbox"/> Equipment Transfer	Stabilization Methods Inspected: <input type="checkbox"/> Watering <input type="checkbox"/> Chemical Stabilization <input type="checkbox"/> Minimization of Work Area <input type="checkbox"/> Seeding <input type="checkbox"/> Riprap <input type="checkbox"/> Geotextiles <input type="checkbox"/> Other	Structural Methods Inspected: <input type="checkbox"/> Berms <input type="checkbox"/> Interceptor Dikes and Swales <input type="checkbox"/> Silt Fences <input type="checkbox"/> Sediment Basins <input type="checkbox"/> Gradient Terraces <input type="checkbox"/> Other	
1. Was erosion observed? <input type="checkbox"/> Yes (explained in Comment section)		<input type="checkbox"/> No	
2. Do control methods appear to be adequate? <input type="checkbox"/> Yes		<input type="checkbox"/> No (explain in Comment section)	
3. Was Fugitive dust observed? <input type="checkbox"/> Yes		<input type="checkbox"/> No (explain in Comment section)	
4. Was uncontrolled runoff observed? <input type="checkbox"/> Yes		<input type="checkbox"/> No (explain in Comment section)	
5. List all offsite water point discharges and applicable UPDES Permits: Discharge locations: _____ UPDES Permits: _____			
6. Are berms and dikes intact? <input type="checkbox"/> Yes		<input type="checkbox"/> No (explain in Comment section)	
7. Are adjacent highways clear of tracked dirt? <input type="checkbox"/> Yes		<input type="checkbox"/> No (explain in Comment section)	
8. Are storage areas or stockpiles intact? <input type="checkbox"/> Yes		<input type="checkbox"/> No (explain in Comment section)	
9. What pieces of equipment are in use?			
10. Comments:			
11. Action Taken:			
Inspector's Signature:	Management Review by:	Document Control:	

**SECTION 02210  
GENERAL EARTHWORK**

**PART 1      GENERAL**

1.1      SECTION INCLUDES

- A.      This Section covers general requirements for earthwork construction.
- B.      The work includes furnishing of all plant, equipment, labor, materials, and supplies to complete the required excavations, foundation preparation, fills, and backfills to the lines and grades shown on the Drawings and as specified herein.

1.2      REFERENCES

- A.      AASHTO      M145 Standard Specification for Classification of Soils and Soil-Aggregate Mixtures for Highway Construction Purposes.
- B.      ASTM C117      Materials Finer than 75-sm (No. 200) Sieve in Mineral Aggregates by Washing
- C.      ASTM C131      Resistance to Degradation of Small-Size Coarse Aggregate by Abrasion and Impact in the Los Angeles Machine
- D.      ASTM C136      Sieve Analysis of Fine and Coarse Aggregates
- E.      ASTM C535      Standard Test Method for Resistance to Degradation of Large-Size Coarse Aggregate by Abrasion and Impact in the Los Angeles Machine.
- F.      ASTM D75      Standard Practice for Sampling Aggregates
- G.      ASTM D422      Particle-Size Analysis of Soils
- H.      ASTM D698      Test Method for Laboratory Compaction Characteristics of Soil Using Standard Effort (12,400 ft-lb/ft<sup>3</sup>)
- I.      ASTM D1140      Amount of Material in Soils Finer than the No. 200 Sieve
- J.      ASTM D1556      Density in Place by the Sand-Cone Method
- K.      ASTM D1557      Test Method for Laboratory Compaction Characteristics of Soil Using Modified Effort [56,000 ft-lb/ft<sup>3</sup> (2,700 kN-m/m<sup>3</sup>)]
- L.      ASTM D2216      Method for Laboratory Determination of Water (Moisture) Content of Soil, Rock and Soil-Aggregate Mixtures
- M.      ASTM D2487      Classification of Soils for Engineering Purposes (Unified Soil Classification System)
- N.      ASTM D4318      Liquid Limit, Plastic Limit, and Plasticity Index of Soils
- O.      ASTM D4718      Standard Practice for Correction of Unit Weight and Water Content of Soils Containing Oversize Particles
- P.      ASTM D4253      Standard Test Methods for Maximum Index Density and Unit Weight of Soils Using a Vibratory Table.
- Q.      ASTM D4254      Standard Test Methods for Minimum Index Density and Unit Weight of Soils and Calculation of Relative Density.

- R. ASTM D6938 In-Place Density and Water Content of Soil and Soil-Aggregate by Nuclear Methods (Shallow Depth)

### 1.3 DEFINITIONS

- A. Approved Low-Ground-Pressure (LGP) Tracked Equipment: Dozers or similar tracked earth-moving equipment applying a maximum track pressure of 7.0 psi.
- B. Borrow Material: Material from required excavations or from designated borrow areas on or near site.
- C. Compaction:
  - 1. Ratio, in percent, of as-compacted field dry density to laboratory maximum dry density as determined in accordance with ASTM D698 or D1557.
  - 2. Apply corrections for oversize material to either as-compacted field dry density or maximum dry density, as determined by the Manager, in accordance with ASTM D4718.
- D. Coverage: One coverage is defined as the result of successive passes by a piece of compaction equipment, which by means of sufficient overlap, will ensure that all areas of the layer of lift being compacted have been subjected to one pass of the compaction equipment.
- E. Lift: Loose (uncompacted) layer of material.
- F. MSHA: Mine Safety and Health Administration
- G. Optimum Moisture Content: Moisture content as determined by ASTM D698.
- H. Relative Density: Calculated in accordance with ASTM D4254 based on maximum index density determined in accordance with ASTM D4253 and minimum index density determined in accordance with ASTM D4254.
- I. Required Moisture Content: Moisture content required is expressed as a range of moisture (+/-) about the optimum laboratory moisture content for the specified material obtained by the test procedure specified.
- J. Suitable Material: Imported material, material from required excavations, or from on-site borrow areas which meets the specification requirements for use in constructing fills and free of unsuitable materials as defined herein. Materials will not be judged unsuitable due to moisture content.
- K. Unsuitable Materials: Materials that contain topsoil, organic muck, salt, trash, debris, waste, debris, roots, organic matter (such as strippings, roots, etc.), frozen matter, or any other materials determined by the Manager to not meet the specifications for any required fill.
- L. Well-Graded: A mixture of particle sizes that has no specific concentration, or lack thereof, of one or more sizes. A material type that, when compacted, produces a strong and relatively incompressible mass with a minimum of voids.
- M. Top Course: A well-graded mixture of gravel, sand and silt obtained from approved on-site borrow areas with a maximum particle size of 4 inches. Soil shall contain less than 30 percent by dry weight passing the No. 200 sieve (ASTM D422) and be free of unsuitable materials. The fraction of the material finer than the No. 40 sieve shall have Plastic Index of less than 4 (ASTM D4318).

#### 1.4 SUBMITTALS

- A. Earthwork Plan covering the following items:
1. Proposed source(s) of borrow material(s).
  2. Proposed earthwork plan, including all stripping, excavations, stockpiling, backfilling, filling, and removal to spoil with estimated quantities, location, and flow of materials.
  3. Layout of Temporary Facilities: Include drawings showing the proposed locations and arrangement of stockpile areas. For stockpiles of processed materials, detail methods of depositing materials in stockpile and reclaiming them to prevent degradation of materials after processing. Include measures to prevent contamination with foreign material and segregation.
  4. Proposed layout of work activities, including a detailed schedule.
  5. Proposed haul road layout diagram showing the location and details of the roadways and all appurtenant structures, including signing, lighting, flagging, barricades, and associated traffic control plan. Traffic control plan for on-site traffic shall be coordinated with Manager. Traffic control plan for public right-of ways shall be coordinated with the Utah Department of Transportation. Diagram shall show all proposed haul routes and access ramps from required excavations, borrow area, and stockpile areas to, from, and across fill areas and material crossings. Describe and show estimates of construction traffic flows on proposed haul routes and ramping schemes onto and off fill areas.
  6. List of equipment and tools proposed for use in all operations of construction of each fill type, including equipment for loading, hauling, spreading, moisture conditioning, discing, scarifying, and compacting. For the compaction equipment proposed, provide sufficient data and drawings to verify the requirements specified in this section. Include the number of each type of equipment.
  7. A detailed description of the sequencing and operations necessary for construction of each fill type. Clearly indicate interrelationships among other operations, including stockpiling materials.
  8. Site plan or map indicating locations and sizes of temporary stockpile areas for each material type, and identifying which stockpiles are designated for imported materials and which stockpiles are designated for on-site excavated materials.
  9. Description of the methods to be used to place filter and transition materials in order to avoid contamination by materials from adjacent fill or existing materials.
  10. Number and length of shifts, production rates, and progress.
  11. Minimum of 48-hour advance notice on the opening of all excavation areas.
  12. Field records including QC documentation.

#### 1.5 QUALITY ASSURANCE

- A. Do not place, spread, or compact fill during adverse weather conditions where such conditions will result in fill not meeting the specifications. Schedule work activities to minimize potential weather interruptions such that excavated areas will have minimum exposure to adverse weather conditions. In the event interruptions occur, no additional compensation will be provided for delay or material drying-out time. When the work is interrupted by adverse weather, fill operations shall not be resumed until field tests indicate the moisture content and density of the fill are as specified or are in condition suitable for resuming the work.
- B. Schedule work to minimize impact to ongoing Owner operations, traffic, railroad, utilities, and other Contract work being completed. Coordinate all necessary interruptions with Manager.

**PART 2 PRODUCTS**

**2.1 EARTHWORK MATERIALS**

**A. General**

1. The material gradations specified in this Section are for the materials after placement and compaction.

**B. Bridging Material**

1. Description: Soil mixture, free of deleterious materials.
2. Gradation (Visual): Well graded. 18-inch maximum particle size. Less than 30% passing the No. 200 sieve by dry weight. Minor variations in the material passing the No. 200 sieve may be approved by the Manager provided the material will function for its intended purpose – bridging over soft areas.

**C. Structural Fill**

1. Description: Gravel sand mixture, free of clay and unsuitable materials, meeting the requirements of AASHTO M145 A-1-a.
2. Plasticity Index: Non-plastic. (ASTM D4318)
3. Gradation (ASTM C117/C136):

**Structural Fill Gradation Requirements**

<b>U. S. Sieve</b>	<b>Percent Passing by Weight</b>
2-inch	100
No. 10	Maximum 50
No. 40	Maximum 30
No. 200	Maximum 15

**D. Road Base**

1. Description: Gravel sand mixture, free of clay and unsuitable materials.
2. Abrasion Resistance: 50% maximum loss of weight at 500 revolutions (ASTM C131).
3. Sodium Sulfate Soundness: 10% maximum weighted average loss by weight, after five cycles (ASTM C88).
4. Plasticity Index: Non-plastic. (ASTM D4318)
5. Gradation (ASTM C136):

**Road Base Course Gradation Requirements**

<b>U. S. Sieve</b>	<b>Percent Passing by Weight</b>
1 1/2-inch	100
1-inch	90-100
3/4-inch	70-85
1/2-inch	65-80
3/8-inch	55-75
No. 4	40-65
No. 16	25-40
No. 200	7-11

- E. Top Course
  - 1. Description: Soil mixture, free of deleterious materials.
  - 2. Gradation (Visual): Well graded. 4-inch maximum particle size. Less than 30% passing the No. 200 sieve by dry weight. Minor variations in the material passing the No. 200 sieve may be approved by the Manager provided the material will function for its intended purpose – bridging over soft areas.
- F. Pipe Bedding and Pipe Zone Material

**Pipe Bedding and Pipe Zone Material Gradation**

U. S. Sieve	Percent Passing by Weight
1¼-inch	100
¾-inch	60-85
3/8-inch	15-45
No. 4	7-25
No. 8	0-10
No. 200	0-3

**2.2 OFF-SITE BORROW MATERIAL**

- A. Unless otherwise approved in writing, borrow material shall be obtained from approved borrow areas. However, Contractor's Materials Handling Plan may propose off-site sources if they meet the specified requirements at a cost benefit to Owner.

**2.3 COMPACTION AND DISCING EQUIPMENT**

- A. Compaction and discing equipment shall conform to the manufacturer's specifications and shall be maintained in good working condition at all times. Daily inspection records of all mobile equipment shall be maintained. The specified compaction equipment types shall be used for fills for which a minimum density is specified unless otherwise approved by the Manager.
- B. All equipment and tools used in the performance of the Work are subject to review by the Manager before work is started.
- C. Provide equipment for applying water of a type and quality adequate for the Work, free of leaks and equipped with a distributor bar or other approved device to ensure uniform application.
- D. Provide equipment for mixing, aerating, and moisture conditioning fill materials.
- E. Compaction equipment for bentonite pond liner see Section 02250 Bentonite Pond Liner.
- F. Compaction equipment for granular fill materials (includes all materials other than clay fill).
  - 1. Utilize self-propelled smooth single drum vibratory roller equivalent to a Caterpillar CS-533E in terms of drum diameter and width, total weight, and weight on the drums.
  - 2. The drum shall produce a range of frequencies of vibration and an applied force of not less than 5,000 pounds per foot of drum width.
  - 3. Operate at speeds of 4 miles per hour or less.
- G. Where special compaction is specified in this Section, use hand-held power tampers, power tampers on wheels, walk-behind rollers, heavy duty vibrating plate compactors, or

other compaction equipment suitable for the specified fill types, and capable of producing specified densities, as approved by the Manager.

- H. Discing equipment used to break up, blend, or moisture condition bentonite pond liner see Section 02250 Bentonite Pond Liner.

### **PART 3 EXECUTION**

#### **3.1 ACCESS AND HAUL ROADS**

- A. Obtain Manager approval for all temporary facility and access/haul road layouts prior to start of construction.
- B. As a part of temporary facilities, design, construct, maintain, and provide ice and snow removal for all temporary access and haul roads as may be necessary to complete the Work. Any roads required by the Contractor shall be constructed in accordance with the approved Materials Handling Plan. Provide adequate drainage ditches, berms, and culverts to direct runoff as indicated on the Drawings..
- C. Maintain roads in good condition at all times. Provide signs, barriers, lighting, and other similar devices to assure safe operation of vehicles as required by Kennecott Utah Copper and MSHA requirements.
- D. Permit travel on construction roads by the Owner, Manager, their employees, and other contractors. When optimum use of construction plant sites requires joint use of construction roads by the Contractor and other contractors who will be working at the site, coordinate with the other contractors for joint use and maintenance of the roads. Terms and conditions of agreements for joint use and maintenance will be subject to approval by the Manager.
- E. Assume maintenance responsibility for all existing and new roads used and constructed by Contractor. Such maintenance shall include all necessary grading, surfacing repairs, and clearance of drainage courses. Unless otherwise specified, each such road shall be in a condition as it was in before Contractor use began at the completion of Work.
- F. Contractor may make use of roads under construction by other contractors with Manager's approval. Such use shall be coordinated with the other contractor so as not to delay completion of Work. Contractor is liable to the other contractor for any delays.
- G. Maintain access to the Owner's Offices and facilities at all times.
- H. Use the existing site roads, new site roads (shown on drawings) when available for site access and haul roads. Temporary turnarounds may be constructed for Contractor's operations with prior Manager approval. Only low ground pressure tracked type equipment will be allowed on subgrade for construction of all new haul/access roads. The use of any other existing roads and trails within the site and the construction of any new temporary haul/access roads shall not be permitted except as required for access to isolated construction areas. These exceptions require Manager approval.
- I. Upon completion of the work, temporary haul/access roads, and temporary turnarounds shall be removed. Any materials placed for the temporary roads and turnarounds outside of the impoundment footprint shall be removed and native materials shall be scarified and graded to blend smoothly with the surrounding land contours. The removed temporary roads and turnarounds, as well as any existing trails used by the Contractor's operations shall be prepared and seeded as detailed in Specification 02310: Seeding and Mulching. Seeding is not specified or required for areas currently not vegetated.
- J. Construction traffic is not allowed on any subgrade; transport of materials to the placement area is to occur on approved haul roads only. Only approved low ground



pressure tracked equipment shall be permitted on haul/access road subgrade without prior written approval. Haul traffic shall be discontinued on any road, if the road surface or subgrade becomes damaged; damage shall be defined as any rutting that occurs in excess of 6 inches. Provide grading, geogrid, bridging material, equipment, light loads, or whatever methods (including material, equipment, and labor) are necessary to allow haul traffic to proceed without damage to the roads. Methods used to protect roads from damage shall be provided at no additional cost to Owner. Damage to the road surface or subgrade resulting from Contractor operations shall be repaired or replaced at Manager's discretion at no additional cost to Owner.

### 3.2 CONTROLS

- A. Stabilize excavations or support surfaces of open cuts as required for the safety of operations. Provide sheeting, shoring, bracing, and other OSHA and MSHA approved methods to retain excavations and prevent cave-ins. Sheeting and shoring shall be designed by a registered structural engineer, licensed in the State of Utah. Shoring, sheeting, and bracing may be removed as backfilling proceeds. Perform other operations as required to render safe the condition of all excavations and open cuts.
- B. Provide OSHA and MSHA approved barriers or berms to protect vehicles and personnel on raised embankments or grades.
- C. Dewater excavations and fill placement areas in accordance with Section 02120: Construction Dewatering.
- D. Provide dust control in accordance with Section 01510: Dust Control for Contractor Operations.

### 3.3 DEWATERING

- A. Maintain grades to promote water drainage; provide and operate equipment to keep construction areas free of subsurface, surface, and stormwater during all excavation and backfilling; provide necessary diversion ditches or dewatering systems; dispose of water so construction and storage areas, roads, and other surfaces are not flooded; and fully meet all requirements of the Project Surface Water Pollution Prevent Plan and Section 02120: Construction Dewatering.
- B. Excavation methods without dewatering, such as by dragline, will be acceptable in areas not contiguous to structures or culverts, provided that, prior to its use in fill construction, the material excavated is dried by intermediate stockpiling and aerating to produce specified moisture content or, if no moisture content is specified, to produce a moisture content as required for the specified compaction density.
- C. Excavations for foundations of structures, culverts, and other similar excavations shall be kept dewatered until the structures, pipelines, culverts, etc. are backfilled to above the level where either groundwater or surface water will not adversely influence construction.
- D. The Contractor is responsible for monitoring water levels, determining impact on construction, and for developing and implementing construction features, methods and construction equipment that are compatible with the existing site conditions at the time of construction.

### 3.4 EXCAVATION

- A. Perform excavation of every type of material encountered within the limits of Project, to the lines, grades, and elevations indicated and as specified. Excavation shall conform with the notes, typical sections and the tolerances specified on the Drawings and this Specification.
- B. Do not excavate in frozen materials, except with written approval of the Manager.

- C. Unless authorized in writing by the Manager, all excavations shall be in the dry in accordance with 02120: Construction Dewatering.
- D. Excavate to required lines and grades as shown on the Drawings or as directed by the Manager. Accurately grade bottom of excavations. If the nature of the soil permits, foundation meets the specified properties and the Manager gives prior approval, excavations for footings and grade beams may be made to dimensions of finished concrete and used as a concrete form.
- E. Trenches and foundation pits shall be of sufficient size to permit placement and removal of forms for the full length and width of structure footings and foundations. When concrete is to be placed in an excavated area, special care shall be taken to keep subgrades dewatered and not to disturb the bottom of the excavation prior to concrete placement. Excavation to the final grade level shall not be made until just before the concrete or aggregate is to be placed. Final excavation to subgrade shall be performed using a smooth bladed backhoe bucket. Equipment shall not be allowed to operate directly on the final subgrade. Degree of slope for open-cut earth banks shall not exceed safe angle of repose of the soil in either dry or wet condition.
- F. Where materials are removed below required elevations and beyond the required excavation limits, backfill the over-excavation and make repairs using compacted fill at Contractor's expense.
- G. Where unsuitable material is exposed at completion of excavation to the lines and grades shown on the Drawings, perform further cutting or stabilization measures as directed by the Manager until suitable bearing is reached. Remove rock encountered in proposed floor slab areas to an elevation at least 6" below bottom of intended slab. If materials are removed below required elevations through error or careless excavation, replace the over excavation with fill material placed and compacted as approved by the Manager at no additional cost to the Owner.
- H. Obtain Manager's approval before excavating under foundations, or within a 45° slope extending downward from the bottom of foundations.
- I. Store materials suitable for backfilling a sufficient distance from edges of excavation to avoid slides and cave-ins due to overloading. In no case shall material be deposited less than 4 feet from the edge of an excavation.
- J. Maintain all excavations free of leaves, brush, sticks, trash, and other debris.
- K. Verify locations of buried underground utilities and pipes and overhead utilities prior to performing any excavations with the Manager and Utility Company representatives as required. Immediately notify the Manager if underground utilities or other unexpected underground structures are encountered. Repair any utilities or pipes damaged during construction at no cost to the Owner.
- L. Carefully uncover, support and protect existing utilities. Do not cut, remove, or damage these items without the Manager's prior written approval. See Section 02220, Excavating and Backfilling for Underground Piping.
- M. Excavation of ditches and channel changes shall be accomplished by cutting accurately to the cross sections, grades, and elevations shown on the Drawings. Care shall be taken not to excavate ditches below grades shown. Ditch over-excavation shall be backfilled with embankment fill material placed in horizontal layers and compacted as specified in this Section at no additional cost to the Owner.
- N. The Owner reserves the right, during the progress of the Work, to vary the slopes, grades, or the dimensions of the excavations from those specified or shown.

### 3.5 EXCAVATED MATERIALS UTILIZATION

- A. Satisfactory material removed from excavations shall be used, insofar as practicable, in construction of fills within the limit of work. Process excavated material to meet moisture requirements for fills in sufficient quantities to meet the required fills.
- B. Spoil excess excavation materials within areas approved by the Manager. Satisfactory excavated materials shall not be spoiled without specific written authorization from the Manager.

### 3.6 STOCKPILING MATERIALS

- A. General: Contractor may temporarily stockpile excavated materials and/or processed materials for the convenience of his operations provided that stockpiles meet the following requirements and are approved by Manager and Owner.
- B. Stockpile Location and Size Limitations:
  - 1. Stockpiles shall be located in agreement with the approved Materials Handling Plan, and located so as not to interfere with the access of other contractors or borrow area users.
  - 2. Maintain stockpiles as necessary to conserve work areas. Maintain stockpile and stockpile areas such that they are clean and orderly. At the end of each work period, vertical work faces shall be knocked down and the slopes graded to ensure no sudden collapses or slope failures occur.
  - 3. Locate stockpiles with clear passages of not less than 100 feet all around each stockpile to permit access to each stockpile by others, and to positively prevent mixing of materials between stockpiles, or contamination of stockpiles with unsatisfactory material of any kind.
- C. Stockpile Foundation Preparation:
  - 1. Unless otherwise approved, foundations for each stockpile shall be stripped of all vegetation and organic materials. In the case of processed material stockpiles to be placed on clay foundations, foundation areas shall be covered with the material being stockpiled as required to prevent contamination or degradation of processed materials, compacted to form a base that will not mix with the stockpile materials, and sloped to drain.
- D. Stockpiling of Processed Materials:
  - 1. Methods used for placing processed materials in stockpiles are the Contractor's responsibility. Any method found to cause material to degrade or segregate so that it falls outside the specifications limits shall be promptly discontinued. To prevent segregation of materials, dozing or dumping of processed materials over the sides of a pile will not be permitted.
  - 2. Material stockpiled by vehicles traveling over the placed stockpile materials shall have vehicle traffic spread as evenly as practicable over the previously placed materials and not concentrated in "haul road" patterns on the stockpile.
  - 3. Do not allow equipment to contaminate the stockpiles or stockpile area with leaking oil, hydraulic fluid, or other deleterious substances.
- E. Areas around the stockpiles and areas within Contractor's assigned work area leading to the stockpiles shall be maintained in a graded and sloped to drain condition. Stabilize as necessary for trafficability at Contractor's expense.

### 3.7 LOADING AND HAULING

- A. Load, haul, and place material in a manner to avoid segregation and loss of material and control dust emissions. Dump material from as small a height as practicable.

### 3.8 FOUNDATION PREPARATION

#### A. General

1. Before placing fill material or concrete, verify that foundation preparation meets the specified requirements and obtain Manager approval except as otherwise specified.
2. Schedule Manager's inspection of final prepared subgrade/foundation at least 48 hours in advance of the requested inspection date. Do not place any materials on the final prepared subgrade/foundation requiring Manager approval until it is inspected and approved.
3. Grade foundation surfaces to provide relatively smooth lines and grades. Correct surface irregularities to allow for the placement of relatively smooth layers of fill.
4. Haul roads crossing foundations shall be removed prior to placement of any fill over the haul road area and the foundation surface prepared as specified.
5. Do not place fill on frozen subgrade except as otherwise specified.
6. Moisten earth-excavated surfaces upon or against which concrete is to be placed with water, and tamp or roll to form a firm foundation upon which to place concrete.

#### B. Debris Basin Embankment Foundation Preparation:

1. Prepare in accordance with Section 02240: Embankments, Borrow, and Backfill.

#### C. Temporary Access Roads Foundation Preparation:

1. Prepare by track-walking with Manager approved low-ground pressure tracked equipment. The subgrade shall not be cleared of grasses and weeds or scarified.

#### D. Structures and Pipe Foundation Preparation:

1. Scarify subgrade/foundation and moisture condition to within -2 percent to +3 percent of the optimum moisture content according to ASTM D698. Compact the upper 8 inches of subgrade to at least 95 percent of the ASTM D698 maximum dry density.
2. Where soft subgrade is encountered as approved by the Manger, stabilize foundation using geotextile and bridging material.

### 3.9 GENERAL PROCEDURES FOR FILL CONSTRUCTION

- A. Do not place fill material until the subgrade or foundation has been dewatered in accordance with Section 02120: Construction Dewatering, and the prepared subgrade or foundation have been inspected and approved by the Manager.
- B. Do not place, spread, or compact fill during adverse weather conditions where such conditions will result in fill not meeting the specifications. Schedule work activities to minimize potential weather interruptions such that excavated areas will have minimum exposure to adverse weather conditions. When the work is interrupted by adverse weather, fill operations shall not be resumed until field tests indicate the moisture content and density of the fill are as specified or are in condition suitable for resuming the work.
- C. Do not place frozen fill material, and do not place fill below water or on frozen ground except as otherwise specified.
- D. Do not allow water to pond on the top of fill lifts. Prevent runoff from contaminating fill materials.
- E. Place fill to the lines, grades and cross-sections shown on the Drawings and written field clarifications by the Manager.

- F. Control and conduct all operations including but not limited to transporting, stockpiling, excavating, producing, and placing the materials to minimize contamination, segregation, and particle breakdown.
- G. The distribution and gradation of materials throughout the fill shall be such that the material is free from lenses, pockets, streaks, or layers of material differing substantially in texture, gradation, and moisture from the surrounding material. The combined excavation and placing operations shall be such that the fill shall be mixed and blended sufficiently to provide the most homogeneous section and best practical degree of compaction and stability.
- H. Remove all organic, oversized, and other unsatisfactory materials, including concentrations of segregated coarse sizes caused by the placing operations from the fill, and dispose of in an approved manner. Minimize traffic of haul equipment on fill materials and route randomly over the fill as necessary to minimize rutting.
- I. Thoroughly moisture treat fill materials as specified to achieve compaction, and maintain at the appropriate moisture content during compaction. The moisture contained in the material during compaction shall be distributed uniformly throughout the layer of material being compacted. Apply moisture to coarse granular fills for dust control even if not required for compaction.
- J. If moisture is added on the fill, add water sufficiently in advance of compaction to permit the added water to penetrate the entire layer or the material processed to provide uniform moisture content throughout soil. If the material becomes too wet to achieve the required compaction, the material shall be removed and allowed to dry, or scarified to reduce the water content, and then recompacted before the next lift of material is placed.
- K. Unless approved by the Manager, blending of materials for purposes of modifying the material to meet the Specification requirements will not be permitted on the fill. Such blending shall be performed at the excavation site or in stockpiles away from the fill.
- L. Do not place fill adjacent to structures before the concrete has attained sufficient strength to withstand the applied construction loads. Unless otherwise approved, do not place fill material against structure walls until the concrete has attained 100% of the design compressive strength per Division 3 of these specifications.
- M. Where applicable, place fill against structures in uniform lifts on both sides of the structure such that no unbalanced loading will occur against the structure.
- N. Unless otherwise specified or specifically authorized by Manager, construct fill in continuous and approximately horizontal lifts for the full width of placement. Placement and spreading of materials shall be parallel to the crest centerline of the embankments except where insufficient space exists for such operations.
- O. Haul road fills over finished slopes shall be excavated and removed prior to completion of the Work. Rutted areas of the finished fill or cut shall be graded and compacted.
- P. Re-work materials which have not been placed in accordance with these specifications. If freezing or wetting of previously compacted and accepted fill has resulted in a decrease in compacted density of the fill, rework the fill until required densities are obtained. Reworking may include removal, rehandling, reprocessing, recompacting, or combinations of these procedures, as required by the Manager. Contractor will not be entitled additional compensation for any rework required to achieve or maintain the specified water content and dry density.
- Q. Take all necessary precautions to preserve the material outside the work lines in the soundest possible condition. Earthwork beyond the work lines performed by Contractor

for any purpose or reason, except as may be directed in writing by Manager, shall be at the expense of Contractor.

- R. Finish the surface of all excavations, fills, and subgrades to a smooth and compact surface in accordance with the lines, grades, and cross sections or elevations shown on the Drawings including specified finish tolerance. Compact surfaces reasonably smooth and free from irregularities, with uniform transitions made to adjacent areas. Grading shall direct any surface runoff away from the work area and toward approved drainage systems or impoundments.

### 3.10 SPECIAL COMPACTION

- A. Special compaction is required within 2 feet of walls, pipes or culverts (5 feet for walls greater than 10 feet in height), structures, and in tight, restricted, or steep areas not accessible by larger rollers, and within 2 feet of pipes. The intent of special compaction is to prevent damage to structures or pipes from compaction equipment loads.
- B. Compaction equipment used in special compaction areas shall be as specified in Part 2. No equipment may be used which by its weight or movement will damage, move or tilt out of alignment any part of the pipe or structure above, adjacent, or below the ground surface.
- C. Place specially compacted fill in maximum 6-inch thick loose lifts unless otherwise approved.

### 3.11 PLACING STRUCTURAL FILL

- A. Loose Lift Thickness (except as otherwise specified for special compaction):
  - 1. Under Structure Footings: Maximum 6 inches
  - 2. Structure Backfill: Maximum 12 inches.
  - 3. Under Culverts: Maximum 8-inches.
- B. Moisture Content: Plus or minus 2 percentage points of the ASTM D 698 optimum moisture content. For free draining materials, moisture condition as required to achieve required dry density.
- C. Dry Density:
  - 1. Not less than 95% of the ASTM D 698 laboratory maximum dry density except as otherwise specified for free draining materials.
  - 2. If fill consists of free draining granular materials where a moisture density relationship cannot be established in accordance with D698 as approved by the Manager, compact material by thoroughly wetting and compacting with vibratory compactors to obtain a minimum of 70% relative density as determined by ASTM D 4253 and D 4254.

### 3.12 PLACING PIPE BEDDING AND PIPE ZONE MATERIAL

- A. Place material adjacent to the pipe using special compaction procedures as specified in this Section.
- B. Loose Lift Thickness: Maximum 6 inches.
- C. Moisture Content: Plus or minus 2 percentage points of the ASTM D 698 optimum moisture content. For free draining materials, moisture condition as required to achieve required dry density.
- D. Dry Density:

1. Not less than 95% of the ASTM D 698 laboratory maximum dry density except as otherwise specified for free draining materials.
2. If fill consists of free draining granular materials where a moisture density relationship cannot be established in accordance with D698 as approved by the Manager, compact material by thoroughly wetting and compacting with vibratory compactors to obtain a minimum of 70% relative density as determined by ASTM D 4253 and D 4254.

### 3.13 PLACING ROAD BASE FILL

- A. Loose Lift Thickness: Maximum 8-inches.
- B. Moisture Content: Plus or minus 2 percentage points of the ASTM D698 optimum moisture content
- C. Dry Density: Not less than 95% of the ASTM D698 laboratory maximum dry density.

### 3.14 PLACING FILL, FOR ROAD EMBANKMENT FILL

- A. Loose Lift Thickness: Maximum 12-inches.
- B. Moisture Content: Plus or minus 2 percentage points of the ASTM D698 optimum moisture content.
- C. Dry Density: Not less than 95% of the ASTM D698 laboratory maximum dry density.

### 3.15 SPOILING EXCESS ROAD EMBANKMENT FILL

- A. Drift excess excavated material downslope to spoil materials outside the road width. Spoiled road fill may form the safety berm; however the spoiled material must be placed in a manner that will form a stable safety berm and bottom slope in accordance with MSHA requirements.
- B. Vegetation cleared from the road may be spoiled off the road edge provided no cleared vegetation debris is incorporated into spoiled materials supporting the safety berm or road slope.

### 3.16 PLACING TOP COURSE

- A. Lift Thickness: Maximum 6 inches
- B. Moisture Content: Plus or minus 2 percentage points of the ASTM D698 optimum moisture content.
- A. Dry Density: Not less than 95% of the ASTM D698 laboratory maximum dry density.

### 3.17 WORK LINES, FINISHING AND TOLERANCES

- A. General Graded Areas: Within 0.2 foot of indicated elevations, and 0.5 foot of indicated cut and fill slopes.
- B. Pipe Bedding: Within 0.1 foot of indicated pipe zone dimensions.

### 3.18 INSPECTION

- A. Establish the lines, grades, and structure locations before proceeding with earthwork. Any work beyond the lines and grades shown on the Drawings and any work done without authorization of the Manager shall be reworked as directed by the Manager at the Contractor's expense.

- B. All materials and each part or detail of the work are subject to inspection by the Manager. Provide access to all parts of the work and furnish the Manager with information and assistance required to make inspections.
- C. The work that involves third parties, such as utilities, shall also have access made available for periodic inspections. Schedule such inspections with the Manager a minimum of 7 working days in advance.
- D. The Manager will direct the Contractor at Contractor's expense to remove or uncover portions of the work that were not inspected and approved in accordance with these Specifications. After examination, the Contractor shall restore said portions of the work to the standards required by these Specifications at no additional cost to the Owner.
- E. If acceptance tests indicate Work does not meet specified requirements, remove Work, replace and retest until the Work is approved at no additional cost to the Owner.
- F. Maintain construction that has been approved. Any damage from equipment, weather, following construction activities, or any other cause shall be replaced by the Contractor at no additional cost to the Owner.

3.19 FIELD QUALITY CONTROL

- A. Field quality control is the responsibility of the Contractor. The Contractor shall arrange with an approved independent laboratory for the tests at the frequency noted in the specifications. The Manager or his representative will determine the test location. Corrective action required due to failing tests and the cost to retest work shall be to the Contractor's account.
- B. Manager may elect to have additional testing performed or may direct that inspection trenches or test pits be cut into the fills to determine that the specifications have been met. Such trenches or pits will be of limited depth and size, and shall be backfilled with the material excavated. When test results indicate the work is not as specified, the work will be corrected using a method approved by Manager, at no additional expense to Owner. If additional testing indicates that work meets the specified requirements. Contractor will be compensated for the excavation and backfilling.
- C. Provide Manager 48 hours advance notice when requesting a test for acceptance of work in progress or a final acceptance test. The Contractor is responsible for scheduling work activity in accordance with material QC testing and Manager's review period.

**Table 3-1  
Field Quality Control Testing**

Material	Placement Area	Test Type	ASTM Test Method	Frequency of Testing (one test per no. of cubic yards indicated)
Structural Fill	All Areas	Field Moisture /Density	ASTM D 6938	100 cy <sup>1</sup>
		Gradation	ASTM C 117 C 136	1,000 cy <sup>2</sup>
		Laboratory Moisture/Density	ASTM D 698 <sup>4</sup>	5,000 cy <sup>2</sup>
		Liquid and Plastic Limits	ASTM D 4318	5,000 cy <sup>2</sup>
Road Base	Maintenance Roads, Haul Road on South	Field Moisture /Density	ASTM D6938	100 cy <sup>1</sup>
		Gradation	ASTM C117 C136	1,000 cy <sup>2</sup>



Material	Placement Area	Test Type	ASTM Test Method	Frequency of Testing (one test per no. of cubic yards indicated)
	Impoundment	Laboratory Moisture/Density	ASTM D698 <sup>4</sup>	5,000 cy <sup>2</sup>
		Liquid and Plastic Limits	ASTM D4318	5,000 cy <sup>2</sup>
Pipe Bedding	Bedding and Pipe Zone	Field Moisture /Density	ASTM D 6938	100 cy <sup>1</sup>
		Gradation	ASTM C 117 C 136	1,000 cy <sup>2</sup>
		Laboratory Moisture/Density	ASTM D 698 <sup>4</sup>	5,000 cy <sup>2</sup>
		Liquid and Plastic Limits	ASTM D 4318	5,000 cy <sup>2</sup>
Bridging Material	Subgrade Stabilization	Gradation	Visual	Continuous

Notes:

- <sup>1</sup> Minimum one per day (on days of placement), one per lift, one per structure or one per area of placement, whichever results in the greatest number of tests.
- <sup>2</sup> Minimum 1 per material type or change. If any of the analyses or visual inspection by the Manager indicates the material may not meet specifications or is not represented by material testing, additional testing shall be performed by the Contractor to treat the changed material as a new material type. No fill material will be permitted in the work that has not, in the Manager's opinion, been represented by material QC testing. For subsequent tests to prove conformance with the Technical Specifications, additional soil samples shall be collected from in-place areas as directed and as deemed appropriate by the Manager. Such additional testing shall be carried out in accordance with the requirements and the standard test methods for testing specified at no additional cost to the Owner.
- <sup>3</sup> The percent compaction requirements for materials where a moisture density relationship can be established will be evaluated as follows: The in-place density as compacted by the Contractor will be determined by the field density test using the nuclear method (ASTM D6938) or sand-cone method (ASTM D1556). The maximum dry density of the fill at the location of the in-place density test will be estimated using a one-point moisture density test and full-curve moisture density tests (family of curves) of representative fill materials. Both the one-point and the full-curve laboratory moisture-density tests shall be performed according to ASTM D698. The one-point test results will be compared to the representative moisture density curves to estimate the maximum dry density of the compacted fill at the location of the in-place density test. Comparison of the one-point laboratory moisture density test to the family of curves will be in accordance with AASHTO T272, except that ASTM D698 will be used as the laboratory moisture density test. The percent compaction in-place will be calculated as the ratio (in percent) of the in-place dry density to the estimated maximum dry density of the compacted fill at the location of the in-place density test.
- <sup>4</sup> If granular fill consists of free draining granular materials where a moisture density relationship cannot be established in accordance with ASTM D698 as approved by the Engineer, test in accordance with ASTM D4253 and D4254.

END OF SECTION

**SECTION 02220  
EXCAVATING AND BACKFILLING FOR UNDERGROUND PIPING**

**PART 1 GENERAL**

1.1 SECTION INCLUDES

- A. This Section covers the requirements for excavating and backfilling for the relocation or replacement of all underground utilities and for the installation of below grade utility piping systems.
- B. Conform to Section 02210: General Earthwork requirements except as otherwise specified in this Section.

1.2 SUBMITTALS

- A. Utility Excavation and Backfill Plan 30 days prior to commencing with work, which shall cover Contractor's plan for proposed trenching alignments with trenching, piping/conduit materials, backfill materials and utility installation details.
- B. Records of all survey measurements, including field notes, of uncovered and relocated utilities.

**PART 2 PRODUCTS**

2.1 MATERIALS

- A. Bedding and Pipe Zone Material: As specified in Section 02210: General Earthwork.
- B. Trench Backfill: Fill above the pipe zone material described above shall be excavated material from the trench construction.

**PART 3 EXECUTION**

3.1 PREPARATION

- A. Locate utilities by review of Drawings, blue stake, detection devices, permits, or any other methods necessary to determine location of utilities prior to commencement of work.
- B. Locate, uncover, support, and protect all existing identified lines and services prior to commencement of Work.

3.2 TRENCHING

- A. Excavate trenches at required elevations and dimensions shown on the Drawings. Relocated utilities shall match existing grades and shall be placed at lines shown on the Drawings. Width of trench below the top of the pipe shall be kept at a minimum, allowing adequate space for laying conduit or pipe, constructing underground structures, inspection, backfilling and compaction.
- B. Excavate all materials encountered, except for existing services and permanent structures. Remove rock, boulders, portions of abandoned structures, and other hard obstructions to a depth at least 4 inches below pipe barrel and an additional 2 inches below bells and couplings. Surfaces shall be level, or sloped if required, clean, and clear of mud or frozen material. Maintain surfaces in good condition until pipe is laid and structures are built.

- C. Existing Underground Lines and Services: Contractor shall carefully locate, uncover, support, and protect existing lines and services. Do not cut, remove, relocate, or damage these items without Manager's prior written approval; Contractor shall otherwise repair or replace them to equal or better than original condition. Repair or replacement shall be at Contractor's expense. All third-party utility interferences, disconnecting, removal, and relocations shall be scheduled with the utility a minimum of 7 working days in advance. All materials, placement, inspections, and approvals shall be in accordance with the utility's standards and requirements.
- D. Excavating Under and Adjacent to Foundations: Contractor shall not excavate under footings or other foundations or structures, or within a 45 degree slope extending downward from the bottom edge of footings or foundations. Stability of such foundations must be ensured. Contractor shall provide an analysis prepared by a licensed Engineer in the State of Utah under the employ of Contractor to support any request for exception from this requirement. Any damage to structures due to excavations shall be promptly repaired or replaced, as directed by the Engineer, at no additional cost to the Owner.
- E. Excavating Through Paving: Where trench excavation must pass through existing paved areas, Contractor shall remove paving along neat saw cut straight lines.
- F. Material Storage and Disposal: Contractor shall select excavated materials which can be reused later; classify and stockpile each type separately; and dispose of unsuitable and excess material and debris in designated spoil areas in conformance with Section 02210: General Earthwork.

### 3.3 SUBGRADE COMPACTION

- A. Subgrade conditions at the bottom of excavations are subject to Engineer's approval in accordance with Section 02210: General Earthwork. Where a soft trench bottom is encountered that does not permit compaction of bedding, the trench bottom shall be over-excavated and backfilled with bridging material as specified in Section 02220: General Earthwork. Over excavation required from encountering unsuitable subgrade, as determined by the Engineer, shall be reimbursable via time and material documentation. Where materials are over excavated below required elevations, place and compact pipe bedding material as specified to correct elevations at no additional cost to Owner.

### 3.4 PLACING PIPE ZONE MATERIAL

- A. Provide pipe zone material not less than 6 inches below pipe invert and top and both sides. Grade bedding surface to the tolerances specified herein. For pipe having belled, flanged, or mechanical joints, shape bedding at joints as required to accommodate the joints and ensure uniform bearing of the pipe.
- B. Place the pipe zone material in horizontal lifts and compact the lifts as specified herein, using appropriate equipment to ensure that the specified compaction is obtained beneath the haunches of the pipe. Bedding and pipe zone materials shall be brought up using a maximum difference of 6 inches between each side of the pipe and with care to avoid displacing the pipe.
- C. Place pipe zone material adjacent to the pipe using special compaction procedures as specified in Section 02220: General Earthwork.
- D. Lift Thickness: See Section 02210 General Earthwork
- E. Moisture Content: See Section 02210 General Earthwork

F. Dry Density: See Section 02210 General Earthwork

### 3.5 PIPE LAYING

#### A. General:

1. All work shall be performed in accordance with the pipe manufacturer's recommendations.
2. Pipe laying shall follow excavation as closely as possible. Pipe to be located below grade shall be laid in trenches maintained free of water. Dewater in accordance with Section 02120: Construction Dewatering.
3. Contractor shall carefully inspect pipe and fittings before installation. Items which are defective shall be rejected and removed from the site at no cost to Owner.
4. Contractor shall lay pipe in such a manner that bottom of pipe is uniformly supported in firm, compacted bedding material. The pipe barrel shall be in contact with the trench bottom for its full length. Contractor shall fill areas excavated to lower than planned elevations, and where rock is encountered, with compacted bedding material.

B. Placing Bedding: Provide bedding not less than 6 inches below pipe invert. Grade bedding surface accurately. For pipe having belled, flanged or mechanical joints, shape bedding at joints as required to accommodate the joints and ensure uniform bearing of the pipe. Place the bedding and pipe zone material in horizontal lifts and compact the lifts in accordance with this Section and as specified in Section 02210: General Earthwork, using appropriate equipment to ensure that the specified compaction is obtained beneath the haunches of the pipe. Bedding and pipe zone materials shall be brought up at the same rate on both sides of the pipe and with care to avoid displacing the pipe.

C. Cleaning and Protecting: Contractor shall clean piping interior of dirt and other foreign matter. For bell and spigot pipe, keep a swab in the line and pull it past each joint after its completion. Protect open ends of pipe with temporary stoppers or covers.

D. Manager must approve installation and testing of all underground piping systems prior to backfilling.

### 3.6 BACKFILLING AND COMPACTING

A. Backfill excavations only after installations have been completed, tested, inspected, and approved by Manager. Before proceeding, excavations shall be free of forms, debris, temporary blocking such as bricks and stones, and other foreign materials. Concrete structures or thrust blocks shall have attained sufficient strength to withstand pressure of earth and compacting operation.

B. Compact backfill to the requirements specified in Section 02210: General Earthwork. Contractor shall furnish power-operated or power-driven hand-operated equipment wherever possible to compact backfill. Compacting of backfill materials by ponding, flooding, or jetting will not be permitted. Material placed over layers not satisfactorily compacted shall be removed and the unsatisfactory areas re-compacted at no cost to Owner.

C. Perform necessary grading to achieve final elevations as designated on the Drawings. Surfaces shall be compacted, reasonably smooth and free from irregularities, with uniform transitions made to adjacent areas. Provide a minimum 1.4"/ft slope away from building walls, unless Drawings indicate otherwise.

- D. Replace pavement, base course, and compacted subgrade disturbed by trenching operations with materials equal in quality and thickness to the adjacent compacted subgrade, base course, and pavement.
- E. To prevent excessive live loads on the pipe, sufficient compacted backfill (but not less than three feet or to the depth indicated on the Drawings) shall be in place over the pipe before heavy construction equipment travels over the pipe.

3.7 FIELD QUALITY CONTROL

- A. Conduct field quality control in accordance with Section 02210: General Earthwork.

**END OF SECTION**

**SECTION 02225  
HIGH DENSITY POLYETHYLENE PIPE (HDPE)**

**PART 1 GENERAL**

**1.1 SCOPE**

- A. This section covers furnishing and installation of the high density polyethylene (HDPE) pipeline as shown on the drawings and specified herein.

**1.2 RELATED WORK**

Related work specified in other sections includes:

- A. Section 02220 – Pipe Excavation and Backfill

**1.3 REFERENCES**

- A. The published specifications and instructions of the manufacturer selected shall become part of this specification.
- B. The latest edition of the following publications form a part of this specification to the extent referenced. The publications are referred to in the text by basic designation only.
  - 1. American Society for Testing Materials (ASTM)
  - 2. ASTM D 4976 Standard Specifications for Polyethylene Plastics, Molding & Extrusion Materials
  - 3. ASTM D 2321 Underground Installation of Flexible Thermoplastic Sewer Pipe.
  - 4. ASTM D 2837 Standard Method for Obtaining Design Basis for Thermoplastic Pipe
  - 5. ASTM D 3350 Standard Specification for Polyethylene Plastic Pipe and Fittings.

**1.4 SUBMITTALS**

The following shall be submitted:

- A. Certified copies of test reports demonstrating conformance to applicable pipe specifications, before pipe is installed.
- B. A plan for pipe joining and installation. The plan must be reviewed and approved by the Engineer prior to pipe installation.

**1.5 STORAGE AND HANDLING**

- A. Pipe shall be stored on clean level ground to prevent undue scratching or gouging.
- B. Sections of pipe with deep cuts or gouges shall be removed and ends of pipes rejoined.
- C. Handling of the joined pipe shall be in such a manner that the pipe is not damaged by dragging over sharp or cutting objects.
- D. Lifting of joined pipe sections shall preclude concentration of bending stresses at joints and shall be done in a manner which evenly distributes lifting stresses along the full length of the pipe.

- E. Pipe shall be stored in a shaded area or covered to avoid temperature extremes which may cause the pipe to bow or warp

**PART 2 PRODUCTS**

**2.1 PIPE AND FITTINGS**

- A. The high density polyethylene pipe shall have a minimum dimension ratio (DR) of 17 unless otherwise shown on drawings.
- B. The piping material and fittings shall be Type III, Class C, Category 5, Grade P34 as tabulated in ASTM D 1248, and shall have a PE 3408 designation.
- C. The manufacturer shall comply with NSF Standard 14 by certifying in writing to the design engineer and making the pipe with the NSF logo in the printline. The manufacturer shall also comply with NSF Standard 61 for the water service connections. The manufacturer shall comply with AWWA Standard C901 by certifying to the design engineer and marking the pipe with the appropriate AWWA standard in the printline.
- D. Fittings shall be pressure rated to match the system piping to which they are joined. At the point of fusion, the outside diameter and minimum wall thickness of the fitting shall meet the outside diameter and minimum wall thickness specifications of AWWA C901.

**PART 3 EXECUTION**

**3.1 INSTALLATION REQUIREMENTS**

- A. High density polyethylene pipe shall be installed according to the requirements of ASTM D 2321, and the manufacturer's requirements.
- B. Sections of pipe shall be joined into continuous lengths by the butt fusion method and shall be performed in strict conformance with the pipe manufacturer's recommendations using approved equipment. Sections of pipe shall be as long as practical to minimize the number of joints. Internal beads at the joints caused by the butt fusion welding method are required to be removed.

**3.2 PRESSURE AND LEAK TEST**

- A. The system design testing pressures is 100 psi.
- B. Testing prior to pipe installation outside of the trench
  - 1. The Contractor shall test all piping either in sections or as a unit. The test shall be made by placing temporary bulkheads as needed in the pipe and filling the line slowly with water. Care shall be taken to see that all air vents are open during the filling. After the piping or section thereof has been filled, subject the pipe to a hydrostatic test pressure that is 1.5 times the system design pressure for a maximum of three hours. During this time, add water periodically to maintain the test pressure; this compensates for the initial stretching of the pipe. The line-pressure tightness is determined by visual observation; therefore, it is not necessary to measure the make-up water. Examine every fused joint; any leakage must be repaired and then retested.

2. The Contractor shall be responsible to ensure that appropriate safety precautions are observed during the hydrostatic testing above ground.
- C. Testing in the trench:
1. Fill the pipeline with water after it has been laid; bleed off any trapped air. Subject the lowest element in the system to a test pressure that is 1.5 times the design pressure, and check for any leakage. When, in the opinion of the engineer, local conditions require that the trenches be backfilled immediately after the pipe has been laid, apply the pressure test after backfilling has been completed but not sooner than a time which will allow sufficient curing of any concrete that may have been used.
  2. The test procedures consist of two steps: the initial expansion and the test phase. When test pressure is applied to a water-filled pipe, the pipe expands. During the initial expansion of the pipe under test, sufficient make-up water must be added to the system at hourly intervals for three hours to maintain the test pressure. After about four hours, initial expansion should be complete and the actual test can start.
  3. When the test is to begin, the pipe is full of water and is subjected to a constant test pressure of 1.5 times the design pressure. The test phase should not exceed three hours, after which time any water deficiency must be replaced and measured. Add and measure the amount of make-up water required to return the test pressure and compare this to the maximum allowance in Table 1 below.

**TABLE 1  
ALLOWANCE FOR EXPANSION UNDER TEST PRESSURE**

Pipe Size	Nominal US Gallon/100 ft of Pipe		
	1-Hour	2-Hour	3-Hour
2	0.08	0.12	0.15
3	0.10	0.15	0.25
4	0.13	0.25	0.40
5	0.21	0.41	0.63
6	0.30	0.60	0.90
8	0.50	1.00	1.50
10	0.75	1.30	2.10
12	1.10	2.30	3.40
14	1.40	2.80	4.20
16	1.70	3.30	5.00
18	2.20	4.30	6.50
20	2.80	5.50	8.00
22	3.50	7.00	10.50
24	4.50	8.90	13.30
28	5.50	11.10	16.80
30	6.20	12.60	19.10
32	7.00	14.30	21.50
36	9.00	18.00	27.00
42	12.00	24.00	36.00
48	15.00	27.00	43.00
54	18.00	30.00	50.00



- D. An alternate leakage test consists of maintaining the test pressure over a period of four hours, and then dropping the pressure by 10 psi. If the pressure then remains within 5% of the target value for one hour, this indicates there is no leakage in the system.
- E. Under no circumstances shall the total time under test exceed eight hours at 1.5 times the system pressure rating. If the test is not complete within this time limit (due to leakage, equipment failure, etc.), the test section shall be permitted to "relax" for eight-hours prior to the next test sequence.

**END OF SECTION**

**SECTION 02230  
TRENCH DAMS**

**PART 1 GENERAL**

1.1 SECTION INCLUDES

- A. This section covers the requirements for the furnishing and installation of trench dams.
- B. Conform to Section 02220: Excavating and Backfilling for Underground Piping except as otherwise specified in this Section.

1.2 DEFINITIONS

- A. Trench Dam: Placement of low permeability material in pipe embedment zone to prohibit groundwater flow along trench.

1.3 SUBMITTALS

- A. List of materials and equipment proposed for installing trench dams.

**PART 2 PRODUCTS**

2.1 MATERIALS

- A. Clay or other impervious material approved by the Engineer must be free of roots, stumps, wood, debris, frozen, or other objectionable materials.

**PART 3 EXECUTION**

3.1 INSTALLATION

- A. Trench dams shall be installed on all drainage lines where grades exceed 10%.
- B. Horizontal Spacing for trench dams shall be as follows:

SLOPE	MAX SPACING
10% - 15%	100 FT
15% - 20%	80 FT
20% - 35%	65 FT
35% - 50%	50 FT
50% - Over	30 FT

- C. Key trench dams a minimum of two feet beyond undisturbed material on sides and bottom of trench. Top of trench dam shall extend to a minimum of 1 foot below the finished ground surface.
- D. Thickness of trench dam shall be a minimum of 18 inches.

- E. Clay trench dams shall be installed in 6 inch lifts, compacted to 95% Modified Proctor Density.
- F. Bearing area of trench dam shall be resting on undisturbed soil free of roots, stumps, wood, debris, or other objectionable materials.
- G. No fittings shall be located within five feet of trench dams.
- H. Cap all drainage line trenches where the grade exceeds 10% with a trench dam at the highest end of the run.

3.2 FIELD QUALITY CONTROL

- A. Conduct field quality control in accordance with Section 02210: General Earthwork.

**END OF SECTION**

**SECTION 02240  
EMBANKMENT, BORROW, AND BACKFILL**

**PART 1 GENERAL**

1.1 SECTION INCLUDES

- A. Materials and procedures for construction of embankment and backfill.

1.2 REFERENCES

- A. AASHTO T 11: Materials Finer than 75  $\mu\text{m}$  (No. 200) Sieve in Mineral Aggregates by Washing
- B. AASHTO T 27: Sieve Analysis of Fine and Coarse Aggregates
- C. AASHTO T 99: Moisture-Density Relations of Soils Using a 2.5 kg (5.5-lb) Rammer and a 305 mm (12 inch) Drop
- D. AASHTO T 180: Moisture-Density Relations of Soils Using a 4.54 kg (10-lb) Rammer and a 457 mm (18 inch) Drop
- E. ASTM D 2487: Standard Classification of Soils for Engineering Purposes (Unified Soil Classification System)

1.3 DEFINITIONS

- A. Well-graded material – Material with a gradation having all particle sizes represented, with a smooth shaped grain-size distribution curve and coefficient of uniformity greater than four and a coefficient of curvature between one and three inclusive. Refer to ASTM D 2487.
1. Coefficient of uniformity  $C_u = D_{60}/D_{10}$
  2. Coefficient of curvature  $C_c = (D_{30})^2/(D_{10}D_{60})$
  3.  $D_{xx}$  The diameter for which xx percent of the particles are finer.

1.4 SUBMITTALS

- A. Provide the following before delivering material to the project:
1. Supplier and source of materials.
  2. Gradation analysis. Refer to AASHTO T 27 and T 11.
  3. Soil classification when applicable. Refer to AASHTO M 145.
  4. Coefficient of uniformity and the coefficient of curvature when applicable. Refer to ASTM D 2487.
  5. Maximum Dry Density and Optimum Moisture Determination Use AASHTO T 180 Method D for A-1 soils and AASHTO T 99 Method D for all other soils.

1.5 ACCEPTANCE

- A. Engineer reserves the right to select and test material randomly from any location at the construction site.
- B. Density Requirement – Acceptance is on a lot-by-lot basis when average density is not less than 96 percent of maximum laboratory density and no single determination is lower than 92 percent.

1. Use AASHTO T 180 Method D for A-1 soils and AASHTO T 99 Method D for all other soils.
  2. Maintain appropriate moisture for compaction during processing.
- C. Remove any material found defective and replace with acceptable material at no additional cost to the Department.

**PART 2 PRODUCTS**

2.1 MATERIALS

- A. Provide materials free of contamination from chemical or petroleum products for embankment and backfill placements.

2.2 BORROW

- A. Classifications A-1-a through A-4. Refer to AASHTO M 145.

2.3 GRANULAR BORROW

- A. Classification A-1-a. Refer to AASHTO M 145.
- B. Non-plastic, well-graded, 3 inch maximum.

2.4 GRANULAR BACKFILL BORROW

- A. Classification A-1-a. Refer to AASHTO M 145.
- B. Non-plastic, well-graded, 2 inch maximum.

2.5 EMBANKMENT

- A. Borrow or suitable excavation materials excluding organic, frozen, or contaminated soils. Refer to this Section, article 2.1.

2.6 FREE DRAINING GRANULAR BACKFILL

- A. Meet the following gradation:

<b>Free Draining Granular Backfill Gradation</b>	
<b>Sieve Size</b>	<b>Percent Passing</b>
1½ INCH	100
1 INCH	95 TO 100
½ INCH	25 TO 60
NO. 4	0 TO 10
NO. 200	0 TO 5

2.7 PIPE BEDDING AND BACKFILL

- A. Bedding and Pipe Zone Material: As specified in Section 02210: General Earthwork.

## **PART 3 EXECUTION**

### **3.1 PREPARATION**

- A. Complete clearing, grubbing, stripping, and stockpiling topsoil before placing embankment. Refer to Section 02110.
- B. Excavate and dispose of unsuitable material as directed by the Engineer.

### **3.2 EMBANKMENT PLACEMENT**

- A. Place excavation or borrow in embankment section with the highest quality material in the top portion of the embankment.
- B. Scarify and compact the top 8 inches of the surface to at least 90 percent of maximum laboratory density when the embankment height is 6 ft or less.
- D. Maintain Drainage
  - 1. Grade and maintain the embankment to ensure adequate drainage.
  - 2. Maintain pipe culverts and drainage ditches or provide temporary facilities when interrupting items such as irrigation systems, sewers, and underdrainages.
- E. Place an initial layer to act as a working platform over soft, wet ground when approved by the Engineer.
  - 1. Density specifications do not apply to the working platform.
  - 2. Meet density requirements for embankment placed above the working platform.
- F. The Engineer inspects and accepts the working platform or foundation before embankment is placed.
- G. Spread embankment materials uniformly in layers not exceeding 1 ft (uncompacted depth) and compact to the specified density. Reduce the lift thickness if tests show unsatisfactory density.
- H. Finish subgrade surface within  $\pm 0.1$  ft of line and grade.
- I. Do not use rock or pavement materials over 1 ft in any dimension. Distribute so space exists for placing and compacting embankment material between large rocks.
- J. Do not place large rock within 1 ft of the subgrade surface. Do not allow rocks to protrude above the subgrade surface.
- K. Do not use compacting equipment that causes shear failure in the embankment.

### **3.3 GRANULAR BORROW AND BACKFILL PLACEMENT**

- A. Finish granular borrow surface within  $\pm 0.1$  ft of line and grade.
- B. Compact borrow and backfill material in 6 inch layers to the specified density.
- C. Structural Backfill Placement includes outlet structures, diversion boxes, pipe culverts, drains, and other structures.
  - 1. Place suitable backfill material in structural backfill sections.

- a. Use granular backfill borrow when specified.
2. Use appropriate compaction equipment adjacent to abutments, backwalls, approach slabs, wing walls, retaining walls, and other structures.

D. Pipe Bedding and Backfill

1. Refer to Section 02220 for excavation requirements.
2. Place uniform layers of pipe backfill on both sides of the pipe.
3. Use compaction equipment smaller than the trench width between the pipe and the trench wall. Fully compact the haunch areas. Hand-tamp areas where compaction equipment cannot compact the soil.

3.4 LIMITATIONS

A. Requirements when working during freezing or snowy conditions:

1. Do not place embankment on frozen or snow-covered areas.
2. Do not deliver or use frozen material in embankments.
3. Remove snow and frozen material from embankments, foundations, and borrow areas and furnish embankment material that can be compacted to the specified density.
4. Remove waste and replace frozen embankment material at no additional cost to the Department.
5. Measure wasted material and provide quantities to the Engineer.

**END OF SECTION**

**SECTION 02250  
BENTONITE POND LINER**

**PART 1 GENERAL**

1.1 SECTION INCLUDES

- A. This Section covers the material and installation requirements for bentonite pond lining.
- B. Conform to Section 02210: General Earthwork requirements except as otherwise specified in this Section.

1.2 REFERENCES

- A. ASTM D5890 Standard Test Method for Swell Index of Clay Mineral Component of Geosynthetic Clay Liners
- B. NCRS 521C Pond Sealing or Lining Bentonite Treatment

1.3 DEFINITION

- A. Bentonite pond liner: a liner for a pond consisting of a compacted soil-bentonite mixture to reduce seepage losses in ponds.

1.4 SUBMITTALS

- A. List of materials and equipment used to install bentonite pond lining.

**PART 2 PRODUCTS**

2.1 MATERIALS

- A. Bentonite shall be a sodium bentonite with a free swell of at least 22 milliliters as measured by ASTM Standard Test Method D5890, unless laboratory tests using other approved bentonite types are used for design.

**PART 3 EXECUTION**

3.1 EXAMINATION

- A. Bentonite treated soil liners shall be filter-compatible with the sub-grade on which they are compacted to prevent loss of the liner soil into larger openings in the sub-grade material. The National Engineering Handbook, Part 633, Chapter 26-Gradation Design of Sand and Gravel Filters, provides criteria on filter compatibility. Locate, uncover, support, and protect all existing identified lines and services prior to commencement of Work.

3.2 INSTALLATION

- A. Bentonite treated soil liners shall comply with all federal, state, and local laws, rules, and regulations.
- B. When laboratory permeability tests are required to determine application rates, the tests shall be performed using bentonite of the same quality and fineness as that proposed for use.
- C. For protection against bentonite dust, personnel on site during bentonite application and mixing shall wear mask and goggles.



- D. For ponds, in the absence of laboratory tests or field performance data on soils similar to those to be treated, the minimum application of a finely ground bentonite per 1-inch thickness of constructed liner shall be:

Pervious Soil Description	Application rate (lb/ft <sup>2</sup> )
Silts (ML, CL-ML)	0.375
Silty Sands (SM, SC-SM, SP-SM)	0.5
Clean Sands (SP, SW)	0.625

- E. Thoroughly mix soils and bentonite using pulvermixer, disc, or similar equipment approved by the Engineer. If a pulvermixer is used each bentonite liner layer should be mixed through a minimum of two passes of the equipment to assure good mixing. If a disc or other equipment is used the liner should be mixed through a minimum three passes of the equipment or until bentonite soil mixture is adequate.
- F. Spread bentonite on dry subbase to ensure that bentonite does not ball up and become difficult to mix with underlying soils.
- G. After bentonite and underlying soils have been thoroughly mixed water and compact with smooth wheeled steel roller, crawler tractor, or similar equipment approved by the Engineer at speeds of 5 miles per hour or less.
- H. For the first layer of bentonite liner apply bentonite to exposed grade, disking it in to a depth of six inches and compact. For subsequent lifts import loose fill to form additional 4-inch thick lifts. Compaction should exceed a minimum of 90% dry density.

### 3.3 FIELD QUALITY CONTROL

- A. In-situ density testing of liner materials shall consist of nuclear densometer testing. In-situ density testing should be performed at minimum once per 2,000 cubic yards of liner placed, one test per change in material type, or at the Owner's direction with the nuclear densometer.
- B. Contractor will conduct permeability testing on completed pond liner. At least one double-ring field infiltration rate permeability test (ASTM D5093 or equivalent) on the completed liner must be conducted per acre of pond liner, with a minimum number of two tests. Test locations will be selected by Owner. These tests must demonstrate that the pond liner, when full to permanent storage level, will have a coefficient of permeability less than or equal to  $1 \times 10^{-7}$  cm/sec.

**END OF SECTION**

**SECTION 02260  
RIPRAP**

**PART 1 GENERAL**

1.1 SECTION INCLUDES

- A. Furnishing and placing riprap.

1.2 REFERENCES

- A. ASTM C88 Standard Test Method for Soundness of Aggregates by Use of Sodium Sulfate or Magnesium Sulfate.
- B. ASTM C127 Standard Test Method for Density, Relative Density (Specific Gravity), and Absorption of Coarse Aggregate.
- C. ASTM C136 Standard Test Method for Sieve Analysis of Fine and Coarse Aggregates.
- D. ASTM C535 Standard Test Method for Resistance to Degradation of Large-Size Coarse Aggregate by Abrasion and Impact in the Los Angeles Machine.

1.3 SUBMITTALS

- A. List of equipment proposed for use in hauling and placing riprap and riprap bedding.

**PART 2 PRODUCTS**

2.1 MATERIALS

- A. Riprap shall be dense, angular, reasonably well graded, sound fragments resistant to abrasion. Material shall be free of cracks, seams, clay, organic material and other defects that would hasten degradation by water and/or frost action. Neither width nor thickness of a single stone of riprap shall be less than 1/3 of its length.
- B. Soil Riprap shall be a mix of riprap (65%) and topsoil or growth media (35%) by volume. Soil riprap shall consist of a uniform mixture of soil and riprap without voids.
- C. Broken concrete, rounded riprap (river rock), and asphalt pavement are not acceptable for riprap.
- D. Material for riprap shall meet the following properties:
  1. Specific gravity: 2.5 Min (ASTM C127)
  2. Abrasion Resistance: 10% maximum loss of weight at 100 revolutions, and 50% maximum loss of weight at 500 revolutions (ASTM C535).
  3. Sodium Sulfate Soundness: 12% maximum weighted average loss by weight, after five cycles (ASTM C88).
  4. Gradation (Manual sorting and ASTM C136):

D <sub>50</sub> Size <sup>1</sup> (Inches)	% Of Total Weight Smaller Than Given Size <sup>2</sup>	Typical Stone Dimensions <sup>3</sup> (Inches)	Typical Stone Weight <sup>4</sup> (Pounds)
6	70-100	12	85

	50-70	9	34
	35-50	6	10
	2-10	2	1
9	70-100	15	160
	50-70	12	82
	35-50	9	34
	2-10	3	1
12	70-100	21	440
	50-70	18	275
	35-50	12	85
	2-10	4	3
18	70-100	30	1276
	50-70	24	653
	35-50	16	194
	2-10	6	10
24	70-100	42	3502
	50-70	33	1700
	35-50	24	653
	2-10	9	34

Notes:

- <sup>1</sup>  $D_{50}$  or  $d_{50}$  = nominal stone size as shown on the Drawings.
- <sup>2</sup> based on typical rock mass.
- <sup>3</sup> equivalent spherical diameter.
- <sup>4</sup> based on a minimum specific gravity = 2.5.

**PART 3 EXECUTION**

3.1 EXAMINATION

- A. Do not place riprap over frozen or spongy subgrade surfaces.

3.2 PLACEMENT

- A. Prepare subgrade in conformance to Section 02210, General Earthwork.
- B. Place geotextile in accordance with Section 02280.
- C. Place riprap at the locations, thicknesses, lines, and grades shown on the Drawings.
- D. Place riprap from the bottom of slopes to the top of slopes.

- E. Where riprap is shown to be installed on geotextile during riprap placement, limit drop height of riprap placed on geotextile to three feet or less and as necessary to not damage or displace geotextile.
- F. Place riprap materials to full layer thickness in one operation in such a manner as to minimize segregation and avoid displacement of underlying geotextile.
- G. Geotextile damaged or displaced before or during placement of overlying layers shall be replaced or repaired in accordance with the requirements of Section 02280 at the Contractor's expense.
- H. Place riprap by dumping and working with a hydraulic excavator. Use handwork to place rocks in such a manner to produce a well graded mass of rock with a minimum practical percentage of voids and that the material, when in place, is stable.
- I. Provide laborers during placement for rearrangement of loose rock fragments, "chinking" of void spaces, and hand placement as needed to comply with the requirement of a well-keyed and stable layer of rock riprap.
- J. The finished riprap shall be free from objectionable pockets of unacceptable soil fines, small stones and clusters of nested large rocks, as determined by the Manager.

3.3 FIELD QUALITY CONTROL

- A. Control of gradation will primarily be by visual inspection. The Manager will be the sole judge of riprap gradation acceptability by visual inspection. If the Manager elects to perform a gradation test(s) of the riprap, the Contractor shall provide equipment, sorting site, and labor to conduct such testing under the observation of the Manager. The gradation will be tested by dumping a minimum of two truckloads (minimum 25 tons) of stone.
- B. If the specified gradation is not being produced, make adjustments as necessary to produce the specified material.

END OF SECTION

**SECTION 02280  
GEOTEXTILE**

**PART 1      GENERAL**

1.1      SECTION INCLUDES

- A.      This section covers the requirements for selection and installation of geotextiles for separation of materials between the subgrade/fill and riprap in accordance with Section 02260.

1.2      REFERENCES

- A.      American Society for Testing and Materials (ASTM)
  - 1.      ASTM D4354      Standard Practice for Sampling of Geosynthetic for Testing.
  - 2.      ASTM D4355      Standard Test Method for Deterioration of Geotextiles by Exposure to Light, Moisture and Heat in a Xenon Arc Type Apparatus
  - 3.      ASTM D4491      Standard Test Method for Water Permeability of Geotextiles by Permittivity
  - 4.      ASTM D4533      Standard Test Method for Index Trapezoidal Tearing Strength of Geotextiles
  - 5.      ASTM D4632      Standard Test Method for Grab Breaking Load and Elongation of Geotextiles
  - 6.      ASTM D4751      Standard Test Method for Determining Apparent Opening Size of a Geotextile
  - 7.      ASTM D4759      Practice for Determining the Specification Conformance of Geosynthetics.
  - 8.      ASTM D4873      Standard Guide for Identification, Storage, and Handling of Geosynthetic Rolls and Samples.
  - 9.      ASTM D5261      Standard Test Method for Measuring Mass per Unit Area of Geotextiles
  - 10.     ASTM D6241      Standard Test Method for the Static Puncture Strength of Geotextiles and Geotextile-Related Products Using a 50-mm Probe

1.3      DEFINITIONS

- A.      Minimum Average Roll Value (MARV): Property values as determined of any individual roll tested from the manufacturing lot or lots of a particular shipment. Values for strength properties shall be for the weakest principal direction.

1.4      SUBMITTALS

- A.      Product data, samples of geotextile, and manufacturer's recommended installation procedures. Each sample shall be tagged, dated, and include the project and product specification on the tag.
- B.      Certificate of compliance signed by an authorized representative of the geotextile manufacturer certifying that the geotextile meets the specified requirements. Each quality control certificate shall include roll identification numbers, testing procedures, and results of quality control tests. Provide written certification that the minimum average roll values given in the Manufacturer's specification are guaranteed by the Manufacturer.

## 1.5 DELIVERY, STORAGE, AND HANDLING

- A. Geotextile labeling, shipment, and storage shall follow ASTM D 4873. Product labels shall clearly show the manufacturer or supplier name, style, and roll number. Each shipping document shall include a notation certifying that the material is in accordance with the manufacturer's certificate.
- B. Supply geotextiles in rolls wrapped in relatively impermeable and opaque covers to protect geotextile during shipping and storage.
- C. Storage and Protection:
  - 1. During storage, geotextile rolls shall be elevated off the ground and adequately covered to protect them from the following: site construction damage, mud, dirt, dust, precipitation, extended ultraviolet radiation including sunlight, chemicals that are strong acids or strong bases, flames including welding sparks, temperatures in excess of 160°F (71°C), and any environmental condition that may damage the property values of the geotextile.
  - 2. Preserve integrity and readability of roll labels.
- D. Handling
  - 1. Use forklifts equipped with slings and spreader bars or other equipment suitable for unloading rolls without damage.
  - 2. Inspect and reject rolls that are damaged or do not meet labeling requirements.

## 1.6 QUALITY ASSURANCE

- A. Manufacturer's Quality Control (MQC) Sampling, Testing, and Acceptance
  - 1. Geotextiles are subject to sampling and testing to verify conformance with this specification. Sampling shall be in accordance with the most current modification of ASTM Standard D 4354, using the section titled, "Procedure for Sampling for Purchaser's Specification Conformance Testing." In the absence of purchaser's testing, verification may be based on manufacturer's certifications as a result of testing by the manufacturer of quality assurance samples obtained using the procedure for Sampling for Manufacturer's Quality Assurance (MQA) Testing. A lot size shall be considered to be the shipment quantity of the given product or a truckload of the given product, whichever is smaller.
  - 2. Testing shall be performed in accordance with the method referenced in this specification for the indicated application. Geotextile product acceptance shall be based on ASTM D4759. Product acceptance is determined by comparing the average test results of all specimens within a given sample to the specification MARV. Refer to ASTM D4759 for more details regarding geotextile acceptance procedures.
- B. Certification
  - 1. The Contractor shall submit a certificate stating the name of the manufacturer, product name, style number, chemical composition of the filaments or yarns, and other pertinent information to fully describe the geotextile.
  - 2. The manufacturer is responsible for establishing and maintaining a quality control program to assure compliance with the requirements of the specification. Documentation describing the quality control program shall be made available upon request.
  - 3. The manufacturer's certificate shall state that the finished geotextile meets MARV requirements of the specification as evaluated under the manufacturer's quality control program. A person having legal authority to bind the manufacturer shall attest to the certificate.

4. Either mislabeling or misrepresentation of materials shall be reason to reject those geotextile products.

**PART 2 PRODUCTS**

2.1 GENERAL

- A. Supply geotextile rolls in the maximum available width.
- B. The finished manufactured geotextile shall have good appearance qualities. It shall be free from such defects that would affect the specific properties of the geotextile, or its proper functioning.
- C. Manufacturing procedures shall be performed in accordance with the manufacturer's internal quality control guide and/or documents.
- D. Geotextiles shall be able to withstand direct exposure to ultraviolet radiation from Sun for up to 30 days without any noticeable effect on index or performance properties.

2.2 NON WOVEN GEOTEXTILE

- A. Ultraviolet stabilized continuous filament, needle-punched, non-woven geotextile material composed of polypropylene, or polyester filaments manufactured from prime quality virgin polymer meeting the properties in Table 1 for riprap underlayment, unless other geotextile installations and requirements are noted on the drawings..

**Table 1  
8 ounce Non-Woven Geotextile Requirements  
(Riprap Underlayment)**

Property	Test Procedure	Minimum Average Roll Value
Weight	ASTM D5261	8 oz/yd <sup>2</sup>
Grab Strength	ASTM D4632	200 lbs
Grab Elongation	ASTM D4632	50 %
Tear Strength	ASTM D4533	80 lbs
CBR Puncture Resistance	ASTM D6241	500 lbs
A.O.S. E.O.S	ASTM D4751	0.18 mm (80) US Sieve
Water Flow Rate	ASTM D4491	95 gpm/ft <sup>2</sup>
U.V. Resistance (500 hrs)	ASTM D4355	70 %

**PART 3 EXECUTION**

3.1 INSTALLATION

- A. Install at locations shown on the Drawings, and where directed by Manager or specified for stabilization.
- B. Handle and install in a manner to ensure geotextiles are not damaged.
- C. Do not drive vehicles or operate equipment directly on installed fabric.
- A. Under riprap, prepare the subgrade surface for geotextile placement by smoothing and trimming as necessary to create a smooth, firm surface for the geotextile.

- B. Unroll geotextile onto prepared subgrade in a smooth and wrinkle-free condition. Do not drag the geotextile across the subgrade.
- C. Remove any remaining wrinkles and folds in the geotextile by stretching and securing as required.
- D. Use sand bags, or other suitable means to prevent exposed geotextile from being uplifted by wind, water, or other natural force until overlying materials are placed.
- E. On slopes, anchor securely and deploy down the slope in a controlled manner to continually keep in tension.
- F. Adjacent geotextile panels shall be sewn, heat bonded, or overlapped a minimum of 18 inches. All seams shall be oriented parallel to (in the direction of) the slope. Seams constructed perpendicular or transverse to the direction of the slope will not be accepted.
- G. Where overlapped, shingle uphill edges over downgrade panels.
- H. Prevent damage to underlying layers during placement of geotextile.
- I. Place cover as soon as possible. The geotextile shall not be exposed to precipitation prior to being installed and shall not be exposed to direct sunlight for more than 14 days after installation. Geotextile exposure periods may exceed 14 days when approved by the Engineer based on evaluation of geotextile resistance to UV degradation and on local environmental conditions.
- J. Place overlying materials in a manner that does not dislodge seams or create wrinkles in the geotextile and such that no excess tensile stresses occur in geotextile.

### 3.2 FIELD QUALITY CONTROL

- A. Notify the Engineer at least 48 hours before placing geotextile for any purpose.
- B. Should the geotextile be damaged to the extent that it is no longer usable as determined by the Engineer, replace the portion of geotextile as directed by the Engineer at no additional cost to the Owner.
- C. Remove damaged areas of a size exceeding 10 percent of the roll width and replace across the entire roll width with new material. Damaged areas of a size less than 10 percent of the roll width may be patched. All patches must extend a minimum of 18 inches beyond the damaged area in all directions. The patch shall be sewn by hand or machine or heat bonded so as not to accidentally shift out of position during placement of overlying materials.

**END OF SECTION**



**SECTION 02310  
SEEDING AND MULCHING**

**PART 1      GENERAL**

**1.1      SECTION INCLUDES**

- A.      This Specification Section covers seeding of grasses and shrubs.
- B.      Principal items of work include:
  - 1.      Surface preparation of new cut and fill slopes and areas where the existing surface has been disturbed by construction activities.
  - 2.      Fertilizing, seeding, mulching, and tackifying.
- C.      Slopes on the pond side of detention ponds and access roads shall not be seeded.

**1.2      GENERAL REQUIREMENTS**

- A.      Seeding and revegetation of new cut & fill surfaces and areas that require revegetation due to disturbance from construction activities shall obtain plant growth sufficient to prevent soil erosion within a two year period.

**B.      REFERENCES**

Association of Official Seed Analysis

**1.3      SUBMITTALS**

- A.      Reclamation inspector's name and qualifications.
- B.      Qualifying experience and names, addresses, and telephone numbers of person responsible for supervision of seeding.
- C.      Soil analyses, test results, and fertilizer recommendations.
- D.      Seed mix design including seed, fertilizer, mulch, tackifier, and any other materials to be included in the seeding work. Include manufacturer literature.
- E.      Seed testing certificate.
  - 1.      Certify that each lot of seed has been testing by a testing laboratory certified in seed testing, within 6 months of date of delivery. Include with certification:
    - a.      Name and address of laboratory
    - b.      Data of test
    - c.      Lot number of each seed specified
    - d.      Test Results: (i) name, (ii) percentages of purity and of germination and (iii) weed content for each kind of seed furnished.
    - e.      Mixtures: Proportions of each kind of seed.
    - f.      Origin of seed.
    - g.      Certification the seed is 99% weed free.
- F.      Mulch weed free certification
- G.      Calculations for rate of application for seed, mulch, and tackifier.
- H.      Method and equipment for planting.
- I.      Watering system and source for watering during planting and maintenance.

- J. Maintenance procedures during warranty period.
- K. Warranty.

#### 1.4 QUALITY ASSURANCE

- A. Contractor shall provide qualified inspectors to determine and ensure Contractor compliance with the project seeding and mulching requirements at all times.
- B. Contractor shall comply with Owner, Utah Division of Oil Gas and Mining (DOG M), and other local, state, and federal regulatory agencies rules and regulations applicable to fertilizer and herbicide composition and pesticide use.
- C. Notify Manager at least 3 days in advance of:
  - 1. Each material delivery
  - 2. Start of seeding activity
- D. Seeded areas shall be reviewed by the Manager for bare soils caused by surface or wind erosion. Bare areas caused by surface or gully erosion, blown away mulch, etc. shall be re-graded, seeded, mulched and have mulch tackifier (or erosion mat) applied as necessary.
- E. Permanent seeded areas on slopes greater than 4:1 (horizontal to vertical) shall install Erosion Mat or equal. See Section 02320 Erosion Mat.
- F. Perform work under favorable weather and soil moisture conditions as determined by acceptable local practice.

#### 1.5 MATERIAL STORAGE AND HANDLING

- A. Provide for transportation, unloading, temporary storage, and handling required for installation of all Contractor-furnished materials.
- B. Provide receiving inspection.
  - 1. Each type of seed shall be delivered in separate sealed containers and fully tagged unless exception is granted in writing by Manager.
  - 2. Seed shall be labeled in accordance with the state laws and the U.S. Department of Agriculture rules and regulations under the Federal Seed Act in effect on the date of invitations for bids. Bag tag figures are evidence of purity and germination.
- C. Store all received material in an orderly fashion and in accordance with the Manufacturer's recommended storage requirements. Maintain a material storage and inspection log. Each lot of material shall be clearly labeled as to its production source and intended use.
- D. Contractor shall provide Engineer access to and assist Engineer in inspecting all received materials and their associated documentation.

#### 1.6 WARRANTY

- A. Provide a warranty that guarantees the germination and growth of the seeded plants for a two year period.

**PART 2 PRODUCTS**

**2.1 EQUIPMENT**

- A. Seeding Equipment: All seeding equipment (broadcast-type, or rangeland drills) will be calibrated and adjusted to sow seeds at the proper seeding rate. Equipment shall be operated in a manner to ensure complete and even coverage of the entire area to be seeded.
- B. Mulch Application Equipment: The straw that is to be applied as mulch shall be applied with a manure spreader or Finn-type blower, or shall be applied by hand in areas too small to allow equipment. The equipment shall be capable of applying the straw in a uniform application at the specified rate, without chopping or cutting the straw smaller than 8 inches in length.
- C. Soil Sampling Equipment: Soil sampling equipment shall consist of standard steel or coated steel hand operated soil coring equipment capable of collecting the entire length of a soil core to the specified depth. Core dimensions shall range from 3/4" to 1 1/2" in diameter.

**2.2 MATERIALS**

- A. Seed: All approved seed mixes shall be furnished in bags or containers clearly labeled to show the name and address of the supplier, the seed name, the lot number, net weight, and percent of weed seed content and the guaranteed percentage of purity and germination. All brands furnished shall be free from noxious weed seeds as specified in the Utah Seed Law. Contractor shall furnish to Engineer a signed statement certifying that the seed furnished is from a lot that has been tested by a recognized state approved laboratory for seed testing within 6 months prior to the date of seeding; four copies shall be delivered to Engineer. Seed which has become wet, moldy, or otherwise damaged in transit or in storage will not be acceptable.
- B. Seed and seed labels shall conform to all current state and federal regulations and will be subject to the testing provisions of the Association of Official Seed Analysis.
- C. The formula used for determining the quantity of pure live seed shall be: (pounds of seed) x (percent purity) x (percent germination) = pounds pure live seed (PLS). All seeding rates shall be based on PLS.
- D. Fertilizer:
  - 1. Approved fertilizer shall conform to the applicable state fertilizer laws. It shall be uniform in composition, dry and free flowing, and shall be delivered to the site in the original, unopened containers each bearing the Manufacturer's name and product name. Fertilizer which becomes caked or otherwise damaged, making it unsuitable for use, shall not be accepted.
  - 2. All fertilizer used shall be time-release type product which will release nutrients slowly.
  - 3. Fertilizer composition and the rate of application shall be based on soil analysis results to be obtained by Contractor. Submit calculations to Engineer for review.
  - 4. Provide a certificate certifying that the fertilizer will correct nutrient deficiencies as determined by the soil analyses.
- E. Seed and seeding rate:

Species	Scientific Name	Seeding Rate, Pounds of PLS per acre
Grasses		

Nuttal alkaligrass	<i>Puccinellia airoides</i>	2
Squirreltail	<i>Sitanion hystrix</i>	4
Red threeawn	<i>Aristida longiseta</i>	4
Meadow foxtail	<i>Alopecurus pratensis</i>	3
Sandberg bluegrass	<i>Poa secunda</i>	3
Total Grasses		16
Shrubs		
Shadscale	<i>Atriplex confertifolia</i>	3
Fourwing saltbrush	<i>Atriplex canescens</i>	4
Gardner saltbush	<i>Altriplex gardneri</i>	4
Rabbitbrush	<i>Chrysothamnus nauseosus</i>	3
Greasewood	<i>Sarcobatus vermiculatus</i>	3

1. All seeds shall be collected locally. Locally shall mean northern Utah and northeast Nevada.
  2. Rate is in terms of pure live seed for drill seeding only. Rates for broadcast seeding shall be doubled.
- F. Mulch: Mulch shall consist of straw from wheat, oats, or barley from the recent year's crop. The straw shall be clean and bright and shall not contain more than 1 percent of any plants other than the grain species. The rate of application shall be not less than 1-1/2 tons per acre. The straw shall not be less than 8 inches in length when it is placed on the ground. Mulch shall be free from noxious weed seeds, plants, and free from substances detrimental to plant life. Musty, moldy, caked, or straw mulch otherwise of low quality will not be accepted.
- G. Tackifier: Tackifier shall be approved for use with whole wood fiber mulch and shall be applied at a rate consistent with Manufacturer's recommendations for the amount, rate, and type of mulch being applied. Tackifier shall be nontoxic to animals, soil microorganisms, aquatic and plant life and shall not interfere with or impede seed germination or vegetative growth and establishment.
- H. Watering
1. Description: This work shall consist of any watering required to prepare the area prior to seeding and any watering required after seeding until such time as the vegetation has become established and can survive without such watering or until end of warranty.
  2. Contractor is responsible to provide all watering systems until each seeded area produced grass.

### PART 3 EXECUTION

#### 3.1 GENERAL

- A. Drill in or sow seed in accordance with these Specifications, the accepted submittals, and accepted horticultural practice, on all new fill slopes, all areas disturbed by construction activities, and the visual buffer. The work shall also include soil preparation, furnishing and spreading fertilizer, mulching and tackifying, and watering as required to promote the germination and establishment of the seeded species.

#### 3.2 CONSTRUCTION REQUIREMENTS

- A. Submittals must be approved by Engineer before seeding starts.
- B. Soil Sampling and Analysis:

1. Collect a minimum of 2 soil samples for each homogeneous area to be seeded; however, each sampling area shall not exceed 5 acres in size. Additional

samples shall be taken in any area exceeding 5 acres. Sampling locations will be designated by Engineer. All soil samples shall be taken within one year of seeding and shall be taken early enough to ensure that analysis results are received in time for seeding work.

2. Each sample shall be comprised of not less than 10 composite subsamples taken at random locations across the 5 acre area. Subsamples shall be taken at a depth of 6 to 8 inches with a standard soil sample coring implement. The subsamples shall be collected along the entire length of the core and thoroughly mixed to form each sample. Actual sample volume shall be specified by the soil test lab. Samples shall be submitted to the Utah State University Soil Testing Lab, Logan, Utah, 84322-4930 (telephone 801-797-2217) for analysis. Soil samples shall be mailed to the lab the same day they were collected.
3. Analytical requirements shall include at a minimum the following test data for each sample:
  - a. Texture
  - b. pH
  - c. EC(conductivity)
  - d. SAR (sodium adsorption ratio)
  - e. Lime (CaCO<sub>3</sub> equivalent)
  - f. CEC (cation exchange capacity)
  - g. Nitrate-N (available nitrogen, ppm NO<sub>3</sub>-N)
  - h. P (phosphorus)
  - i. K (potassium)
4. The test results and fertilizer recommendations shall be submitted to Engineer before planting.

C. Seeding:

1. If soil in the area to be seeded has been compacted by heavy equipment, Contractor shall rip the top surface of soil to a depth of 2 feet. Following ripping, the soils shall be disced with a heavy off-set disc to an 8-inch depth. The top two inches shall be friable and free of clods.
2. Granular fertilizer shall be applied per soil test recommendations at the time seed is sown. For drilling seeding, fertilizer shall be applied with a special fertilizer attachment recommended by the drill manufacturer. For broadcast seeding, fertilizer shall be spread at the same time seed is broadcast. For either drill or broadcast seeding, fertilizer application shall not interfere with the proper seeding requirements. Fertilizer application shall be based on soil test results. One-fourth the recommended fertilizer level shall be placed at the time of seeding. In July or August of the summer following seeding, the full amount of fertilizer recommended by the soil test results shall be applied.
3. Seeding shall be accomplished by Contractor by means of approved broadcast-type seeders, or mechanical rangeland-type drill. Seed shall not be drilled or sown during windy weather or when the ground is frozen or otherwise untillable. The seeds of Nuttall alkaligrass and Sandberg bluegrass shall be planted separately from the seeds of other species if the seeds are drilled. The seeds of these two grasses shall be either metered in separate drilling equipment seedboxes to a depth no deeper than ¼ inch, or shall be placed directly on the surface of the soil from drilling equipment and covered with soil no deeper than ¼ inch by dragging a light chain behind the drill. Adding granular fertilizer to the seedbox may aid in the accurate metering of the seeds. If this technique is used, the fertilizer shall be composed of granules the same size as the seeds, and shall be thoroughly mixed with the seeds in the seedbox.
4. Rangeland drills shall be followed by packer wheels or drag chains. Depth bands shall be set to maintain a plant depth of between ¼ and 1/8 inch and shall be set to space the rows not more than 7 inches apart.

5. Drill seeding shall be the preferred method of seeding. Broadcast or hydraulic seeding shall be utilized only in places where it is impossible to operate drill seeding equipment, such as areas with slopes greater than 2:1, or where soft ground conditions will not support the weight of low ground pressure equipment.
6. Seed sown by broadcast or hydraulic seeders shall be covered with soil to a depth of not more than ¼ inch by dragging with a light harrow, chain, cultipacker or other method within 6 hours following seeding. Hand broadcasting of seed shall be done on small areas not accessible to machine methods. Any hand broadcast seed shall be manually raked into the upper surface of soil.
7. Following seeding, either by drilling or broadcast seeding, immediately firm the seeds into the soil by cultipacking or rolling.
8. If inspections indicate that strips wider than the specified space between the rows planted have been left without seeding or other areas skipped, Engineer may require immediate resowing of seed in such areas at no additional cost to Owner.
9. Allowable seeding periods are October 20 through December 1. Seedbed preparation may be conducted earlier in the year when the soils are dry. Seedbed preparation shall not occur when the soils are saturated. Proposed seeding dates must be approved by Engineer.
  - a. Do not seed or fertilize when ambient temperature is below 38 degrees F without approval of Manager.
  - b. Do not seed or fertilize when ground is snow covered or frozen
  - c. Do not seed or fertilize when wind velocities prevent uniform application of materials or would drift materials.

D. Mulching:

1. All areas shall be mulched with straw mulch the same day they were seeded. The straw mulch shall be immediately crimped into the surface with a crimper specifically designed for rangeland seeding work, consisting of a disk-type roller with notches designed to punch the straw into the ground without cutting it. The discs shall not be spaced more than 10 inches apart. The straw shall be embedded into the soil at a depth of 2-3 inches.
2. Areas not properly mulched or damaged shall be repaired and remulched and crimped at Contractor's expense.
3. On slopes which cannot be mulched or on slopes steeper than 2:1, erosion mats or other approved blanketing materials properly anchored and secured may be used.
4. Areas not properly mulched or damaged shall be repaired and remulched or tackified at Contractor's expense.
5. Do not mulch when wind velocities prevent uniform application of materials or would drift materials.

E. Tackifier:

- a. Apply tackifier at the rate and using methods recommended by the manufacturer. The manufacturer's written instruction and applied at a rate for the soil type, roughness of surface, conditions and degree of slope.

3.3 MAINTENANCE AND PROTECTION

- A. Contractor shall protect seeded areas from traffic and erosion. Any damage caused by traffic or erosion shall be repaired at Contractor's expense prior to acceptance.

### 3.4 ENVIRONMENTAL CONTROLS

- A. Provide fugitive dust control measures in all construction work areas and for all seeded areas until acceptance.
- B. Provide erosion and surface runoff control measures in all construction work areas and for all seeded areas until acceptance in accordance with Section 01410: Temporary Erosion Control.

### 3.5 FIELD QUALITY CONTROL

- A. Perform the tests and field quality control activities specified. If any deficiencies are revealed during the performance of the work, such deficiencies shall be corrected by Contractor at no expense to Owner and the tests shall be reconducted.
- B. Provide receipt inspections to verify that the materials are of the types and quantities required for the Work, are not damaged or exhibit other unsatisfactory characteristics (e.g., not properly packaged for storage).
- C. Perform field quality using Contractor labor and equipment. Arrange and pay for all required independent laboratory testing unless otherwise stated. Coordinate all quality control activities with Engineer as required by the Specifications and the Contract Documents.
- D. Inspect all materials and equipment for the Work to ensure that the items are in accordance with the requirements of this Section, other Contract Documents and Engineer-accepted submittals.
- E. Inspect work areas during work to ensure that approved equipment and materials are being used, that approved installation procedures are being followed, and that adequate pollution controls are being applied in accordance with applicable requirements.
- F. Continue to inspect seeded areas during maintenance period (after installation is complete and prior to acceptance). During these inspections, Contractor shall observe the condition of the seeded areas with respect to erosion or displacement of mulch, seed germination and plant growth, adequacy of dust control measures, and condition of runoff and sedimentation control measures. Based on these inspections, Contractor shall take appropriate measures to correct any deficiencies. Inspections shall be conducted in accordance with the requirements of Section 01570: Temporary Erosion Control.
- G. Document all inspections and submit each record to Engineer no later than 3 working days after the date of the inspection. The report shall include the time, date, name of inspector, weather conditions, areas inspected, on-going activities and general condition of the inspected areas. Note any damage to seeded surfaces or apparent problems with seed germination or plant growth. Notify Engineer, correct immediately and reinspect as soon as possible to confirm that the corrective action is effective.
- H. All materials and each part or detail of the work are subject to inspection by Engineer. Engineer shall be provided access to all parts of the work and shall be furnished with such information and assistance by Contractor as is required to make a complete and detailed inspection.
- I. Contractor shall maintain an orderly and current file of all submittals, approvals, inspection reports, field test reports, and Engineer-furnished laboratory test results.
- J. Contractor shall unconditionally guarantee a satisfactory stand of grasses in all locations seeded throughout the entire warrantee period.

END OF SECTION

**SECTION 02320  
EROSION CONTROL MAT**

**PART 1 GENERAL**

1.1 SECTION INCLUDES

- A. Furnishing and installing Erosion Control Mat.

1.2 SUBMITTALS

- A. Manufacturer's material certification and technical data for the performance of the Erosion Mat. Provide samples of the Erosion Mat proposed for installation.
- B. Manufacturer's installation instructions. Highlight all special provisions required for installation.

1.3 QUALITY ASSURANCE

- A. Manufacturer's material certification is acceptable in lieu of acceptance testing. The Manager will determine the acceptability of the placement of the Erosion Mat. Any work found unsatisfactory shall be corrected to the requirements of the contract, drawings, and specifications.

1.4 WARRANTY

- A. Contractor shall guarantee products and shall warrant that materials and workmanship utilized in their manufacture and in their installation are in accordance with Contract Document requirements, and correct at his own expense any defects not due to ordinary wear and tear or improper use, which may develop within 12 months from start of service. Start of service is defined as the date final acceptance is provided to Contractor in written form by Manager.
- B. In the event that the Erosion Mat does not meet all requirements of the contract, drawings, and specifications, the Contractor shall promptly remove from premises all unsuitable material and promptly replace with acceptable material. The Contractor shall bear all expenses of Erosion Mat replacement. Warranty work shall be undertaken at times convenient to Owner.
- C. If work is not remedied within reasonable time, as fixed by written notice from the Manager, the Manager may correct such at the Contractor's expense.

1.5 DELIVERY, STORAGE, AND HANDLING

- A. Packing and shipping:
  - 1. Erosion Mats shall be supplied in rolls wrapped in impermeable protective covers.
  - 2. Erosion Mat rolls shall be marked or tagged with the following information:
    - a. Manufacturer's name
    - b. Date of Manufacture
    - c. Product Identification
    - d. Roll Number and Dimensions
    - e. Special Handling, Transportation, and Storage Instructions
- B. Storage and Protection:



1. The Contractor shall provide on-site storage for the Erosion Mat rolls from the time of delivery until installation.
  2. The Contractor shall store and protect the Erosion Mats from dirt, water, and damage.
  3. The Contractor shall preserve the integrity and readability of the Erosion Mat roll labels.
- C. Handling: The Contractor shall remove and replace all damaged material before the time of installation.

## **PART 2 PRODUCTS**

### **2.1 EROSION MAT**

- A. Machine-produced erosion mat comprised of approximately 70% straw and 30% coconut fiber with a functional longevity of up to 18 months and 100% biodegradable.
- B. Constructed of consistent thickness with the straw and coconut materials evenly distributed over the entire area of the mat. Covered on the top and bottom sides with 100% biodegradable woven, natural, organic fiber netting.
- C. Meeting the requirements established by the Erosion Control Technology Council (ECTC) Specification and the US Department of Transportation, Federal Highway Administration's (FHWA) Standard Specifications for Construction of Roads and Bridges on Federal Highway Projects, FP-03 Section 713.17 as a type 3.B Long-term Erosion Control Blanket.
- D. Manufactured with installation staple patterns clearly marked on the mat with environmentally safe paint and colored thread stitched along both outer edges as an overlap guide for adjacent mats.
- E. North American Green SC150BN or equal.
- F. Fasteners (staples) shall meet the manufacturer's specifications.

## **PART 3 EXECUTION**

### **3.1 EXAMINATION**

- A. Contractor is responsible to completely examine the site prior to commencement of the work and immediately report any conditions which may affect or alter the performance of the work to the Manager.
- B. Commencement with the work described herein will constitute acceptance of the site for performance of the work by the Contractor.

### **3.2 PREPARATION**

- A. The surface on which the Erosion Mat is to be placed shall be graded smooth and free of trash and debris. Seed and mulch areas under the Erosion Mat before installing in accordance with Sections 01410 Temporary Erosion Control and 02310 Seeding and Mulching.

### **3.3 INSTALLATION**

- A. Place Erosion Mat on areas steeper than 4:1 (horizontal to vertical slopes) after seeding and mulching in accordance with Sections 01410 Temporary Erosion Control and 02310 Seeding and Mulching.

- B. Place Erosion Mat immediately after seeding and mulching. Install Erosion Mat in accordance with the manufacturers written instructions and this section.
- C. Anchor blankets at the top of the slopes by placing the upper edge of the blankets in a 6" deep x 6" wide anchor trench with approximately 12" of blankets extended beyond the up-slope portion of the trench. Backfill and compact the trench with excavated topsoil material after stapling. Apply seed to the compacted soil in the trench and fold remaining 12" portion of blankets back over seed and compacted soil. Secure blankets over compacted soil with a row of staples/stakes spaced approximately 12" apart across the width of the blankets in the trench.
- D. Lay each strip flat without stretching. When more than one strip is required to cover the area, overlap matting a minimum of four inches along the side edges and ends.
- E. Hold the blanket in place by means of staples driven vertically into the soil to the manufacturer's recommended staple pattern.
- F. Spread blankets evenly and smoothly and in contact with the soil at all points. Press blankets into the soil with a light lawn roller or similar methods.
- G. Erosion Mats shall be placed on soil slope areas steeper than 4:1 (horizontal to vertical slopes). Erosion Mat seams shall be placed parallel with the direction of water flow or as required by the manufacturer. Do not place seams formed by edges of adjoining blankets in the middle of ditch inverts.
- H. Erosion Mats shall be fastened to the subgrade at the spacing interval and pattern recommended by the manufacturer. A common row of fasteners shall be used at seams formed by adjoining mats.

#### 3.4 FIELD QUALITY CONTROL

- A. All materials and each part or detail of the work shall be subject to inspection by the Manager. Manager shall be provided access to all parts of the work and shall be furnished with such information and assistance by the Contractor as is required to make a complete and detailed inspection of the work.
- B. Do not proceed with work in this Section until finish grading work is complete.
- C. The Contractor shall provide the Manager with 48 hours prior notice of a request for surface preparation, and for final installation inspection.
- D. Maintain and repair Erosion Mat as required, until final acceptance by the Manager.

#### 3.5 TEMPORARY EROSION CONTROL

- A. Provide temporary erosion control in accordance with Section 01410 as required to protect embankments and property. As the Erosion Mat placement proceeds, remove any and all temporary erosion control in such a manner so as to prevent damage or disruption to the other construction activities and the surrounding property.

**END OF SECTION**

**SECTION 03110  
CAST-IN-PLACE CONCRETE**

**PART 1 GENERAL**

1.1 SECTION INCLUDES

- A. This Specification Section covers the supply and installation of cast-in-place concrete, formwork, curing and associated work.

1.2 GENERAL REQUIREMENTS AND PROCEDURES

- A. To be complete, this Section requires the use of American Concrete Institute Standard ACI 301, "Specifications for Structural Concrete for Buildings." This Section supplements and modifies ACI 301 and shall take precedence where conflicts exist.
- B. Work shall be performed in accordance with this Section, with other Sections referenced in this Specification and in the Contract, with the Drawings referenced in the Contract, and with other requirements set forth in the Contract itself.
- C. Work may be performed coincidentally with work by others.
- D. Except as noted, concrete work shall conform to recommended practice contained in related references given in Section 1.5 of ACI 301.

1.3 REFERENCES

- A. ACI 301- Specification for Structural Concrete for Buildings
- B. ACI 318 – Building Code Requirements for Reinforced Concrete
- C. ACI 305R – Hot Weather Concreting
- D. ACI 306 – Cold Weather Concreting
- E. ACI 350 – Code Requirements for Environmental Engineering Concrete Structures and Commentary
- F. ASTM C33 – Concrete Aggregates
- G. ASTM C39 - Test Methods for Compressive Strength of Concrete Cylinder Specimens
- H. ASTM C94 – Ready-Mixed Concrete
- I. ASTM C109 – Standard Test Method for Compressive Strength of Hydraulic Cement Mortars (Using 2 Inch Cube Specimens)
- J. ASTM C25 – Definition of Terms Relating to Concrete and Concrete Aggregate
- K. ASTM C150 – Portland Cement
- L. ASTM C171 – Sheet Materials for Curing Concrete
- M. ASTM C260 – Air Entraining Admixtures for Concrete
- N. ASTM C309 – Liquid Membrane – Forming Components for Curing Concrete
- O. ASTM C494 – Chemical Admixtures for Concrete
- P. American Plywood Association (APA) U.S. Product Standard PS-1 for Construction and Industrial Plywood.

#### 1.4 SUBMITTALS

CONTRACTOR shall submit the following for OWNER'S REPRESENTATIVE's review:

- A. Quality Control Plan
- B. Information for all CONTRACTOR-furnished products organized as follows:
  - 1. Name of specific product including manufacturer and model or product identification.
  - 2. Mix design for concrete to be place. Mix design must be approved by OWNERS REPRESENTATIVE 4 days prior to first concrete placement.
  - 3. Whether or not product exactly meets Drawing and Specification requirements and list of differences if it does not.
  - 4. Published information and certifications pertaining to product including, but not limited to, catalog cuts, manufacturer's certifications and tests, shipping instructions, shipping labels, preparation instructions, and installation instructions.
- C. Copies of certified laboratory test results with supporting test data for mix design, aggregate, admixture, bonding adhesive, grout, non-shrink mortar, and curing compound.
- D. Mill test reports for cement.
- E. Concrete delivery tickets.
- F. Field records including:
  - 1. All QC documentation.
  - 2. Field Survey records.
- G. As-built drawing that accurately depicts each concrete structure as constructed including the structure's location and orientation, dimensions, elevations, and location/position of embedded piping or conduits which are concealed from view and anchor bolts or plates.
- H. CONTRACTOR shall submit a Concrete Placement Plan which describes equipment, manpower, concrete supervisor qualifications and description of proposed concrete operations.

#### 1.5 QUALITY ASSURANCE

- A. CONTRACTOR shall provide and maintain a Quality Control Program
- B. CONTRACTOR shall test all materials as required by Specifications and standards referenced.
- C. CONTRACTOR shall have at least 10 years of documented experience in the installation of concrete of the type and complexity required by this Specification.

### PART 2 PRODUCTS

#### 2.1 GENERAL

- A. Where applicable, reference is made to material requirements given in ACI 301, Section 4.2.
- B. CONTRACTOR shall use manufactured materials in accordance with manufacturer's recommendations. If such recommendations differ from requirements specified, call to OWNER'S REPRESENTATIVE's attention before proceeding. The more stringent requirements will apply.

## 2.2 BASIC MATERIALS

- A. Portland Cement: (See ACI 301, Section 4.2.) For all concrete, use ASTM C150 Type II. When such properties as high early strength and air-entrainment are required, use admixtures. For exposed concrete, use same brand of cement throughout.
- B. Admixtures: (See ACI 301, Section 4.2.) Following are the only admixture materials which will be permitted in concrete.
1. Air-Entraining Admixture: ASTM C260, neutralized Vinsol resin, containing no chlorides, compatible with water reducing admixture, such as W.R. Grace, Daravair; Master Builders, MB-VR; Sika, AER; or OWNER'S REPRESENTATIVE-approved equal.
  2. Water Reducing Admixture: ASTM C494, Type A, such as W.R. Grace WRDA; Master Builders Pozzoloth N; Sika Plastocrete-161, or OWNER'S REPRESENTATIVE-approved equal. When required by climatic and other job conditions at time of placement, use (1) Type D water reducing and retarding admixtures, such as W.R. Grace, Daratard; Master Builder, Pozzoloth Retarder; or Sika, Plastocrete-161R; or (2) Type E water reducing and accelerating admixtures, such as W.R. Grace Darex Set Accelerator used with WRDA; Master Builder Pozzoloth HE; or Sika Plastovrete-161HE. Do not use Sika Plastocrete-161He in slabs cast on steel form deck or in concrete in contact with magnesium or aluminum. When requested by OWNER'S REPRESENTATIVE, CONTRACTOR shall obtain services of a full-time qualified concrete technician employed by the admixture manufacturer to assist in proportioning concrete mixes and to advise on subsequent adjustment of mixes to suit job conditions. OWNER'S REPRESENTATIVE will consider approving the use of substitute products provided they are of similar type, have been proven in field service for at least 10 years, and are capable of producing concrete meeting specified quality requirements with regard to slump, compressive strength, entrained air content, controlled rate of hardening, improved workability, and improved surface texture.  
Pumping Aid: Where included in design mix to assist in pumping concrete, use a water soluble lubricant that decreases friction in the pipeline and increases flow without interfering with the hydration of cement or the compressive strength of the concrete, such as W.R. Grace Darex Pumping Aid or OWNER'S REPRESENTATIVE-approved equal.
- C. Water: As per ACI 301, Section 4.2.
- D. Fine Aggregate: Standard fine aggregate, natural san, ASTM C33.
- E. Course Aggregate: Aggregate for Standard weight concrete shall consist of grave, crushed gravel or crushed stone conforming to ASTM C33.

## 2.3 FORM MATERIALS AND RELATED ITEMS

- A. See ACI 301, Section 2.
- B. Forms: Use wood, steel or other approved material based on safety, and quality of finished work. Plywood for forms and form liners used on exposed concrete work shall conform to U.S. Product Standard PS-1, High Density Overlay, stamped with APA grade trademark, such as Simposn Form Guard 5 ply EXT-DFPA-Plyform, 5/8 inch thick. Earth cuts shall not be used as forms unless approved by OWNER'S REPRESENTATIVE. Shop drawings are not required for formwork.
- C. Form Ties: For exposed work, use type so arranged that when forms are removed, no metal will be closer than  $\frac{3}{4}$  inch from any surface.

- D. Compressible Form Material: A material which is sufficiently rigid to support concrete in smooth plane when placed, and capable of being compressed under force of building expansion, such as Dow Chemical Co., Styrofoam SM or OWNER'S REPRESENTATIVE-approved equal.

#### 2.4 CURING MATERIALS

- A. See ACI 301, Section 12.1.
- B. Curing Compound: Liquid membrane-forming type (sodium silicate type not approved) meeting all requirements of ASTM C309, Type 1D clear or translucent, having a fugitive dye to facilitate visual check of coverage. Use of Type 2 or 3 white or light gray pigmented type is required during hot weather. Instructions on containers of compound delivered to the job shall clearly state the maximum coverage rate which meets ASTM C309 moisture retention requirement.
- C. Waterproof Sheet Materials: Any of the types listed in and meeting requirements of ASTM C171: waterproof paper, 4 mil polyethylene film, white burlap polyethylene sheet.
- D. Sealing materials for laps in waterproof covering: pressure sensitive tape, nonstaining mastic, or other effective adhesive recommended by covering manufacturer.
- E. Finishing Aid: Sprayable material designed to form a monomolecular film on fresh plastic concrete, and to retard moisture evaporation prior to finishing, such as Master Builders Confilm or OWNER'S REPRESENTATIVE-approved equal.

#### 2.5 JOINT DEVICES AND FILLER MATERIALS

- A. Expansion Joint Material: ASTM D1752; closed polyvinyl chloride or molded vinyl foam, resiliency recovery of 95 percent if not compressed to more than 50 percent of original thickness, such as W.R. Meadows "Ceramar" or OWNER'S REPRESENTATIVE-approved equal.
- B. Water Stops: Polyvinyl chloride, such as Western Textile Products "Greenstreak" or OWNER'S REPRESENTATIVE-approved equal. Stops are to be centered with center bulb at the constructed joint and placed parallel to the wall.
- C. Elastomeric Sealant: ASTM C920 Type 2, Grade WS, Class 25; on-part urethane sealant-gun grade, such as Sonnebon "Sonolastic WP-1" or OWNER'S REPRESENTATIVE-approved equal.

#### 2.6 MISCELLANEOUS

- A. Nonshrink Grout for Structural Application: Ready-to-use non-metallic type grout conforming to the requirements of ASTM C1107. Master Builders Masterflow 928 Grout for flowable and fluid applications, Master Flow 713 for dry pack application of OWNER'S REPRESENTATIVE-approved equal. CONTRACTOR shall demonstrate that he can properly prepare and place grout by first mixing the grout following manufacturer's instructions and using no more than the recommended maximum water. CONTRACTOR shall then handle or pump the grout using the equipment he intends to use to place the material. After such handling, he shall cast 7 each 2 inch cubes and deliver to OWNER'S REPRESENTATIVE. OWNER'S REPRESENTATIVE will test three of the cubes for compressive strength at one day (24 hours) after casting, two cubes at 7 days, and two cubes at 28 days. OWNER'S REPRESENTATIVE may, at his option, delete the 7- and 28-day tests. OWNER'S REPRESENTATIVE's testing laboratory will perform the tests. Tests shall be in accordance with ASTM C109 except for the use of cover plates in accordance with ASTM C942. CONTRACTOR shall submit his mix design (percent water to grout mix by weight, mixing methods, and mixing time per unit weight dry grout). CONTRACTOR shall have satisfactorily demonstrated his ability to prepare the grout if at

least two of the cubes have compressive strengths at least 90 percent of the published one-day strength for that product. Thereafter, CONTRACTOR shall use the demonstrated mix design and shall accurately measure and record the amount of water used to prepare each batch. If he wishes to change mix design or placement procedures, CONTRACTOR shall repeat demonstration.

- B. Nonshrink Mortar for Patching Purposes: Read-to-use non-metallic aggregate type, similar to nonshrink grout, but graded finer to facilitate featheredging of patches, such as Master Builders Embecco Pre-Mixed Mortar or OWNER'S REPRESENTATIVE-approved equal. Nonshrink mortar shall be prepared and applied in accordance with manufacturer's recommendations.
- C. Bonding Adhesive: Two component epoxy resin system, such as Sika Sikadur Hi Mod or OWNER'S REPRESENTATIVE-approved equal. Bonding adhesive shall be prepared and applied in accordance with manufacturer's recommendations.
- D. Anchor Bolts: In accordance with manufacturer's recommendations.
- E. Vapor Barrier: Unless otherwise shown on Drawing, 6-mil-thick clear polyethylene film type recommended for below-grade application.

## 2.7 CONCRETE MATERIALS AND ADMIXTURES

- A. As per ACI 301, Section 4, except as noted. Concrete shall have both structural strength and durability of exposure to the elements of soil and weather.
- B. Mix Requirements: Conform to following:
  - 1. Normal weight concrete.
  - 2. 4000 psi minimum compressive strength at 28 days.
  - 3. Portland cement ASTM C150 Type II.
  - 4. Maximum  $\frac{3}{4}$  inch coarse aggregate.
  - 5. Maximum slump = 3 inches.
  - 6. Air content range 4% minimum to 6% maximum by volume.
  - 7. Maximum water content ratio by weight = 0.45.
  - 8. For Pumped Concrete: Where concrete is to be pumped, the slumps indicated above are to be measured at the point of deposit, the outlet end of pump hose. Additional slump required for pumping shall be attained with the use of water reducing admixture.
- C. Air Entrainment: All concrete will have air entrainment because of its reduced permeability.
- D. Use of Admixtures: Only the admixtures specified in Article 2.2.B will be permitted in concrete. Mix designs shall take into account all admixtures required or proposed for use. When more than one type is used, they shall be of same manufacturer wherever possible, to assure compatibility.
  - 1. Use air-entraining admixture, not air-entraining cement, to obtain and control required air content.
  - 2. Water reducing admixture may be used in all concrete. Use proper type when conditions require that rate of early strength development be controlled. Concrete for mass concrete foundations shall contain a retarding-type water-reducing agent in amount recommended by manufacturer, based on the temperature encountered at time of placing concrete.
  - 3. Do not use calcium chloride in concrete.
- E. Average Strength: In meeting the strength requirements specified, the selected mixture proportion shall produce an average compressive strength exceeding the specified

strength by the amount indicated below. Where concrete production facility has test records, a standard deviation shall be established. Test records from which a standard deviation is calculated shall represent materials, quality control procedures, and conditions similar to those expected; shall represent concrete produced to meet a specified strength or strengths within 1000 psi of that specified for proposed work; and shall consist of at least 30 consecutive tests. A strength test shall be the average of the strengths of two cylinders made from the sample of concrete and tested at 28 days or at other tests age designated for determination of the specified strength.

- F. Where a concrete production facility does not have test records meeting the above requirements but does have a record based on 15 to 29 consecutive tests, a standard deviation may be established as the product of the calculated standard deviation and a modification factor from the following table:

<u>No. of Tests<sup>a</sup></u>	<u>Modification Factor for Standard Deviation</u>
Less than 15	See Note
15	1.16
20	1.08
25	1.03
30 or more	1.00

<sup>a</sup> Interpolate for intermediate number of tests.

Note: When a concrete production facility will less than 15 tests shall not be used.

## 2.8 PRODUCTION OF CONCRETE

- A. As per ACI 301, Chapter 7, except as noted.
- B. Ready-Mixed Concrete shall be used for all work, except that when small quantities (not over ½ cu yd) are needed for isolated items, concrete may be batch mixed at site, subject to prior approval by OWNER'S REPRESENTATIVE.
- C. Furnish a batch ticket (delivery ticket) with each load of concrete. Concrete delivered without a batch ticket containing complete information as specified shall be rejected. Collect and complete the batch ticket at the placement site and deliver all batch tickets to the Manager on a daily basis. The Manager shall have access to the batch tickets at any time during the placement. The following information shall be provided on each batch ticket:
1. Supplier's name and date
  2. Truck number
  3. Project number and location
  4. Concrete class designation and item number
  5. Cubic yards batched
  6. Time batched
  7. Mix design number
  8. Type, brand, and amount of each admixture
  9. Type, brand, and amount of cement and pozzolan
  10. Mass (weights) of fine and coarse aggregates
  11. Moisture of fine and coarse aggregate
  12. Gallons of batch water (including ice)
  13. Allowable water add at site.
- D. Add the following information to the batch ticket at the placement site:
1. Gallons of water added by truck operator plus quantity of concrete in the truck each time water is added
  2. Number of revolutions of drum at mixing speed (for truck mixed concrete)
  3. Discharge time



- 4. Location of batch in placement
  - 5. Water cement ratio
- E. Mixing Time: Concrete which has attained its initial set or has contained water for longer than listed below, shall not be deposited in the work.

<u>Concrete Temperature At Time of Placement</u>	<u>Maximum Time Before Placement</u>
Under 80°F	1 ½ hour
80°F - 85°F	1 ¼ hour
86°F - 90°F	1 hour
Over 90°F	1 hour, with OWNER'S REPRESENTATIVE's approval dependent on slump and use. Shall not use as structural concrete.

- F. The above mixing times may be extended with concrete set retarding admixtures to suit field conditions, submit mix designs in accordance with ACI-318, Chapter 5, trial mixture or average strength to OWNER'S REPRESENTATIVE for review.

### PART 3 EXECUTION

#### 3.1 FORMWORK

- A. Excavation, backfill, and other earthwork required to construct concrete structures shall be performed by CONTRACTOR in accordance with Section 02210.
- B. Formed surfaces shall be constructed as per ACI 301, Section 2, except as noted.
- C. Form Design and Construction: CONTRACTOR shall make forms accurately conforming to required line, grade and shape, and sufficiently tied and braced to maintain proper position and dimensions during concrete placing. Arrange forms and supports so they may be readily removed without damaging new concrete.
- D. Form Removal: CONTRACTOR shall adjust the following guideline for cold or hot weather conditions and if accelerating or retarding admixtures are used.
  - 1. Load supporting forms and shoring shall not be removed in less than 7 days and after cylinders have been broken and results indicate 75 percent of the required 28 day compressive strength has been attained. Superimposed construction loads must be restricted to one-half the design live load until full 28 day strengths are achieved.
  - 2. Nonload support forms may be removed as soon as practical without damaging the concrete by removal of its support, or by the stripping operation. For footings, grade beams, piers, floor slabs and similar work; minimum 72 hours.
  - 3. In all cases when forms are removed prior to total curing time specified, exposed surfaces must be cured and protected from damage.
- E. CONTRACTOR shall provide ¼ inch chamfer at all exposed concrete edges.

#### 3.2 PLACING

- A. CONTRACTOR shall place concrete per ACI 301, Section 5, except as noted.
- B. Preparation Before Placing:
  - 1. Cleaning: CONTRACTOR shall remove loose mill scale and rust, dirt and other coatings that would reduce or destroy bond from reinforcing steel. Thoroughly clean forms of hardened concrete, wood chips, shavings and other debris.

2. No concrete shall be placed in or under water. Reinforcing steel shall always be placed in the dry. Tremies shall be used to restrict the free fall of concrete to a maximum of three feet. Concrete shall not be placed on frozen ground.
3. If CONTRACTOR elects to do so, he may place a thin layer (approximately 3 inches in thickness) of lean concrete below the bottom of the structural foundation slabs to serve as a working platform and an aid to supporting the bar steel, etc. This concrete should be a uniform reasonably well graded mix, screeded to a reasonably level surface. This is not a requirement and if CONTRACTOR chooses to do so, this working slab shall be below and not a part of the structural foundation slab thickness as shown on the Drawings and shall be at CONTRACTOR's expense.
4. Concrete placement between defined construction joints shall be continuous monolithic concrete placement.
5. Before any concrete is placed, all ice, snow, and frost shall be completely removed by CONTRACTOR and the temperature of all surfaces to be in contact with the new concrete shall be raised to as close as may be practical to the temperatures of the new concrete that is to be placed thereon.
6. Arrangements for covering, insulating, or housing newly-placed concrete shall be made by CONTRACTOR in advance of placement and shall be adequate to maintain, in all parts of the concrete, the temperature and moisture conditions recommended herein for winter curing temperatures and methods. No concrete shall be placed on or against a frozen subgrade or one that contains frozen materials.
7. Notification: CONTRACTOR shall give twenty-four hours advance notice of the intent to place concrete to OWNER'S REPRESENTATIVE indicating that all formwork, embedments, and reinforcing steel have been inspected and accepted by CONTRACTOR's QC.
8. Pre-wet forms, concrete and foundations immediately prior to placing concrete against them.
9. CONTRACTOR shall place concrete in approximately final location and shall not move concrete laterally using vibrating equipment.
10. Pre-wet earth subgrade before placing concrete upon it. Subgrade shall be moist with no standing water.

C. Bonding: For joint surface preparation, see Article 3.3C.

### 3.3 JOINT AND EMBEDDED ITEMS

- A. CONTRACTOR shall install joints and embedded items per ACI 301, except as noted.
- B. Bonding: Where fresh concrete is placed on or against hardened concrete, obtain bond as specified in ACI 301, Section 5.3.
- C. Anchor Bolts and Embedded Items:
  1. Anchor bolts and other items to be embedded in concrete shall be plumb and securely held in place using structurally stable templates while the concrete is being placed. CONTRACTOR shall support these items adequately so that any movement of persons or equipment on adjacent bar steel will not create movement of the embedded item.
  2. Anchor bolts which are installed in pipe sleeves shall be accurately set both for alignment elevations and plumbness. Anchor bolt thread, nuts, and sleeves shall be protected from injury at all times and precaution shall be taken to keep the bolt sleeve open and free of concrete until the equipment to be set is in place. Anchor bolts in sleeves shall have the top 2 inches of the sleeve interior protected with approved material which is moisture resistant and will prohibit entry of water, snow, or ice. Application shall be easily removed and shall be placed immediately after bolts are concreted in place.

3. Unless otherwise shown or specified, all holding nuts shall be hexagonal. All anchor bolts shall be checked by CONTRACTOR for alignment, elevation, and plumbness prior to a concrete placement, during concrete placement, and immediately after the concrete has been placed. If an error is found, it shall be corrected and the corrected bolt shall be inspected by OWNER'S REPRESENTATIVE for acceptability.
  4. Tolerance for anchor bolt group settings shall be  $\pm 1/8$  inch from baseline.  $+ 1/16$  inch tolerance will be allowed within the group. All anchor bolts shall be rigidly held in proper position including plumbness and to elevation by means of heavy wood templates, or other approved material. Bottoms of bolts shall be securely wired to reinforcing steel to assure their retaining accurate position and plumbness. Templates and bolts shall be set in place before the concrete is placed. Welding of bolts to reinforcing steel will not be permitted. Reinforcing steel shall be set to avoid interference with anchor bolts. If an interference is found, it shall be corrected and the corrected installation reviewed by OWNER'S REPRESENTATIVE for acceptability.
- D. Control joints shall be provided accurately and neatly in floor slabs by one of the following methods:
1. Sawed: After 4 hours and generally before 12 hours after finishing concrete, when it is firm enough to resist raveling, tearing, or dislodging of aggregates, make cut approximately  $1 \frac{1}{4}$  inches deep or  $\frac{1}{4}$  slab thickness, using power saw, and blowing joints clean.
  2. Grooved: Using an appropriate jointing tool, carefully form a narrow groove approximately 1 inch deep. Do not use this method where heavy traffic is expected.
  3. Protect edges of control joints from physical damage; keep cuts clean and free of oil, grease or other contaminants until joint sealant is installed.
- E. Waterstops: Waterstops shall be installed to form a continuous watertight barrier. The joining of discontinuous ends shall be in strict accordance with the Manufacturer's printed instructions.
- 3.4 PATCHING OF SURFACE DEFECTS
- A. CONTRACTOR shall perform patching per ACI 301 Section 5, except as noted.
  - B. Concealed concrete surfaces not exposed to view upon completion, may be patched with nonshrink mortar specified herein.
  - C. Holes left after removal of form ties shall be cleaned and filled with non-shrink mortar. Holes left by removal of tie rods shall be reamed and filled with non-shrink mortar.
- 3.5 FINISHING OF FORMED SURFACES
- A. CONTRACTOR shall finish concrete per ACI 301, Chapter 10, and as specified below.
  - B. Selection of Finishes:
    1. Smooth Form Finish: Use for structure foundations and walls, and all exposed surfaces.
- 3.6 SLABS (FINISHING OF RELATED UNFORMED SURFACES)
- A. CONTRACTOR shall finish concrete slabs per ACI 301, Section 5, except as noted.
  - B. Finishes and Tolerances:

1. Broom Finish: Use with Class B tolerance, except as noted below.
2. Finishing of various areas shall be as follows:
  - a. Top surfaces of exposed foundations and exterior slabs shall receive a tight wood floated finish followed with a light broomed finish.
  - b. Top surface of foundations, grade beams, and walls below grade and not exposed to view shall receive a wood floated finish.
  - c. Float Finish: Slabs that are to receive a steel trowel finish shall be given a float finish. Screeding shall be followed immediately by darbying or bull floating before bleeding water is present, to bring the surface to a true, even plane. After the concrete has stiffened to permit the operation and the water sheen has disappeared, it shall be wood floated.
  - d. Trowel Finish: Slabs on interior of structures, excluding exterior slab surfaces, shall be given a trowel finish immediately following floating. Surfaces shall be trowelled to produce smooth, dense slabs free from blemishes including trowel marks. In lieu of hand finishing, an approved power finishing machine may be used in accordance with the directions of the machine manufacturer. A final hard steel trowelling shall be done by hand. Do not broom finish interior of structures.

### 3.7 CURING AND PROTECTION

- A. CONTRACTOR shall cure and protect concrete per ACI 301, Section 5, except as noted.
- B. General: Requirements for curing and protection specified in ACI 301 shall be strictly observed, with particular emphasis on the following:
  1. Initial curing may be accomplished by any of the methods given in ACI 301, except as noted, using materials specified herein. Use specified curing, sealing and hardening compound for final curing of slabs and foundations.
  2. Maintain initial curing for approximately 12 hours after finishing. Increase this period to 24 hours when air temperature is 75°F and above.
  3. Total curing period shall consist of 7 cumulative days, (3 days for high-early strength concrete) not necessarily consecutive, during which air in contact with concrete is above 50°F.
  4. For formed surfaces, keep wood forms in contact with concrete wet, as well as steel forms heated by the sun. After form removal maintain curing for remaining time of required curing period.
- C. Weather Requirements:
  1. Cold Weather: CONTRACTOR shall follow the recommendations in ACI 306R. Do not add any chemicals, anti-freeze or other foreign materials to concrete to prevent freezing. When placing concrete at or below 40°F, or when temperature is forecasted to fall below 40°F, both the mixing water and aggregates shall be heated to provide mixed concrete which shall be at a minimum temperature of 55°F when placed. Heat and protect placed concrete by tarpaulins, housing, or other approved coverings. Covering shall contain the heat around all concrete surfaces, including top of slabs. Maintain temperature at minimum of 50°F, for five days after placing and protect from freezing for an additional two days. At the end of this period, protection shall be removed in such a manner that the drop in temperature of any portion of the concrete shall be gradual and will not result in thermal cracking. Keep exposed surfaces wet during heating period. Concrete damaged by freezing shall be removed and replaced.
  2. Hot Weather: Follow the recommendations in ACI 305R. The maximum temperature of any concrete mix shall not exceed 90°F at the time the concrete is placed. The temperature of aggregate and mixing water shall be reduced by the use of chilled water or ice as required.

3. Warm, Dry, or Windy Weather: Use finishing aid specified to reduce moisture evaporation from freshly placed concrete when it is exposed to rapid drying conditions: direct sunlight, low humidity, heated interior, high wind, etc. prepare dilute solution and spray apply on plastic concrete immediately after screeding, at rate of 40 to 75 gallons solution/5000 sq ft. If drying conditions are particularly severe, make additional applications as required following various finishing steps.
- D. Use of Curing Methods: CONTRACTOR shall maintain curing protection in good condition during required period. Repair, reapply or replace when necessary.
1. Water: When excessive amounts of water are used for curing, provide means for removal so that harmful effects to other construction and to earth surfaces will be minimized.
  2. Waterproof Sheet Materials: These will be permitted for initial curing only. Use largest practicable size sheets. Lap joints not less than 4 inches and seal carefully. Anchor covering securely in place.
  3. Curing Compound (Also see par. 2.4B herein): Apply uniformly at a coverage rate not less than that stated by manufacturer which meets ASTM C309 moisture retention requirement.
  4. Reflective Materials: During hot sunny weather (generally 75°F and above) use of white or light colored curing materials is recommended to help keep down concrete surface temperature.

### 3.8 EVALUATION OF CONCRETE STRENGTH

- A. As per ACI 301, as applicable.

### 3.9 ACCEPTANCE OF STRUCTURE

- A. As per ACI 301, as applicable.

### 3.10 INCIDENTAL WORK

- A. CONTRACTOR shall perform the following incidental work:

B. Grouting:

1. Mixes: Grout mix shall consist of nonshrink grout material (specified under Miscellaneous Items) and water only. Use correct amount of water in accordance with manufacturer's recommendations.
2. Mixing for not less than 3 minutes shall be done in a mortar mixer as close as possible to locations of use. Do not mix more grout than can be placed in ½ hour period, and once mixed do not add water to retemper.
3. Forms shall be of adequate materials and strength, sufficiently tight to prevent leakage, and securely anchored to withstand applied pressure. Provide access space necessary for grout placement.
4. Preparation: Contact surfaces of concrete shall be cleaned of laitance, dirt, oil, grease and loose material, then roughened and saturated with water, and excess water removed. Metal members and anchor bolts shall be cleaned of dirt, oil, grease and loose material, and aligned, leveled and maintained in correct final position during grouting.
5. Placement: Grout shall be placed quickly and continuously, avoiding segregation, bleeding or breaking down of initial set. Grout may be poured, or placed by plunger, pump or pressure, as most practicable. Make sure spaces are completely filled and there are no voids.
6. Finishing: After initial set (within 12 to 24 hours), remove forms, cut off exposed edges vertically, and finish neatly. Cure grout with wet burlap for first 48 hours. Leveling devices shall remain undisturbed 48 hours after placing grout; if later removed, voids shall be pointed flush.

7. Test grout in accordance with ASTM C109. Eleven cubes will be prepared for each days grouting operation. Three cubes tested at 3 days, 3 at 7 days, 3 at 28 days and 2 held in reserve.
- C. Surface Protection: All concrete surfaces shall be protected from injury by construction activities, until acceptance of the work by OWNER'S REPRESENTATIVE. All concrete work shall be protected from dirt and oil at all times.

### 3.11 FIELD QUALITY CONTROL

- A. CONTRACTOR shall make submittals, perform all required inspections and field tests, and collect samples for OWNER'S REPRESENTATIVE-performed laboratory tests in accordance with the OWNER'S REPRESENTATIVE-approved Quality Control Plan and the requirements of this Section and other Contract documents. If any deficiencies are noted during any tests and inspections, such deficiencies shall be corrected by CONTRACTOR at no expense to OWNER and the tests shall be reconducted. OWNER'S REPRESENTATIVE will provide acceptance upon successful completion of field testing.
- B. Tests shall be in accordance with ACI 301.
- C. Testing requirements shall be as listed in ACI 301, modified and supplemented as follows:
1. Sampling, making specimens, capping, handling, curing and testing will conform strictly to referenced ASTM standards, and each procedure will be performed by authorized laboratory personnel only. Tests for slump, air content and compressive strength are required, but not for flexure unless specifically ordered.
  2. Five cylinders will be prepared for each 50 cubic yards of concrete or part thereof used in one day's placing of concrete. One cylinder will be tested at 7 days, 3 at 28 days, and 1 held in reserve.
  3. Laboratory will report test results to OWNER'S REPRESENTATIVE with copy to CONTRACTOR.
  4. In addition to the items to be reported as outlined in ASTM C39, the unit weight, air content, slump, temperature and pour location of test cylinders will be noted.
- D. CONTRACTOR shall coordinate with the OWNER'S REPRESENTATIVE's laboratory to assure proper performance of all required testing services. Promptly deliver concrete material samples, furnish mill test reports of cement and reinforcing steel, furnish assistance in obtaining samples and handling specimens, and provide necessary facilities at site for storage and curing. Test concrete aggregates in accordance with ASTM C33 for each 1000 cubic yards of coarse and fine aggregate.
- E. CONTRACTOR shall maintain an orderly and current file of all submittals, approvals, inspection reports, field test reports, and OWNER'S REPRESENTATIVE-furnished laboratory test results for each individual structure requiring more than one cubic feet of concrete.
- F. All tests shall be documented and provided to OWNER'S REPRESENTATIVE within 2 days of receipt of test results.

**END OF SECTION**

**SECTION 03210  
CONCRETE REINFORCEMENT**

**PART 1      GENERAL**

1.1    SECTION INCLUDES

- A.      Reinforcing steel and accessories for cast-in-place concrete, and epoxy dowels.

1.2    REFERENCES

A.      American Society of Testing and Materials International (ASTM)

1.      ASTM A185 – Standard Specification for Steel Welded Wire Reinforcement, Plain for Concrete
2.      ASTM A615 – Standard Specification for Deformed and Plain Carbon-Steel Bars for Concrete Reinforcement
3.      ASTM A706 – Standard Specification for Low-Alloy Steel Deformed Bars and Plain Bars for Concrete Reinforcement
4.      ASTM A767 – Standard Specification for Zinc-Coated (Galvanized) Bars for Concrete Reinforcement
5.      ASTM A775 – Standard Specification for Epoxy-Coated Reinforcing Steel Bars
6.      ASTM A780 – Standard Practice for Repair of Damaged and Uncoated Areas of Hot-Dip Galvanized Coatings

B.      American Concrete Institute (ACI)

1.      ACI 117 – Specification for Tolerances for Concrete Construction and Materials
2.      ACI 301 – Specifications for Structural Concrete
3.      ACI 318 – Building Code Requirements for Structural Concrete
4.      ACI 350 – Code Requirements for Environmental Engineering Concrete Structures
5.      ACI SP-66 – ACI Detailing Manual

C.      Concrete Reinforcing Steel Institute (CRSI)

1.      CRSI                      Manual of Standard Practice.
2.      CRSI 63                  Recommended Practice for Placing Reinforcing Bars.
3.      CRSI 65                  Recommended Practice for Placing Bar Supports, Specifications, and Nomenclature.

D.      American Welding Society (AWS)

1.      AWS D1.4 – Structural Welding Code for Reinforcing Steel

1.3    SUBMITTALS

A.      Quality Control Plan.

B.      Shop and Reinforcement Placement Drawings:

1.      Drawings showing complete information necessary for fabrication and placing
2.      Prepare shop drawings in accordance with ACI SP-66.
3.      Concrete cover for reinforcement shall conform to ACI 301, unless Drawings indicate otherwise.
4.      Indicate bar sizes; spacings; locations and quantities of reinforcing steel; bending and cutting schedules; and supporting and spacing devices.

5. Show locations of splices. Proposed reinforcing splices not indicated on the Drawings will require written approval by the Manager.
  6. Drawings submitted for review must bear evidence that they have been checked. Incomplete or unchecked drawings will not be reviewed. Changes made to previously submitted drawings must be encircled and identified as revisions and resubmitted as shown above for review.
  7. Review of drawings by Manager will be for adherence to overall basic design. Correctness of dimensions, proper design of details, quantities and field fit shall be the responsibility of Contractor.
- C. Mill Test Reports:
1. Submit mill test reports and other acceptable evidence that materials furnished comply with specified requirements.
  2. Smooth dowel coating.
- D. Epoxy adhesive manufacturers installation instruction for epoxy dowels.

#### 1.4 QUALITY ASSURANCE AND QUALITY CONTROL

- A. Perform concrete reinforced work in accordance with the CRSI Manual of Standard Practice and Document 63 and 65.
- B. All reinforcing steel furnished shall be identified with Manufacturer's mark and grade symbol.
- C. Manufacturer and Contractor shall provide and maintain a quality control program.
- D. Contractor shall have at least ten years of documented experience in the installation of concrete reinforcement of the type and complexity required by this Specification.
- E. Manufacturer and Contractor shall test all materials as required by Specifications and standards referenced
- F. All welding and welding procedures shall be in accordance with AWS D1.4.

#### 1.5 DELIVERY, STORAGE, AND HANDLING

- A. Submit a schedule which establishes reinforcing steel delivery dates.
- B. Provide receiving inspection per Article 3.3
- C. Store reinforcement of different sizes and shapes in separate piles or racks raised above the ground to avoid rusting.
- D. Handle and store in a manner to prevent damage to bars or coatings.
- E. All systems for handling epoxy-coated bars shall have padded contact areas. The bars or bundles shall not be dropped or dragged. Coated bars shall be stored on padded wooden or steel cribbing. Sufficient spacers and padding shall be used to prevent damage to the bars and coatings.
- F. Protect from contaminants such as grease, oil, and dirt.
- G. Provide identification after bundles are broken and tags removed.

#### 1.6 SPECIAL STORAGE, HANDLING, AND SHIPPING OF EPOXY-COATED REINFORCING

- A. Bars shall be handled and stored in a manner to prevent damage to bars or coating.



- B. All systems for handling epoxy-coated bars shall have padded contact areas. The bars or bundles shall not be dropped or dragged. Coated bars shall be stored on padded wooden or steel cribbing. Sufficient spacers and padding shall be used to prevent damage to the bars and coating.
- C. Bars shall be shipped using sufficient dunnage to adequately protect the bars and their external coating. Chains or steel bands shall not be used without sufficient padding to prevent damage to the coating.
- D. Bars shall be loaded for shipping in accordance with ASTM A775, and in compliance with all transport regulations.

## **PART 2 PRODUCTS**

### **2.1 REINFORCEMENT**

- A. Reinforcing Bars:
  - 1. ASTM A 615, 60 ksi minimum yield strength and 40 ksi for ties and stirrups; deformed billet steel bars; welding for fabrication or installation not permitted. Use for all concrete work unless indicated otherwise on Drawings.
  - 2. ASTM A 706, 40 ksi minimum yield strength, weldable low-alloy-steel reinforcing bars, deformed.
  - 3. Epoxy Coatings: Where shown or specified, provide epoxy coated bars in accordance with ASTM A775.
- B. Welded Wire Fabric: ASTM A185 Plain Type; in flat sheets; galvanized in accordance with ASTM A767 Class I finish.
- C. Smooth Steel Dowels
  - 1. Dowels: ASTM A615, Grade 60 round smooth steel bars.
  - 2. Bond Breaking Compound: Use a bond-breaking compound approved by the Manager.

### **2.2 ACCESSORY MATERIALS**

- A. Accessories shall be sized and shaped for strength and support of reinforcement during concrete placing. Accessories installed on top of vapor barrier shall be designed to not puncture vapor barrier during concrete placement.
- B. For Epoxy-Coated Reinforcement: Accessories supporting epoxy-coated reinforcement shall have an exterior coating of epoxy, vinyl, or other non-abrasive material. The coating shall extend the full length of the accessory or for 2 inches on either side of the point of contact with the epoxy-coated reinforcement, whichever distance is less. Reinforcing bars used as support bars shall be epoxy coated.
- C. Adjacent to Exposed Surfaces: Where concrete surfaces are exposed to weather or water in the finished structure, the portions of accessories in contact with formwork shall be plastic or epoxy-coated.
- D. Tie Wire: Minimum 16 gage annealed type.
- E. Chairs, Bolsters, Bar Supports, and Spacers: Sized and shaped for strength and support of reinforcement during concrete placement conditions, in accordance with CRSI Manual of Standard Practice. Use of concrete block, rocks, or other items for reinforcement support will not be allowed. Bar supports shall comply with requirements of ACI 301.

- F. Dowel Epoxy Adhesive: Hilti, Inc., Tulsa, OK; HIT Doweling Anchor System (HIT HY-150), or approved equal.

### 2.3 FABRICATION

- A. Fabricate concrete reinforcing in accordance with Manager approved shop drawings and ACI 318 and ACI SP-66.
- B. Reinforcing splices must be reviewed and approved in writing by the Manager.
- C. Welding reinforcing bars is not permitted unless shown otherwise on the Drawings. Reinforcing bars to be welded shall conform to ASTM A 706.
- D. Cut and bend bars at the mill or shop prior to shipment. Heating of reinforcement for bending or straightening will not be permitted.
- E. For epoxy-coated or galvanized reinforcement, clean and repair damaged coatings. For epoxy-coated items, repair in accordance with ASTM A 775. For galvanized items, repair in accordance with ASTM A780.
- F. Bundling and tagging shall be per CRSI Manual of Standard Practice. Secure like pieces in bundles and tag them for identification.
- G. All cuts and bends shall be made to conform to CRSI Manual of Standard Practice, ACI 117 or ACI SP-66.

## PART 3 EXECUTION

### 3.1 INSTALLATION

- A. Before placing concrete, clean reinforcement of loose rust, loose mill scale, dirt, grease, and other substances, which would impair bond with concrete. Remove rust by vigorous rubbing with burlap cloth or wire brushing.
- B. Accommodate formed openings.
- C. Place, support, and secure reinforcement against displacement. Do not deviate from required position.
- D. Place reinforcement in accordance with the Manager Approved Contractor's reinforcing steel placement submittals and CRSI 65.
- E. Splice reinforcing bars by lapping and securely wiring together. Splices are subject to written approval by the Manager and shall conform, to the requirements of ACI 318. Do not use mechanical splices. Do not weld or tack weld reinforcing bars.
- F. On ground concrete bricks may be used to support bars. Over formwork, use metal, plastic, or other approved bar chairs and spacers.
- G. Place and secure embedded metalwork and conduit so as to not interfere with reinforcement installation.
- H. Field bending of reinforcement is not allowed unless approved by the Manager in writing.
- I. Locate splices where shown on the Manager-approved shop drawings and conform to requirements in ACI 318, Class B.

- J. Place reinforcement with clear distance of 1-inch, minimum, between reinforcement and anchor bolts, form ties, or other embedded metalwork unless otherwise shown on Drawings.
- K. Tolerances:
  - 1. Maintain concrete cover over reinforcement within 1/2 inch of specified cover where specified cover is greater than 2-1/2 inches.
  - 2. Maintain concrete cover over reinforcement within 1/4 inch of specified cover where specified cover is 2-1/2 inches or less.
  - 3. Maintain spacing of reinforcing bars within 1 inch of required spacing.
  - 4. Tolerances provided in ACI 117.
- L. Placing Welded Wire Fabric:
  - 1. In lieu of high chairs or other supports, welded wire fabric may be laid on freshly placed and screed concrete. Screed the concrete to within 1 1/2 inches of top of slab, set the mesh reinforcing on fresh concrete and place the remaining concrete as soon as possible, without disturbing the position of the mesh and avoiding cold joints.
  - 2. Setting of welded wire fabric on forms or on grade and subsequent lifting or "hooking it up" through the plastic concrete is not permitted. "Walking-in" the wire mesh is not permitted.
- M. Repair of coating damage caused during shipping of field handling and placing shall conform to the following:
  - 1. Damage need not be repaired in cases where the damaged area is 1/4 by 1/4 inch or smaller and the sum of all damaged area in each 1-foot length of bar does not exceed 0.5% of the bar surface area in each 1-ft length of bar. All damaged areas larger than 1/4 inch square shall be repaired. The total bar surface area covered by patching material shall not exceed 2%.
  - 2. Areas requiring repairs shall be cleaned to remove dirt and damaged coating using surface grinders or other suitable means. Remove all dust, dirt, oil, grease, or other detrimental contaminants which impair adhesion of the repair material.
  - 3. Repair material for damaged epoxy coating shall be in accordance with the epoxy-coating applicator's recommendations for field repair of damaged coating.
  - 4. Repair material for damaged galvanized coating shall be accomplished using Manager-approved zinc-rich paint applied in accordance with ASTM A780 and the paint manufacturer's instructions.
  - 5. All coating repair work shall be at no additional cost to Owner.

### 3.2 EPOXY DOWEL INSTALLATION

- A. Install epoxy dowels only where shown on the Drawings or otherwise approved by the Manager.
- B. Install epoxy dowels in strict accordance with the manufacturers written instructions, including hole drilling and hole size, hole cleaning and preparation, epoxy injection, dowel placement, and cure times.

### 3.3 FIELD QUALITY CONTROL AND INSPECTION

- A. If any deficiencies are revealed during the performance of the Work, correct such deficiencies shall be corrected by Contractor at no expense to Owner.

- B. Provide receiving inspection to verify that all materials are of the types and quantity required for the Work, are not damaged or exhibit other unsatisfactory characteristics (to include but not limited to: proper packing for storage, dirt, moisture).
- C. Perform inspections as required to ensure that reinforcing materials, fabrication, and placement are in accordance with this section. Specifically, Contractor shall check reinforcement pieces prior to placement to ensure materials are as specified, fabrication is in accordance with Manager-approved shop drawings, pieces have proper tag numbers, and coatings are in acceptable condition. After placement, Contractor shall inspect reinforcement to ensure that it has been installed in accordance with the placement drawings, all required accessories are in place, reinforcing has been properly tied, and coatings are in acceptable condition.
- D. Maintain an orderly and current file by structure of approved submittals and inspection reports verifying compliance with the section.
- E. Notify the Manager at least 24-hours in advance of a requested concrete reinforcement inspection. Provide sufficient time in the schedule for the Manager to inspect the reinforcing steel prior to placement of concrete. Concrete placed without inspection and approval by the Manager may be subject to rejection and removal at no additional cost to the Owner.
- F. The Manager's inspection of steel reinforcing prior to concrete placement will not relieve the Contractor from responsibility to conform to the Drawings and Specifications.

**END OF SECTION**

**SECTION 03310  
PRECAST STRUCTURAL CONCRETE**

**PART 1        GENERAL**

1.1    SUMMARY

- A.    Section includes precast structural concrete.

1.2    PERFORMANCE REQUIREMENTS

- A.    Delegated Design: Design precast structural concrete, including comprehensive engineering analysis by a qualified professional engineer licensed in the state of Utah, using performance requirements and design criteria indicated.
- B.    Structural Performance: Precast structural concrete units and connections shall withstand design loads indicated within limits and under conditions indicated.

1.3    SUBMITTALS

- A.    Product Data: For each type of product indicated.
- B.    Design Mixtures: For each precast concrete mixture.
- C.    Shop Drawings: Include member locations, plans, elevations, dimensions, shapes and sections, openings, support conditions, and types of reinforcement, including special reinforcement. Detail fabrication and installation of precast structural concrete units.
- D.    Delegated-Design Submittal: For precast structural concrete indicated to comply with performance requirements and design criteria, including analysis data signed and sealed by the qualified professional engineer responsible for their preparation.
- E.    Qualification Data: For fabricator.
- F.    Welding certificates.
- G.    Material certificates.
- H.    Material test reports.
- I.    Source quality-control reports.
- J.    Field quality-control reports.

1.4    QUALITY ASSURANCE

- A.    Fabricator Qualifications: A firm that assumes responsibility for engineering precast structural concrete units to comply with performance requirements. Responsibility includes preparation of Shop Drawings and comprehensive engineering analysis by a qualified professional engineer.
  - 1.    Participates in PCI's Plant Certification program and is designated a PCI-certified plant as follows:
    - a.    Group C.
- B.    Design Standards: Comply with ACI 318 and design recommendations in PCI MNL 120, "PCI Design Handbook - Precast and Prestressed Concrete," applicable to types of precast structural concrete units indicated.

- C. Quality-Control Standard: For manufacturing procedures and testing requirements, quality-control recommendations, and dimensional tolerances for types of units required, comply with PCI MNL 116, "Manual for Quality Control for Plants and Production of Structural Precast Concrete Products."
- D. Welding Qualifications: Qualify procedures and personnel according to the following:
  - 1. AWS D1.1, "Structural Welding Code - Steel."
  - 2. AWS D1.4, "Structural Welding Code - Reinforcing Steel."

#### 1.5 DELIVERY, STORAGE, AND HANDLING

- A. Support units during shipment on nonstaining shock-absorbing material in same position as during storage.
- B. Store units with adequate bracing and protect units to prevent contact with soil, to prevent staining, and to prevent cracking, distortion, warping or other physical damage.
- C. Lift and support units only at designated points shown on Shop Drawings.

#### 1.6 COORDINATION

- A. Furnish loose connection hardware and anchorage items to be embedded in or attached to other construction before starting that Work. Provide locations, setting diagrams, templates, instructions, and directions, as required, for installation.

### **PART 2 PRODUCTS**

#### 2.1 REINFORCING MATERIALS

- A. Recycled Content of Steel Products: Provide products with an average recycled content of steel products so postconsumer recycled content plus one-half of preconsumer recycled content is not less than 60 percent.
- B. Reinforcing Bars: ASTM A 615, Grade 60, deformed.
- C. Plain-Steel Welded Wire Reinforcement: ASTM A 185, fabricated from as-drawn steel wire into flat sheets.
- D. Supports: Suspend reinforcement from back of mold or use bolsters, chairs, spacers, and other devices for spacing, supporting, and fastening reinforcing bars and welded wire reinforcement in place according to PCI MNL 116.

#### 2.2 CONCRETE MATERIALS

- A. Portland Cement: ASTM C 150, Type I/II, gray, unless otherwise indicated.
- B. Supplementary Cementitious Materials:
- C. Retain mineral or cementitious admixtures in four subparagraphs below. Because fly ash, gray silica fume, and ground slag affect color uniformity, they are not recommended by PCI where appearance is important.
  - 1. Fly Ash: ASTM C 618, Class C or F, with maximum loss on ignition of 3 percent.
  - 2. Metakaolin Admixture: ASTM C 618, Class N.
  - 3. Silica Fume Admixture: ASTM C 1240, with optional chemical and physical requirement.

- 4. Ground Granulated Blast-Furnace Slag: ASTM C 989, Grade 100 or 120.
- D. Normal-Weight Aggregates: Except as modified by PCI MNL 116, ASTM C 33, with coarse aggregates complying with Class 5S. Stockpile fine and coarse aggregates for each type of exposed finish from a single source (pit or quarry) for Project.
- E. Air-Entraining Admixture: ASTM C 260, certified by manufacturer to be compatible with other required admixtures.
- F. Chemical Admixtures: Certified by manufacturer to be compatible with other admixtures and to not contain calcium chloride, or more than 0.15 percent chloride ions or other salts by weight of admixture.

### 2.3 STEEL CONNECTION MATERIALS

- A. Carbon-Steel Shapes and Plates: ASTM A 36.
- B. Carbon-Steel-Headed Studs: ASTM A 108, AISI 1018 through AISI 1020, cold finished, AWS D1.1, Type A or B, with arc shields and with minimum mechanical properties of PCI MNL 116.
- C. Carbon-Steel Plate: ASTM A 283.
- D. Carbon-Steel Structural Tubing: ASTM A 500, Grade B.
- E. Wrought Carbon-Steel Bars: ASTM A 675, Grade 65 (Grade 450).
- F. Deformed-Steel Wire or Bar Anchors: ASTM A 496 or ASTM A 706.
- A. Carbon-Steel Bolts and Studs: ASTM A 307, Grade A; carbon-steel, hex-head bolts and studs; carbon-steel nuts, ASTM A 563; and flat, unhardened steel washers, ASTM F 844.
- G. High-Strength Bolts and Nuts: ASTM A 325 or ASTM A 490, Type 1, heavy hex steel structural bolts; heavy hex carbon-steel nuts, ASTM A 563; and hardened carbon-steel washers, ASTM F 436.
  - 1. Do not zinc coat ASTM A 490 bolts.
- H. Zinc-Coated Finish: For exterior steel items, and items indicated for galvanizing, apply zinc coating by hot-dip process according to ASTM A 123 or ASTM A 153.
  - 1. Galvanizing Repair Paint: High-zinc-dust-content paint with dry film containing not less than 94 percent zinc dust by weight, and complying with DOD-P-21035B or SSPC-Paint 20.

### 2.4 BEARING PADS

- A. Provide bearing pads for precast structural concrete units as recommended by precast fabricator for application.

### 2.5 GROUT MATERIALS

- A. Nonmetallic, Nonshrink Grout: Premixed, nonmetallic, noncorrosive, nonstaining grout containing selected silica sands, portland cement, shrinkage-compensating agents, plasticizing and water-reducing agents, complying with ASTM C 1107, Grade A for drypack and Grades B and C for flowable grout and of consistency suitable for application within a 30-minute working time.

## 2.6 CONCRETE MIXTURES

- A. Prepare design mixtures for each type of precast concrete required.
  - 1. Use fly ash, pozzolan, ground granulated blast-furnace slag, and silica fume as needed to reduce the total amount of portland cement, which would otherwise be used, by not less than 40 percent.
  - 2. Limit use of fly ash to 25 percent replacement of portland cement by weight and granulated blast-furnace slag to 40 percent of portland cement by weight; metakaolin and silica fume to 10 percent of portland cement by weight.
- B. Design mixtures may be prepared by a qualified independent testing agency or by qualified precast plant personnel at precast structural concrete fabricator's option.
- C. Limit water-soluble chloride ions to maximum percentage by weight of cement permitted by ACI 318 or PCI MNL 116 when tested according to ASTM C 1218.
- D. Normal-Weight Concrete Mixtures: Proportion by either laboratory trial batch or field test data methods according to ACI 211.1, with materials to be used on Project, to provide normal-weight concrete with the following properties:
  - 1. Compressive Strength (28 Days): 5000 psi minimum.
  - 2. Maximum Water-Cementitious Materials Ratio: 0.45.
- E. Water Absorption: 6 percent by weight or 14 percent by volume, tested according to PCI MNL 116.
- F. Add air-entraining admixture at manufacturer's prescribed rate to result in concrete at point of placement having an air content complying with PCI MNL 116.
- G. When included in design mixtures, add other admixtures to concrete mixtures according to manufacturer's written instructions.
- H. Concrete Mix Adjustments: Concrete mix design adjustments may be proposed if characteristics of materials, Project conditions, weather, test results, or other circumstances warrant.

## 2.7 FABRICATION

- A. Cast-in Anchors, Inserts, Plates, Angles, and Other Anchorage Hardware: Fabricate anchorage hardware with sufficient anchorage and embedment to comply with design requirements. Accurately position for attachment of loose hardware, and secure in place during precasting operations. Locate anchorage hardware where it does not affect position of main reinforcement or concrete placement.
  - 1. Weld-headed studs and deformed bar anchors used for anchorage according to AWS D1.1/D1.1M and AWS C5.4, "Recommended Practices for Stud Welding."
- B. Furnish loose hardware items including steel plates, clip angles, seat angles, anchors, dowels, cramps, hangers, and other hardware shapes for securing precast structural concrete units to supporting and adjacent construction.
- C. Cast-in reglets, slots, holes, and other accessories in precast structural concrete units as indicated on the Contract Drawings.
- D. Cast-in openings larger than 10 inches in any dimension. Do not drill or cut openings or prestressing strand without Managers' approval.



- E. Reinforcement: Comply with recommendations in PCI MNL 116 for fabricating, placing, and supporting reinforcement.
- F. Reinforce precast structural concrete units to resist handling, transportation, and erection stresses.
- G. Comply with requirements in PCI MNL 116 and in this Section for measuring, mixing, transporting, and placing concrete. After concrete batching, no additional water may be added.
- H. Place concrete in a continuous operation to prevent seams or planes of weakness from forming in precast concrete units.
- I. Thoroughly consolidate placed concrete by internal and external vibration without dislocating or damaging reinforcement and built-in items, and minimize pour lines, honeycombing, or entrapped air on surfaces. Use equipment and procedures complying with PCI MNL 116.
- J. Comply with PCI MNL 116 procedures for cold-weather concrete placement.
- K. Comply with PCI MNL 116 procedures for hot-weather concrete placement.
- L. Identify pickup points of precast structural concrete units and orientation in structure with permanent markings, complying with markings indicated on Shop Drawings. Imprint or permanently mark casting date on each precast structural concrete unit on a surface that will not show in finished structure.
- M. Cure concrete, according to requirements in PCI MNL 116, by moisture retention without heat or by accelerated heat curing using low-pressure live steam or radiant heat and moisture. Cure units until compressive strength is high enough to ensure that stripping does not have an effect on performance or appearance of final product.
- N. Discard and replace precast structural concrete units that do not comply with requirements, including structural, manufacturing tolerance, and appearance, unless repairs meet requirements in PCI MNL 116 and meet Engineer's approval.

## 2.8 FABRICATION TOLERANCES

- A. Fabricate precast structural concrete units straight and true to size and shape with exposed edges and corners precise and true so each finished unit complies with PCI MNL 116 product dimension tolerances.

## 2.9 COMMERCIAL FINISHES

- A. Standard Grade: Normal plant-run finish produced in molds that impart a smooth finish to concrete. Surface holes smaller than 1/2 inch caused by air bubbles, normal color variations, form joint marks, and minor chips and spalls are permitted. Fill air holes greater than 1/4 inch in width that occur more than once per 2 sq. in. Major or unsightly imperfections, honeycombs, or structural defects are not permitted. Limit joint offsets to 1/8 inch.
- B. Screed or float finish unformed surfaces. Strike off and consolidate concrete with vibrating screeds to a uniform finish. Hand screed at projections. Normal color variations, minor indentations, minor chips, and spalls are permitted. Major imperfections, honeycombing, or defects are not permitted.

## 2.10 SOURCE QUALITY CONTROL

- A. Testing: Test and inspect precast structural concrete according to PCI MNL 116 requirements.

- B. Defective Units: Discard and replace precast structural concrete units that do not comply with requirements, including strength, manufacturing tolerances, and color and texture range. Chipped, spalled, or cracked units may be repaired, subject to Engineer's approval. Engineer reserves the right to reject precast units that do not match approved samples, sample panels, and mockups.

### **PART 3 EXECUTION**

#### **3.1 INSTALLATION**

- A. Install clips, hangers, bearing pads, and other accessories required for connecting precast structural concrete units to supporting members and backup materials.
- B. Erect precast structural concrete level, plumb, and square within specified allowable tolerances. Provide temporary structural framing, supports, and bracing as required to maintain position, stability, and alignment of units until permanent connection.
  - 1. Maintain horizontal and vertical joint alignment and uniform joint width as erection progresses.
  - 2. Remove projecting lifting devices and grout fill voids within recessed lifting devices flush with surface of adjacent precast surfaces when recess is exposed.
- C. Connect precast structural concrete units in position by bolting, welding, grouting, or as otherwise indicated on Shop Drawings. Remove temporary shims, wedges, and spacers as soon as practical after connecting and grouting are completed.
- D. Field cutting of precast units is not permitted without approval of the Engineer.
- E. Welding: Comply with applicable AWS D1.1/D1.1M and AWS D1.4 for welding, welding electrodes, appearance, quality of welds, and methods used in correcting welding work.
- F. At bolted connections, use lock washers, tack welding, or other approved means to prevent loosening of nuts after final adjustment.
- G. Grouting: Grout connections and joints and open spaces at keyways, connections, and joints where required or indicated on Shop Drawings. Retain grout in place until hard enough to support itself. Pack spaces with stiff grout material, tamping until voids are completely filled.

#### **3.2 ERECTION TOLERANCES**

- A. Erect precast structural concrete units level, plumb, square, true, and in alignment without exceeding the noncumulative erection tolerances of PCI MNL 135.

#### **3.3 FIELD QUALITY CONTROL**

- A. Special Inspections: Owner will engage a qualified special inspector to perform the following special inspections:
  - 1. Erection of precast structural concrete members.
- B. Testing Agency: Owner will engage a qualified testing agency to perform tests and inspections.
- C. Field welds will be visually inspected and nondestructive tested according to ASTM E 165 or ASTM E 709. High-strength bolted connections will be subject to inspections.
- D. Testing agency will report test results promptly and in writing to Contractor and Engineer.

- E. Repair or remove and replace work where tests and inspections indicate that it does not comply with specified requirements.
- F. Additional testing and inspecting, at Contractor's expense, will be performed to determine compliance of replaced or additional work with specified requirements.
- G. Prepare test and inspection reports.

#### 3.4 REPAIRS

- A. Repair precast structural concrete units if permitted by Engineer.
  - 1. Repairs may be permitted if structural adequacy, serviceability, durability, and appearance of units has not been impaired.
- B. Mix patching materials and repair units so cured patches blend with color, texture, and uniformity of adjacent exposed surfaces and show no apparent line of demarcation between original and repaired work, when viewed in typical daylight illumination from a distance of 20 feet.
- C. Prepare and repair damaged galvanized coatings with galvanizing repair paint according to ASTM A 780.
- D. Wire brush, clean, and paint damaged prime-painted components with same type of shop primer.
- E. Remove and replace damaged precast structural concrete units that cannot be repaired or when repairs do not comply with requirements as determined by Engineer.

#### 3.5 CLEANING

- A. Clean mortar, plaster, fireproofing, weld slag, and other deleterious material from concrete surfaces and adjacent materials immediately.
- B. Clean exposed surfaces of precast concrete units after erection and completion of joint treatment to remove weld marks, other markings, dirt, and stains.
  - 1. Perform cleaning procedures, if necessary, according to precast concrete fabricator's written recommendations. Clean soiled precast concrete surfaces with detergent and water, using stiff fiber brushes and sponges, and rinse with clean water. Protect other work from staining or damage due to cleaning operations.
  - 2. Do not use cleaning materials or processes that could change the appearance of exposed concrete finishes or damage adjacent materials.

**END OF SECTION**

**SECTION 05110  
MISCELLANEOUS METALS**

**PART 1      GENERAL**

**1.1      SECTION INCLUDES**

- A.      This Specification Section covers the furnishing and installing of miscellaneous metal items. Items shown on the Drawings but not specifically noted in this Specification shall be of quality and workmanship conforming to similar items described in this Section. Required items of work include but are not necessarily limited to:
1.      Structural frames and members not part of structural steel.
  2.      Steel grating: flooring, covers, treads.
  3.      Miscellaneous plate and angle assemblies: closures, expansion joints, corner guards.
  4.      Access Hatches
  5.      Castings and other metal parts associated with pits and drainage: manhole frames and covers, cast gratings, and ladder rungs.
  6.      Miscellaneous parts for assembling and attaching items specified herein: fasteners, sleeves, anchors, inserts, hardware and accessories.
  7.      Miscellaneous parts for attaching work of other trades which are not covered in other Specifications: fasteners, sleeves, anchors, inserts and anchor bolts.

**1.2      SUBMITTALS**

- A.      Shop fabrication and erection drawings showing complete information necessary for fabrication and erection. Clearly distinguish between shop and field bolts and welds. Show all holes for attaching or accommodating other work as shown. State on lists of materials the computed weights of steel and the size, type and number of fasteners required for each field connection on lists of materials the computed weights of steel and the size, type and number of fasteners required for each field connection.
1.      Drawings submitted for review must bear evidence that they have been checked. Incomplete or unchecked Drawings will not be reviewed. Changes, other than Manager required changes made to previously submitted Drawings must be encircled and identified as revisions and resubmitted as shown above for review.
  2.      Review of Drawings will be for adherence to overall basic design. Correctness of dimensions, proper design of details, quantities, and field fit shall be the responsibility of the Contractor.
- B.      Product Data Sheets for Manufacturer's standard products providing adequate information to determine suitability of product.
- C.      Shop Fabrication Quality Control.
- D.      Certificates of compliance for all miscellaneous metals stating that the item(s) furnished meet the requirements of this Specification and the standards referenced.
- E.      Qualified Welding Procedures and performance qualification records.
- F.      Installation Quality Plan.
- G.      Field Q.C. Test reports showing the results of all required field quality tests performed and all tests performed to prove compliance with this Specification.

- H. As-built drawings showing as-built layout, anchorage, connections, relationship to other parts of work.
- I. Shop and field painting procedures.

### 1.3 DELIVERY AND HANDLING

- A. Contractor shall:
  - 1. Deliver or cause to be delivered miscellaneous metal items in the order required for erection continuity according to a mutually established schedule of delivery dates. Furnish parts which require embedment, together with applicable instructions, in ample time for setting in the work.
  - 2. Provide receiving inspection per Article 3.8.A.
  - 3. Repair damage to this and other work resulting from handling miscellaneous metal items or from failure to maintain adequate precautions. Handle so that metal items and coatings will not be damaged, and surfaces will be free of mud, dirt and other foreign substances.
  - 4. Keep stored materials clear of ground by means on timbers and blocking, and properly drained.

### 1.4 QUALITY ASSURANCE

- A. Fabricator shall be a company specializing in the fabrication of miscellaneous metal with a minimum of ten years documented experience.
- B. Fabricator and Contractor shall provide and maintain a quality control program.
- C. Contractor shall test all materials as required by Specifications and standards referenced.
- D. Contractor shall have at least ten years of documented experience in the installation of miscellaneous metals of the type and complexity required by this Specification.
- E. Codes and Regulations:
  - 1. Except as otherwise specified herein or shown on the Drawings, all work shall conform to the requirements of AISC "Code of Standard Practice for Steel Buildings and Bridges" and AISC "Steel Construction Manual".
  - 2. Contractor shall comply with all national, state and local laws, codes, ordinances and regulations, including the IBC and ASCE 7
  - 3. All welding and welding procedures shall be in accordance with AWS D1.1.

## PART 2 PRODUCTS

### 2.1 MATERIALS

- A. Furnish all new materials.
- B. Structural Steel Shapes and Plates: ASTM A36.
- C. Checkered Plate: ASTM A283, Grade B low carbon steel floor plate; shop painted in accordance with this Specification.
- D. Steel Bar Grating: Standard welded rectangular type, conforming to ANSI/NAAMM Metal Bar Grating Manual guidelines. Grating at all interior areas to be plain 1 ½ inch deep x 3/16 inch wide bearing bars with all cross bars spaced 4 inches o.c. Grating at all exterior areas to be 1 ½ inch deep x 3/16 serrated bearing bars with all cross bars spaced 4 inches o.c. All grating shall be coated after fabrication with Dipping Gloss Black

as supplied by Valley Paint Mfg., Woods Cross, Utah or Manager approved equal. Supply completed with all associated studs, nuts, and saddle clips.

- E. Iron Castings: ASTM A48, not less than Class 30 with 30,000 psi tensile strength. Castings shall be tough and free from cracks, flaws, blow holes and other defects. Coat surfaces with high grade asphalt protective material.
- F. Ductile Iron Steps: Neenah No. R-1982-J ductile iron steps.
- G. Manhole Covers and Frames: Material shall be ductile iron, Grade 65-45-12 with tensile strength of 65,000 psi, conforming to ASTM A536. Castings shall have one shop coat of asphalt paint.
- H. Welding Electrodes: AWS A5.1 or A5.2, E70XX series.
- I. Hardware for hinged covers and other operating parts: heavy duty industrial type appropriate for the application; galvanized.
- J. Galvanizing: Unless otherwise noted, the following shall be galvanized: embedded items, hardware and fasteners. Bolts, including nuts and washers, shall be zinc coated conforming to ASTM A153, Class C. Other items shall conform to ASTM A123, A153, or A525 as applicable, 1.25 oz/sq.ft. class.
- K. Cold Galvanizing Compound: Ready-mixed zinc-rich coating containing 95% metallic zinc by weight: Galvicon of Galivon Corp; ZRC of The Sealube Co; Galvonox Type 1 of Subox Coatings Div, BASF Wyandotte Corp; or Manager approved equal. Use only for field touch-up of damaged areas of galvanized surfaces.
- L. Pipe Bollards: Fabricate pipe bollards from Schedule 40 steel pipe; shop painted in accordance with this Specification.

## 2.2 FABRICATION

- A. General: Fabricate miscellaneous metal work in accord with Drawings and Specifications as detailed on approved shop drawings. Conform to applicable requirements of the AISC "Specification for Structural Steel Building," and "Code of Standard Practice for Steel Buildings and Bridges."
- B. Special Requirements:
  - 1. Fabricate frames from rolled sections as required by Drawings, with mitered corners continuously welded and ground smooth. Make each member of one piece; short sections butt-welded together are not permitted. Select frame sections for trueness of web and flange, and straighten as required so that finished frames are uniform, square and true. Provide suitable anchors for attachment to other materials.
  - 2. Steel Bar Grating Items: Fabricate into convenient size panels, according to requirements specified herein under Materials. Make openings where shown on Drawings, band openings and exposed ends with steel bars, and reinforce as required for adequate support. Provide patterned steel nosing on bar grating treads.
  - 3. Ductile Iron Steps: Furnish and install ductile iron steps as specified where shown on the Drawings.
  - 4. Manhole Covers and Frames: Furnish and install the manhole covers and frames as specified where shown on the Drawings.
- C. Design: Components not completely detailed and members not sized on Drawings shall be proportioned to provide ample strength and stiffness under expected loads. Joints

exposed to weather shall be formed to exclude water or to drain. Design in accordance with IBC and AISC requirements.

- D. Assembly and Connections: Insofar as practicable, assemble work in the shop, ready for field installation. Connect by welding or bolting in manner to develop strength of members involved. Wherever possible, bolts shall be concealed.
1. Bolting: Bolts shall be of proper length to permit full thread in the nut. Use a lock washer under the nut for connecting items subject to moving foot traffic or vibration.
  2. Welding shall be performed preferably in flat position, by shielded or submerged electric arc methods only, using proper electrodes for conditions of use, in accord with AWS D1.1, "Structural Welding Code." Make welds smooth and regular, solid and homogenous throughout, and free from pits, slag, scale and other defects. Where exposed to weather, welds shall be continuous, unless otherwise noted.
- E. Workmanship:
1. Make all work square, plumb, straight and true, accurately fitted, with tight joints and intersections, and neat in appearance. Members shall have sharply defined profiles and be free from twists, bends and defects impairing strength and durability. Items not presenting a finished and workmanlike appearance will be rejected.
  2. Cut members accurately; standard gas cutting machine may be used in the shop if ends and edges can be finished so that appearance is acceptable. Use extra care in making miters. Provide all required holes for this and other work, by drilling or punching, and wherever necessary, countersinking.
  3. Provide all required supporting members, bracing, brackets and reinforcement, as well as straps, lugs, clips, anchors and other connections to facilitate installation and anchorage.
  4. Clip off projecting edges and corners. Finish and dress surfaces, edges and welds smoothly and neatly by grinding, chipping and wire brushing. Reduce sharp edges by grinding.

## 2.3 FINISHES

- A. Comply with NAAMM Metal Finishes Manual: for recommendations relative to application and designations of finishes.
- B. Finish metal fabrications after assembly.
- C. Galvanizing: For those items indicated for galvanizing, apply zinc-coating by the hot-dip process compliance with the following requirements:
1. ASTM A153 for galvanizing iron and steel hardware.
  2. ASTM A123 for galvanizing both fabricated and unfabricated iron and steel products made of uncoated rolled, pressed, and forged shapes, plates, bars, and strip 0.0299 inch thick and heavier.
- D. Shop Finish Painting:
1. Prepare carbon steel surfaces to comply with minimum requirements of SSPC SP-10 for surface preparation.
  2. Apply three coat finish paint system to all uncoated surfaces of metal fabrications (except those with galvanized finish, those to receive Dipping Gloss Black, or those to be embedded in concrete) unless otherwise indicated. Apply finish paint system in accordance with paint Manufacturer's written instructions.

## 2.4 SOURCE QUALITY CONTROL

- A. Contractor shall perform the following inspection and tests:
  - 1. Structural steel shall be identified by heat or melt numbers.
  - 2. Visual inspection shall be performed at place of fabrication and in the field. Additionally, Contractor shall provide information and access required for inspections by Manager. Promptly remove material rejected by the Manager, either at shop or construction site, and replace it with acceptable material. Rejection of material may be made at any time, even at construction site after it has been erected, if it fails to conform to specified requirements.
  - 3. Visual weld inspection shall be performed in accordance with the inspection matrix and conforming to AWS D1.1, Drawings and Specifications. Welds found not in accordance with AWS standards shall be removed and replaced.

## PART 3 EXECUTION

### 3.1 PREPARATION

- A. Contractor shall coordinate and furnish anchorages, setting drawings, diagrams, templates, instructions, and directions for installation of anchorages, including concrete inserts, sleeves, anchor bolts, and miscellaneous items having integral anchors that are to be embedded in concrete or masonry construction. Contractor shall coordinate delivery of such items to project site.
- B. Set sleeves in concrete with tops flush with finish surface elevations; protect sleeves from water and concrete entry.

### 3.2 INSTALLATION

- A. Fastening to In-Place Construction: Contractor shall provide anchorage devices and fasteners where necessary for securing miscellaneous metal fabrications to in-place construction; include threaded fasteners for concrete and masonry inserts, toggle bolts, through-bolts, lag bolts, wood screws, and other connectors as shown on Drawings or as required to adequately support and secure the metal fabrication in place.
- B. Cutting, Fitting, and Placement: Contractor shall perform cutting, drilling, and fitting required for installation of miscellaneous metal fabrications. Set metal fabrication accurately in location, alignment, and elevation; with edges and surfaces level, plumb, true, and free of rack; and measured from established lines and levels.
- C. Contractor shall provide temporary bracing or anchors in formwork for items that are to be built into concrete or similar construction.
- D. Contractor shall fit exposed connections accurately together. Weld connections that cannot be shop welded because of shipping size limitations. However, do not weld connections which are to be left as exposed joints. Do not weld, cut, or abrade the surfaces of exterior units which have been hot-dip galvanized after fabrication, and are intended for bolted or screwed field connections.
- E. Field Welding: Contractor shall comply with AWS Code for procedures of manual shielded metal-arc welding, appearance and quality of welds made, methods used in correcting welding work, and the following:
  - 1. Use materials and methods that minimize distortion and develop strength and corrosion resistance of base metals.
  - 2. Obtain fusion without undercut or overlap.



3. Remove welding flux immediately.
  4. At exposed connections, finish exposed welds and surfaces smooth and blended so that no roughness shown after finishing and contour of welded surface matches those adjacent.
- F. Contractor shall coordinate miscellaneous metal installation with other work in a manner which will facilitate and expedite project completion. Erect work to proper lines and levels, plumb and true, and in correct relation to other work.
  - G. Contractor shall secure work in a rigid and substantial manner with appropriate fasteners, concealed wherever practicable. Do not enlarge holes without the Manager's prior approval.
  - H. Contractor shall obtain the Manager's prior approval before any gas cutting is done in the field. Do not cut any structural steel members.
  - I. Contractor shall provide guys, bracing and falsework for temporary support where necessary. Remove them after permanent work is self-supporting.

### 3.3 SETTING LOOSE PLATES

- A. Contractor shall clean concrete and masonry bearing surfaces of any bond-reducing materials, and roughen to improve bond to surfaces. Clean bottom surface of bearing plates of any grease, oil, paint or other material that will reduce bonding.
- B. Contractor shall set loose leveling and bearing plates on wedges, or other adjustable devices. After the bearing members have been positioned and plumbed, tighten the anchor bolts. Do not remove wedges or shims, but if protruding, cut off flush with the edge of the bearing plate before grouting.
  1. Use read-to-use nonmetallic nonshrink grout. Refer to Section 03110 for grout material and application requirements.
  2. Pack grout solidly between bearing surfaces and plates to ensure that no voids remain.

### 3.4 INSTALLATION OF METAL BAR GRATINGS

- A. Contractor shall install gratings to comply with recommendations of NAAMM grating standard referenced that apply to grating types and bar sizes indicated, including installation clearances and standard anchoring details.
- B. Contractor shall secure removable units to supporting members with type and size of clips and fasteners indicated, or if not indicated as recommended by grating manufacturer for type of installation conditions shown.
- C. Contractor shall secure nonremovable units to supporting members by welding where both materials are the same; otherwise, fasten by bolting as indicated above. All grating shall be bolted to the supporting members with a minimum of six Nelson studs and saddle anchors per each 45 sq.ft. of grating panel area to prevent shifting of the grating, except where grating is indicated to be welded. A minimum of four 1" x ¼" fillet welds per panel shall be used to anchor grating panels that are indicated on the Drawings to be welded to their supports.
- D. Contractor shall attach toe plates to gratings by welding.

3.5 CLEANING AND TOUCHUP

- A. Touch-Up Painting: Contractor shall immediately after erection, clean field welds, bolted connections, and abraded areas of shop paint, and paint exposed areas with same material as used for shop painting .
- B. For galvanized surfaces clean welds, bolted connections and abraded areas and apply galvanizing repair paint.

3.6 FIELD QUALITY CONTROL

- A. Contractor shall perform the following tests and inspections. If any deficiencies are revealed during any tests and inspections, such deficiencies shall be corrected by Contractor at no expense to Owner and the tests shall be reconducted.
- B. Provide receiving inspection to verify that all miscellaneous metal items are of the types and quantity required for the Work, are not damaged or exhibit other unsatisfactory characteristics.
- C. Contractor shall perform inspections as required to ensure that miscellaneous metals, fabrication, and installation are in accordance with the requirements of this Specification. Specifically, Contractor shall check miscellaneous metal pieces prior to installation to ensure materials are as specified, fabrication is in accordance with Manager-approved shop drawings, pieces have proper tag numbers, and coatings are in acceptable condition. After erection, Contractor shall inspect miscellaneous metals to ensure that they have been installed in accordance with the shop drawings, all required accessories are in place, assembly has been properly completed, and coatings are in acceptable condition.
- D. Inspect all completed work for squareness, plumbness, accuracy of fit, and appearance and report results to Manager.
- E. Contractor shall maintain an orderly and current file by structure of approval submittals and inspection reports verifying compliance with this Section.

3.7 FIELD DATA SHEET

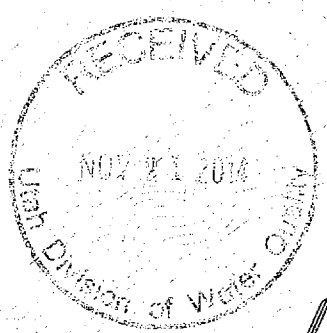
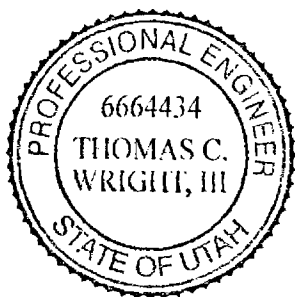
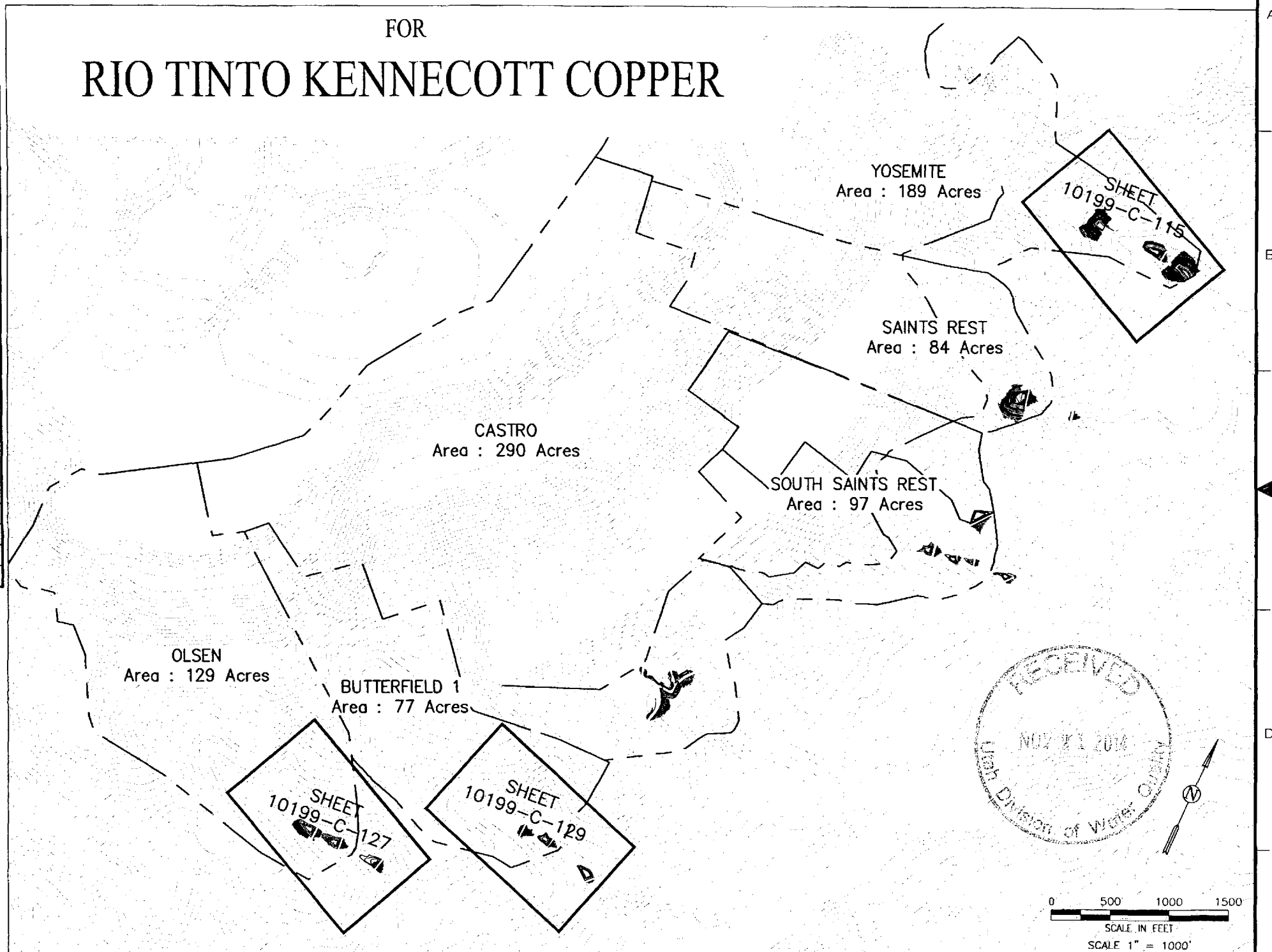
- A. Require with bid Manufacturers documented evidence of number of years experience manufacturing product (refer to Article 1.4).
- B. Require with bid Contractors documented evidence of number of years experience installing product (refer to Article 1.4).

**END OF SECTION**

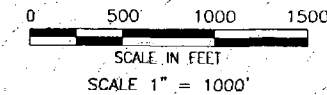
# SOUTH END DRAINAGE COLLECTION SYSTEM

## FOR RIO TINTO KENNECOTT COPPER

INDEX OF DRAWINGS		
SHEET #	#	DESCRIPTION
10199-C-100	1	TITLE SHEET AND KEY MAP
10199-C-101	2	PROJECT OVERVIEW
10199-C-102	3	GENERAL NOTES AND LEGEND
10199-C-127	4	OLSEN BASINS 1.1, 1.2 AND 11 PLAN AND PROFILE
10199-C-129	5	BUTTERFIELD 1 BASINS 2.1, 2.2 AND 21 PLAN AND PROFILE
10199-C-115	6	YOSEMITE BASINS 6.1, 6.2, 6.3 AND 6.4 PLAN AND PROFILE
10199-C-119	7	RECLAIMED SLOPE DOWNDRAIN DETAILS
10199-C-120	8	BENCH CHANNEL TRANSITION TO DOWNDRAIN
10199-C-121	9	TRANSITION TO PERIMETER CHANNEL
10199-C-122	10	BASIN OUTLET STRUCTURE PLAN AND SECTION
10199-C-123	11	BASIN OUTLET STRUCTURE GRATE AND DETAILS
10199-C-124	12	BASIN DETAILS
10199-C-135	13	OLSEN FLOW DIAGRAM
10199-C-136	14	BUTTERFIELD 1 FLOW DIAGRAM
10199-C-134	15	YOSEMITE FLOW DIAGRAM
10199-C-140	16	OLSEN CUTOFF WALL AXIAL PLAN AND PROFILE
10199-C-141	17	BUTTERFIELD 1 CUTOFF WALL AXIAL PLAN AND PROFILE
10199-C-142	18	UPPER YOSEMITE CUTOFF WALL AXIAL PLAN AND PROFILE
10199-C-143	19	LOWER YOSEMITE CUTOFF WALL AXIAL PLAN AND PROFILE
10199-C-144	20	CUTOFF WALL COLLECTION BOX DETAILS
10199-C-145	21	CUTOFF WALL LID AND HATCH DETAILS
10199-C-146	22	CUTOFF WALL, PIPE SPOOL, AND CLEANOUT DETAILS



*Thomas C. Wright III*  
 THOMAS C. WRIGHT III, PE  
 11 NOV 14  
 DATE



AREA	NO.	DATE	REVISION	BY	CHK	APP	REFERENCE DRAWINGS	NUMBER

RELEASE FOR  
 CONSTRUCTION

NOTES

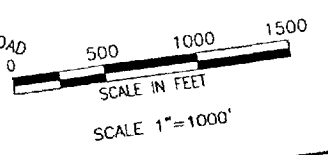
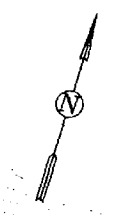
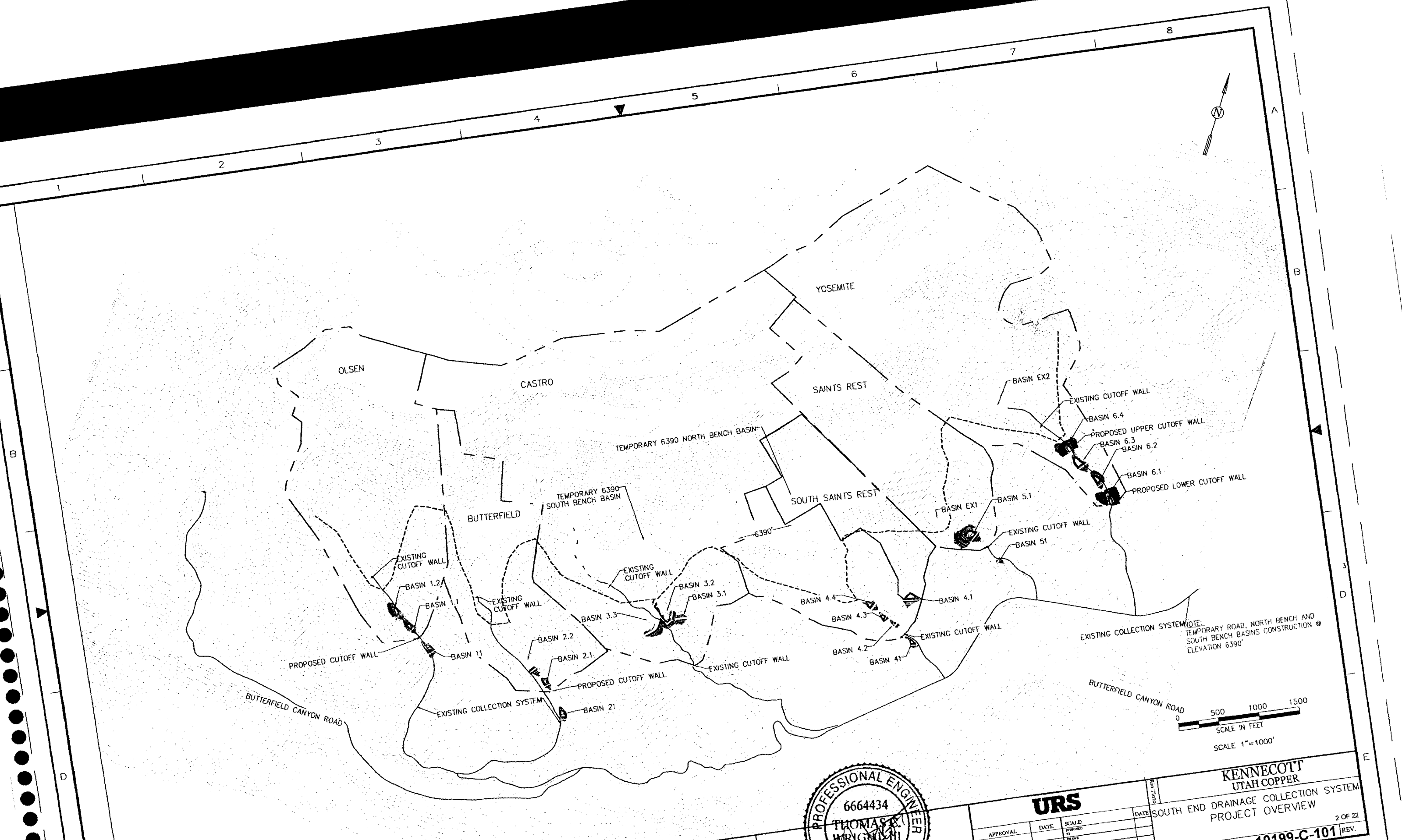
URS			
APPROVAL	DATE	SCALE	DATE

**KENNECOTT UTAH COPPER**

SOUTH END DRAINAGE COLLECTION SYSTEM  
 TITLE SHEET AND KEY MAP

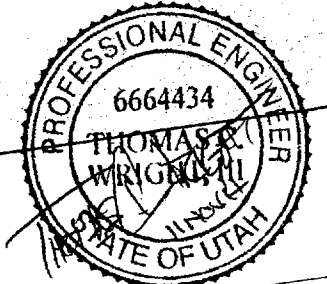
1 OF 22

Job No. \_\_\_\_\_ Dwg. No. **10199-C-100** REV. \_\_\_\_\_



AREA	NO	DATE	REVISION	BY	CHK	APP	REFERENCE DRAWINGS	NUMBER

**RELEASE FOR CONSTRUCTION**



**URS**

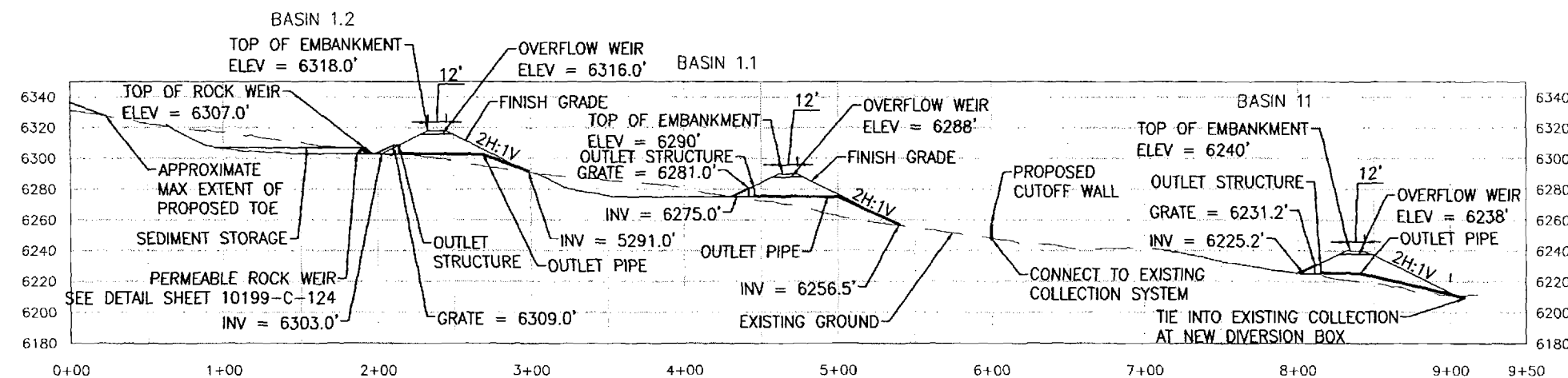
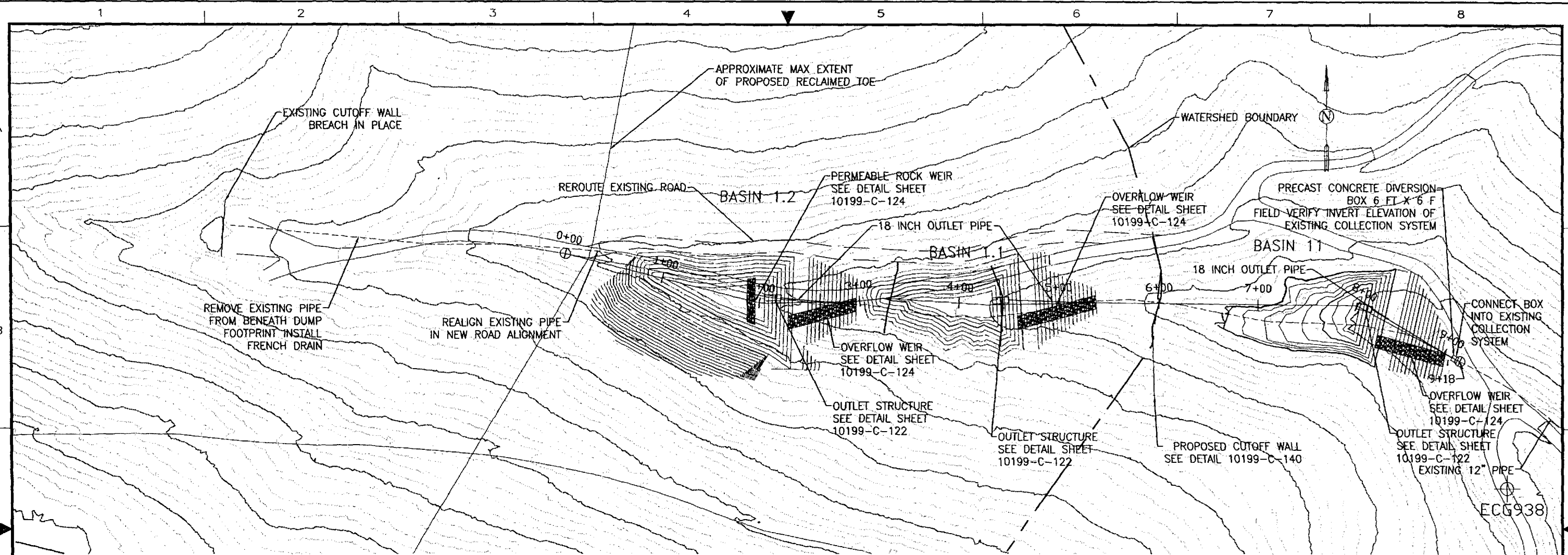
APPROVAL	DATE	SCALE	DATE

**KENECOTT UTAH COPPER**

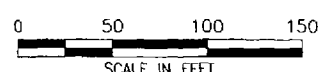
**SOUTH END DRAINAGE COLLECTION SYSTEM PROJECT OVERVIEW**

Job No. \_\_\_\_\_ Dwg. No. **10199-C-101** REV. 2 OF 22





OLSEN BASIN 1.2, 1.1 AND 11 GRADING PLAN AND PROFILE



SCALE 1" = 100'

AREA	NO.	DATE	REVISION	BY	CHK	APP	REFERENCE DRAWINGS	NUMBER
1								
2								
3								

**RELEASE FOR CONSTRUCTION**

APPROVAL	DATE	SCALE	DATE

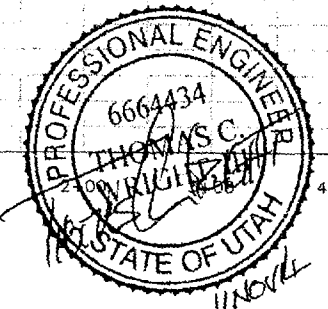
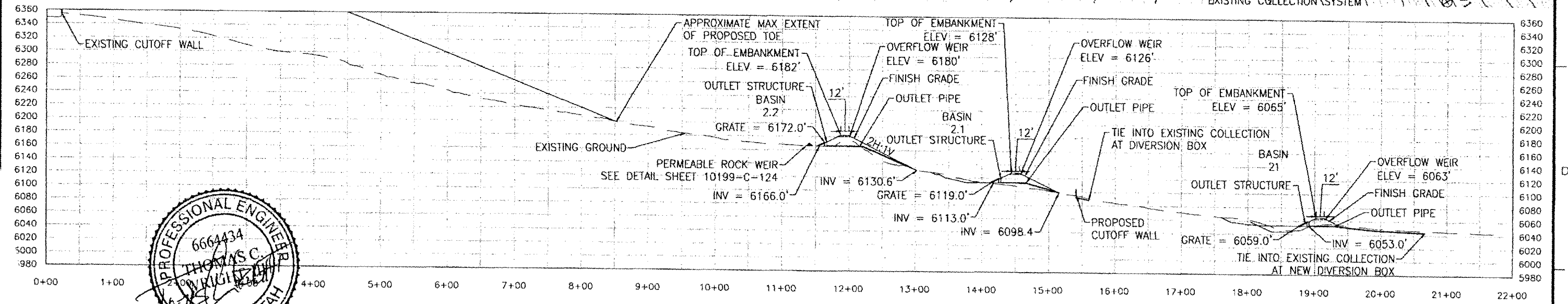
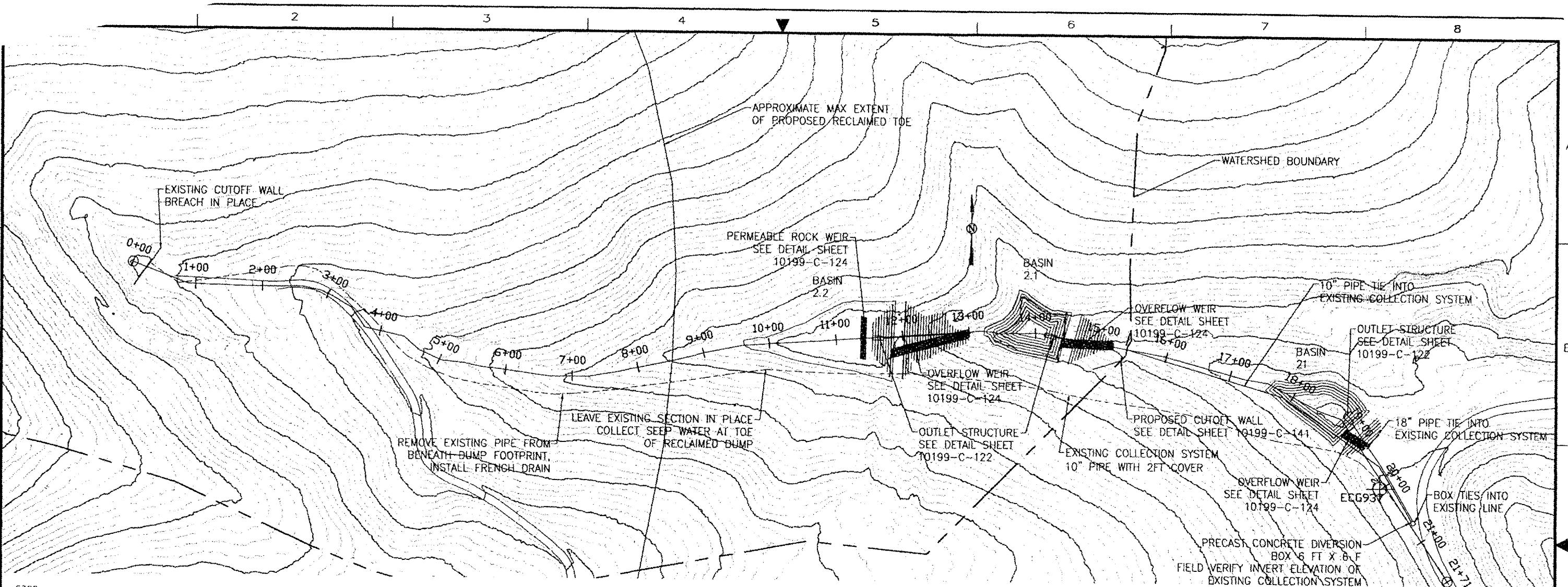
**URS**

**KENNECOTT UTAH COPPER**

SOUTH END DRAINAGE COLLECTION SYSTEM  
OLSEN GRADING PLAN AND PROFILE

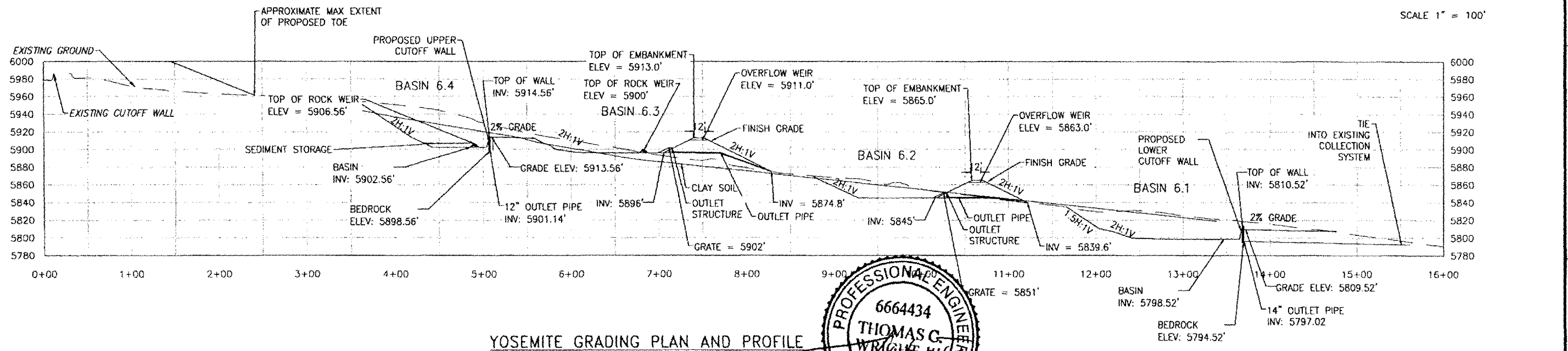
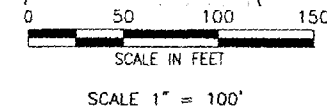
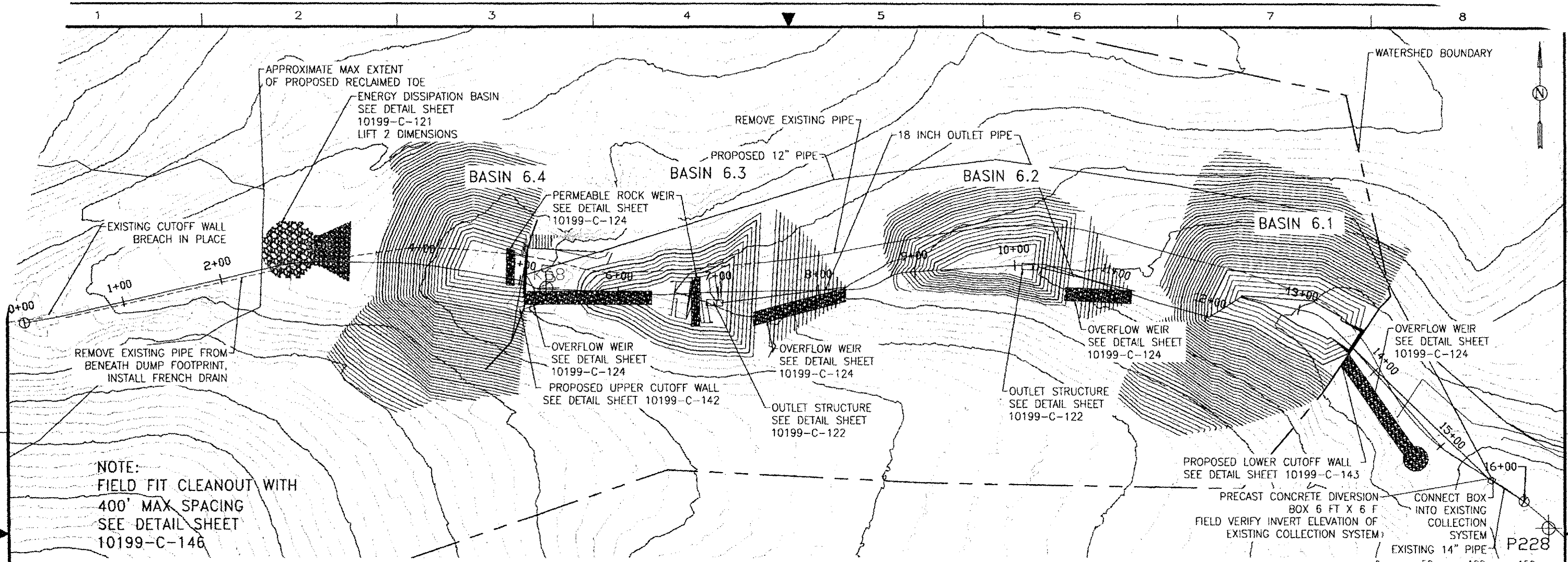
4 OF 22

Job No. \_\_\_\_\_ Dwg. No. **10199-C-127** REV.

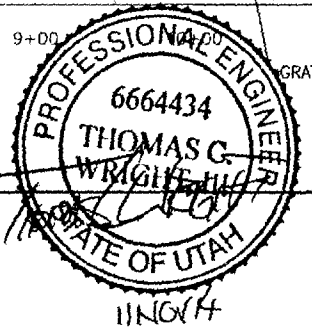


BUTTERFIELD 1 BASINS 2.2, 2.1 AND 21 GRADING PLAN AND PROFILE

				<b>RELEASE FOR CONSTRUCTION</b>				<b>URS</b>		<b>KENNECOTT UTAH COPPER</b>									
				NOTES		NOTES		<table border="1"> <tr> <th>APPROVAL</th> <th>DATE</th> <th>SCALE</th> <th>DATE</th> </tr> <tr> <td> </td> <td> </td> <td> </td> <td> </td> </tr> </table>		APPROVAL	DATE	SCALE	DATE					SOUTH END DRAINAGE COLLECTION SYSTEM BUTTERFIELD 1 GRADING PLAN AND PROFILE	
APPROVAL	DATE	SCALE	DATE																
DATE				REVISION		BY		CHK		APP									
1				2		3		4		5									
								Job No.		Dwg. No. <b>10199</b>									



YOSEMITE GRADING PLAN AND PROFILE



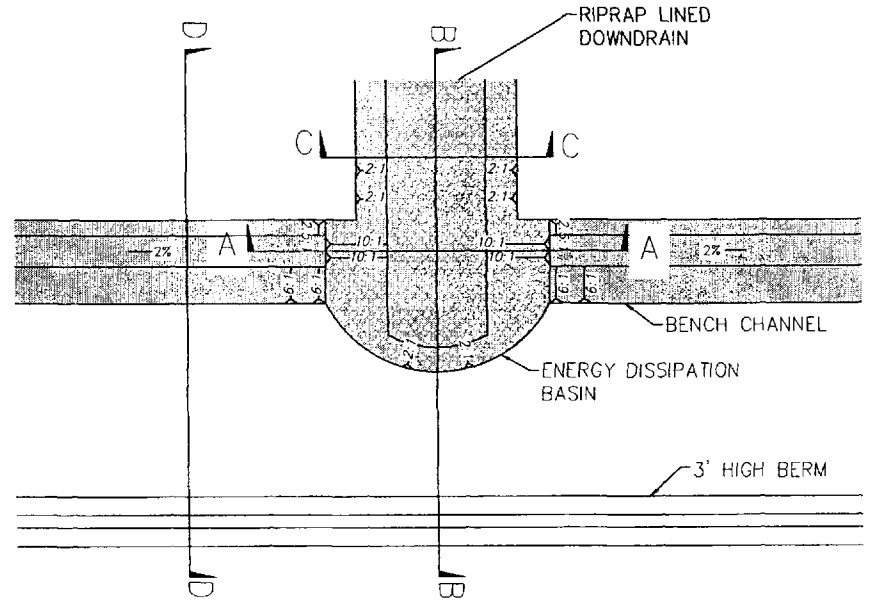
RELEASE FOR CONSTRUCTION

APPROVAL		DATE	SCALE	DATE	KENNECOTT UTAH COPPER
DESIGNED BY	BY	PROJECT ENGINEER	PROJECT MANAGER		
SOUTH END DRAINAGE COLLECTION SYSTEM YOSEMITE GRADING PLAN AND PROFILE					6 OF 22
Job No.					Dwg. No. 10199-C-115 REV.

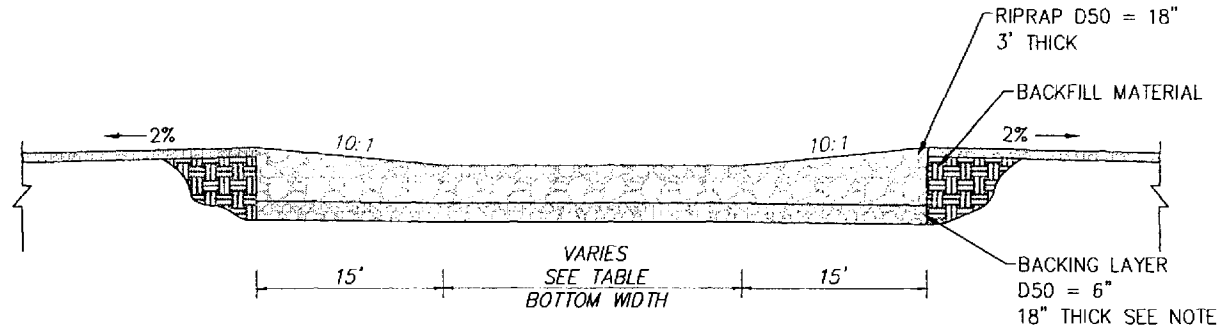
BY	CHK	APP	REFERENCE DRAWINGS	NUMBER	NOTES	NOTES



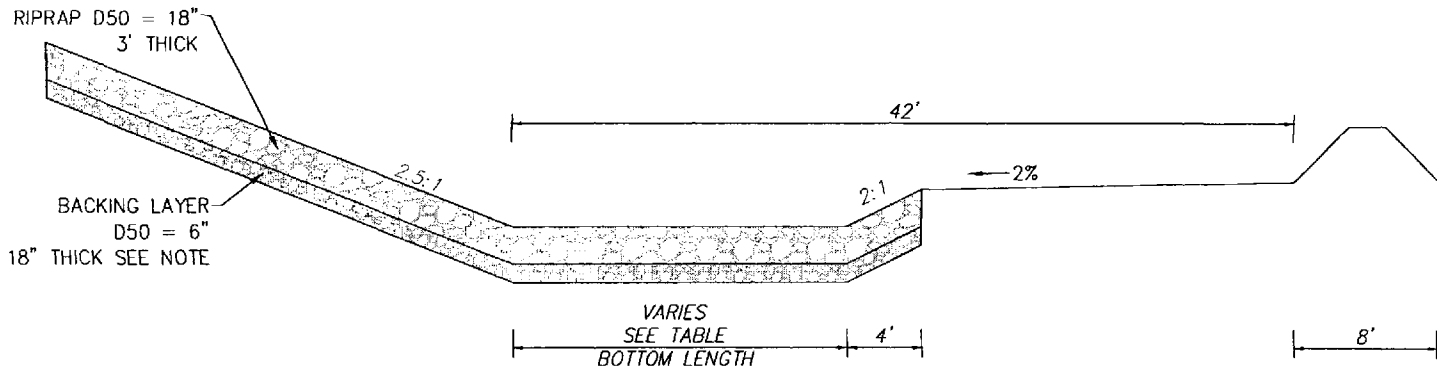
12/16/2013 6:52 PM



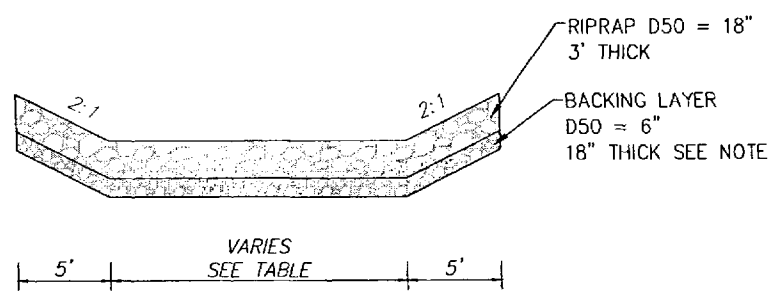
PLAN VIEW  
NTS



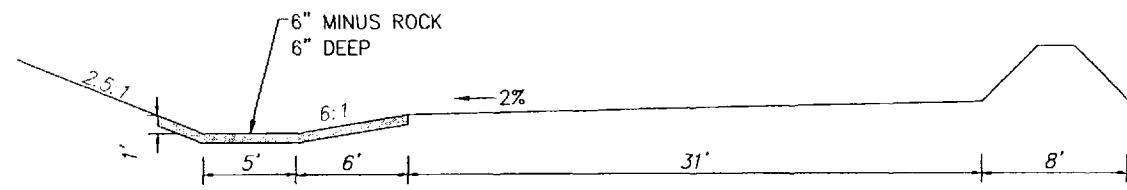
ENERGY DISSIPATION BASIN  
SECTION A-A  
NTS



ENERGY DISSIPATION BASIN  
SECTION B-B  
NTS



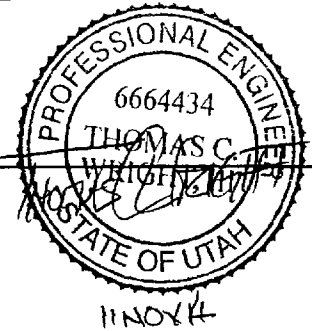
DOWN DRAIN  
SECTION C-C  
NTS



BENCH CHANNEL  
SECTION D-D  
NTS

NOTES:  
BACKING LAYER SHALL CONSIST OF 6" D50 WITH NO LESS THAN 30 PERCENT PASSING 3-INCH SIEVE AND NO MORE THAN 10 PERCENT PASSING NO. 4 SIEVE.

LIFT	TYPE	ENERGY DISSIPATION BASIN		
		BOTTOM WIDTH	BOTTOM WIDTH	BOTTOM LENGTH
1	A	16'	16'	18'
2	A	16'	16'	18'
3	B	15'	15'	17'



RELEASE FOR  
CONSTRUCTION

URS

KENNECOTT  
UTAH COPPER

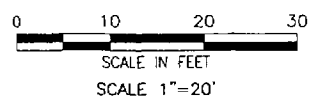
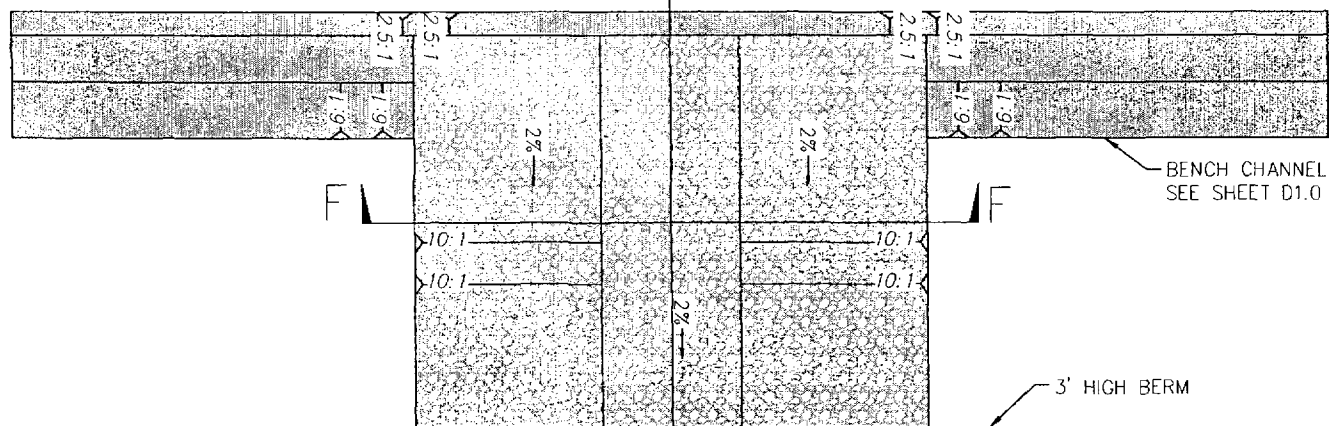
APPROVAL	DATE	SCALE	DATE

SOUTH END DRAINAGE COLLECTION SYSTEM  
RECLAIMED SLOPE  
DOWN DRAIN DETAILS 7 OF 22

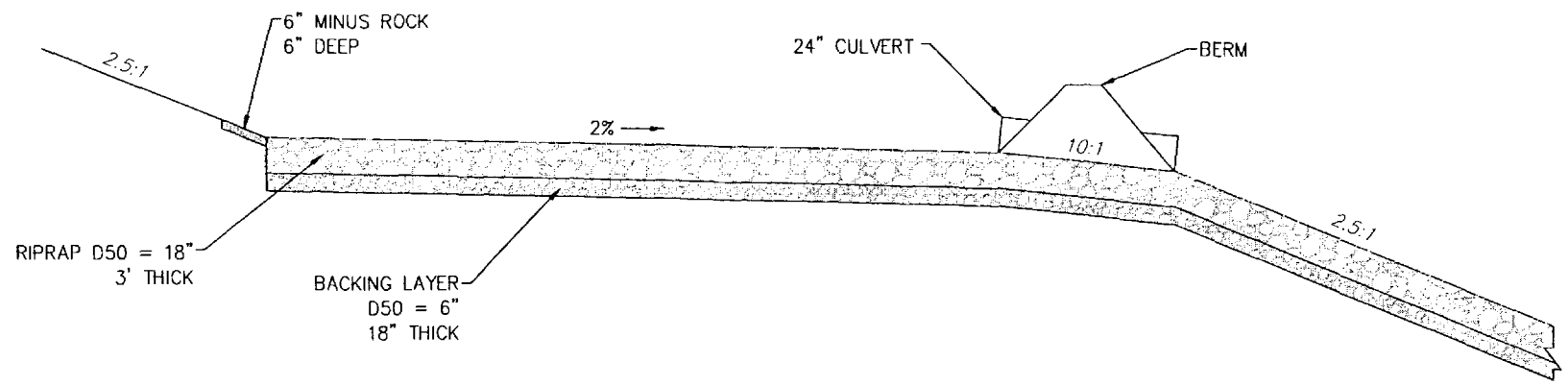
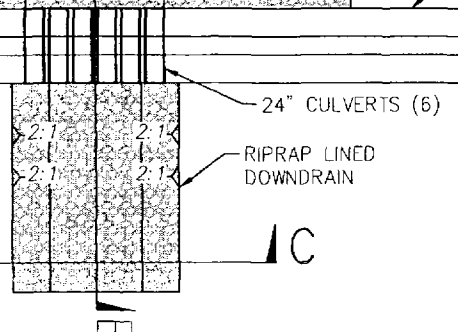
AREA	NO.	DATE	REVISION	BY	CHK	APP	REFERENCE DRAWINGS	NUMBER	NOTES

Job No.      Dwg. No. **10199-C-119**      REV.

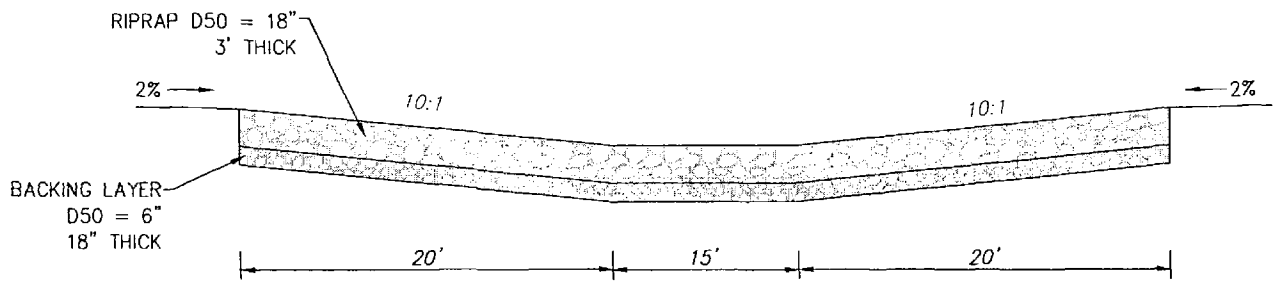
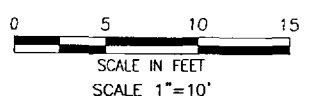
12/16/2013 6:52 PM  
a:\projects\kenecott\1014 south and waste rock closure\05\_analysis and engineering\phase 2\civil\sheet\10199-c-120 121 misc bench chn details, transition to rock chute.dwg



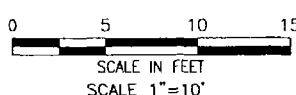
SEE SECTION C-C ON SHEET 10199-C-119



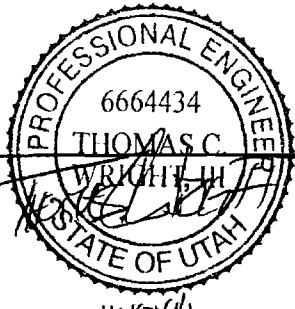
BENCH CHANNEL OUTLET TO DOWNDRAIN SECTION E-E



BENCH CHANNEL OUTLET TO DOWNDRAIN SECTION F-F



NOTES:  
 BACKING LAYER SHALL CONSIST OF 6" D50 WITH NO LESS THAN 30 PERCENT PASSING 3-INCH SIEVE AND NO MORE THAN 10 PERCENT PASSING NO. 4 SIEVE.



RELEASE FOR CONSTRUCTION

URS

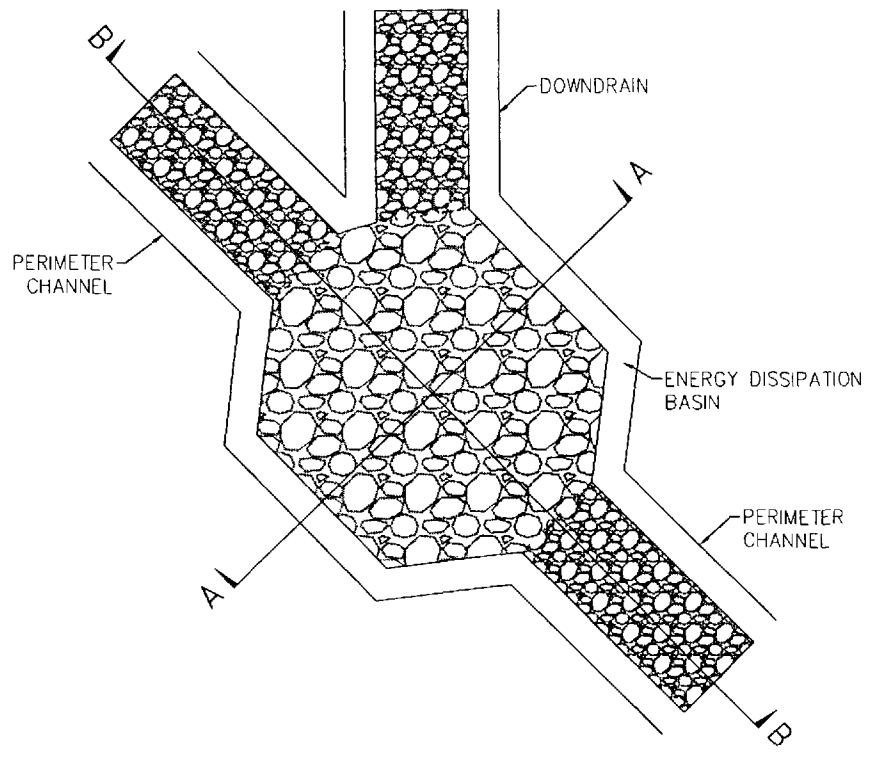
KENNECOTT UTAH COPPER

SOUTH END DRAINAGE COLLECTION SYSTEM BENCH CHANNEL TRANSITION TO DOWNDRAIN

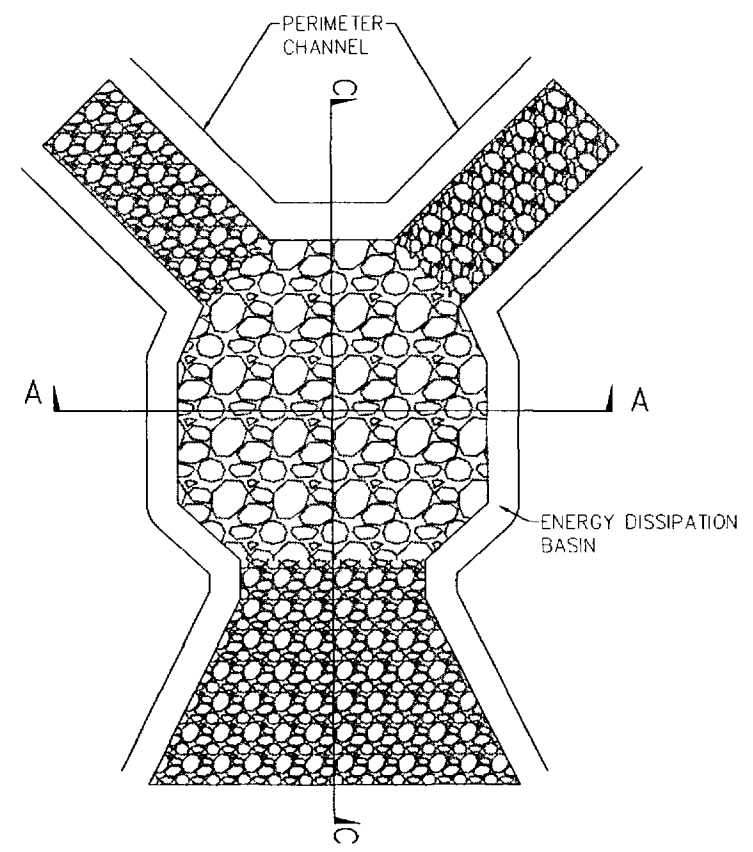
Job No. Dwg. No. 10199-C-120 REV. 8 OF 22

AREA	NO.	DATE	REVISION	BY	CHK	APP	REFERENCE DRAWINGS	NUMBER	NOTES

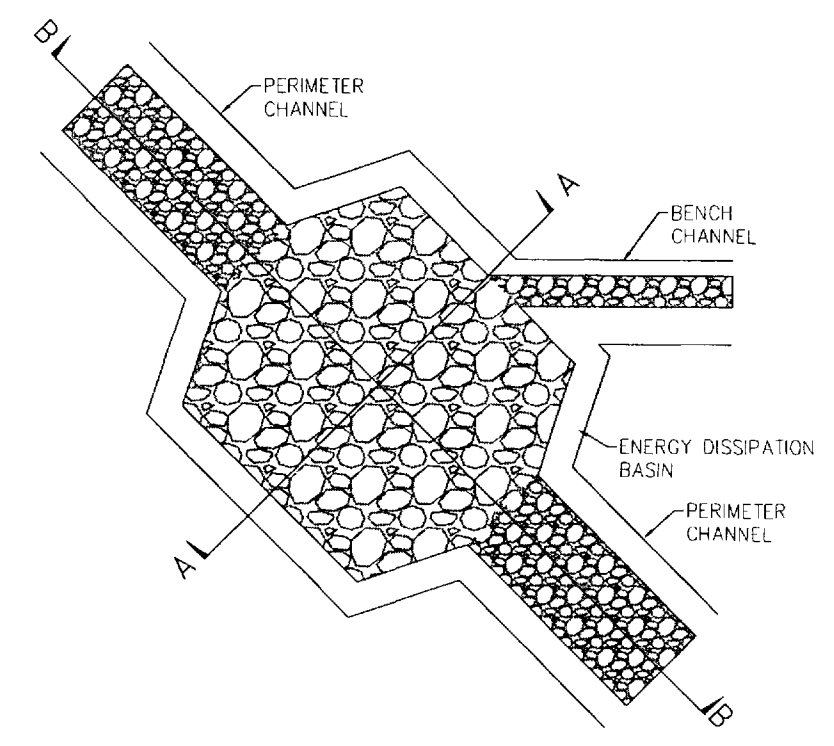
12/16/2013 6:52 PM  
 2:\projects\kenecott\2014 main and water rock closure\05\_analysis and engineering\phase 2\add\sheet10199-c-121 more bench drain details, transition to rock drain.dwg



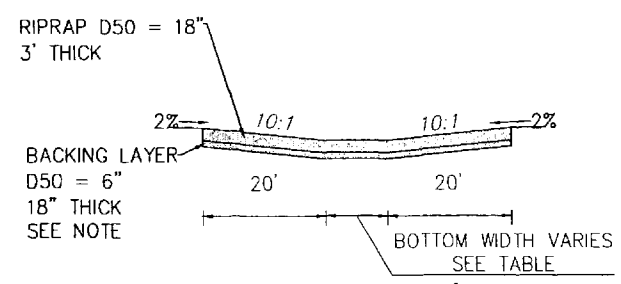
**PLAN VIEW  
 DOWNDRAIN TO PERIMETER  
 CHANNEL**



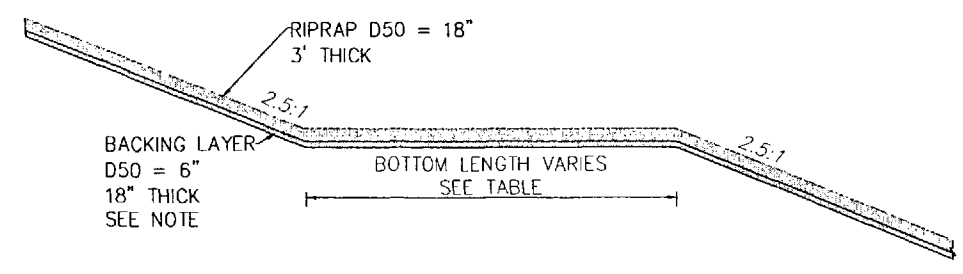
**PLAN VIEW  
 PERIMETER CHANNEL TO  
 ENERGY DISSIPATION BASIN**



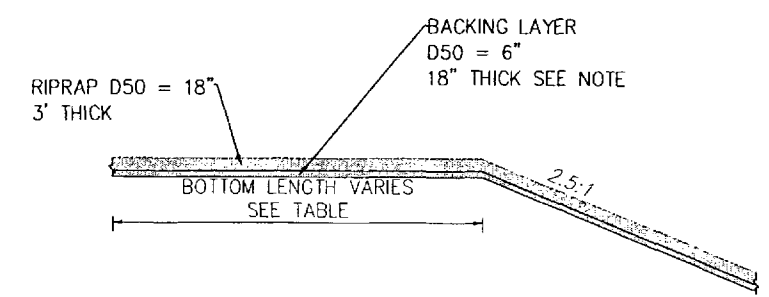
**PLAN VIEW  
 BENCH CHANNEL TO  
 PERIMETER CHANNEL**



**SECTION A-A'**



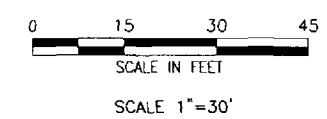
**SECTION B-B'**



**SECTION C-C'**

**NOTES:**  
 BACKING LAYER SHALL CONSIST OF 6" D50 WITH NO LESS THAN 30 PERCENT PASSING 3-INCH SIEVE AND NO MORE THAN 10 PERCENT PASSING NO. 4 SIEVE.

LIFT	BASIN	
	BOTTOM WIDTH	BOTTOM LENGTH
1	16'	22'
2	16'	21'
3	16'	19'



AREA	NO.	DATE	REVISION	BY	CHK	APP	REFERENCE DRAWINGS	NUMBER

**RELEASE FOR  
 CONSTRUCTION**

**URS**

APPROVAL	DATE	SCALE	DATE
		DESIGNED BY	
		DRAWN BY	
		CHECKED BY	
		PROJECT ENGINEER	
		PROJECT MANAGER	

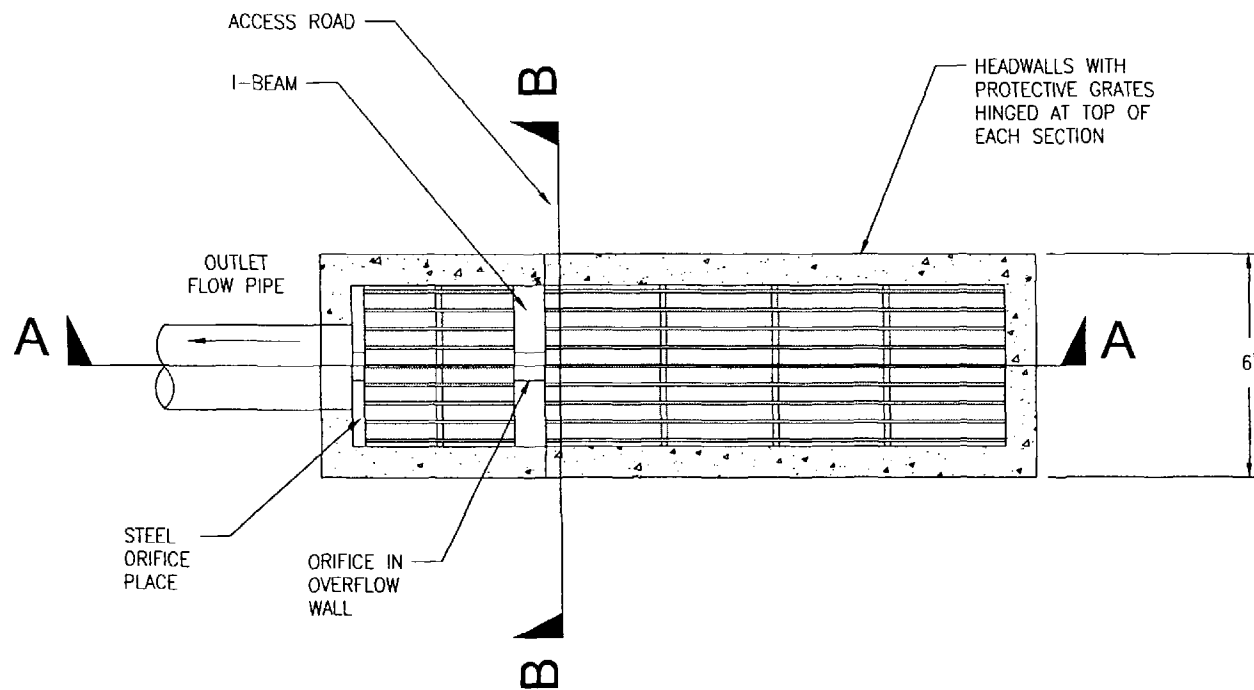
**KENNECOTT  
 UTAH COPPER**

SOUTH END DRAINAGE COLLECTION SYSTEM  
 TRANSITION TO  
 PERIMETER CHANNEL

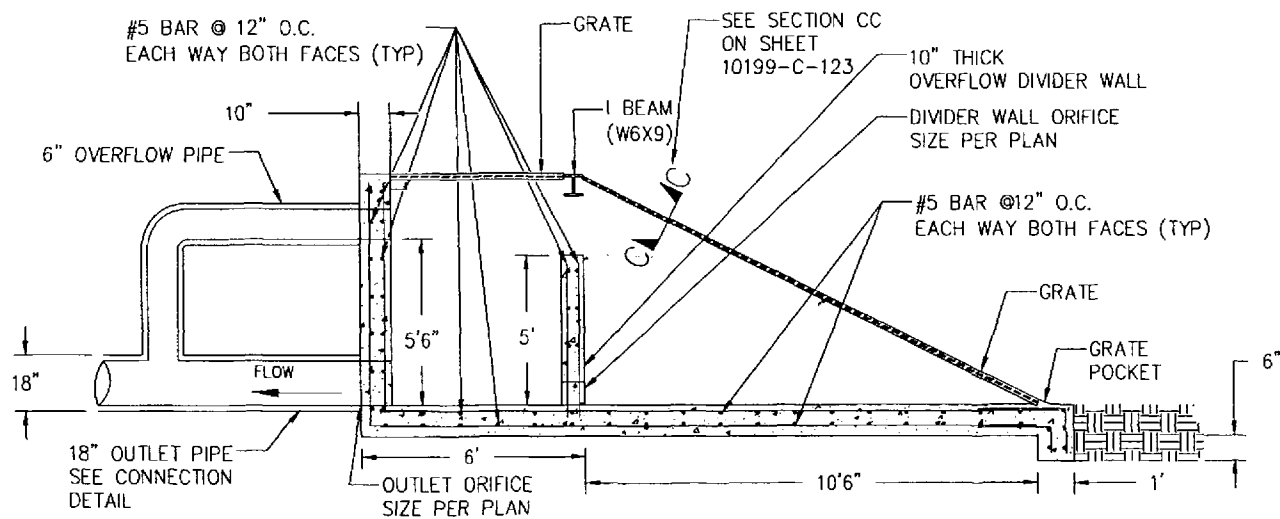
Job No.      Dwg. No. **10199-C-121** REV.

9 OF 22

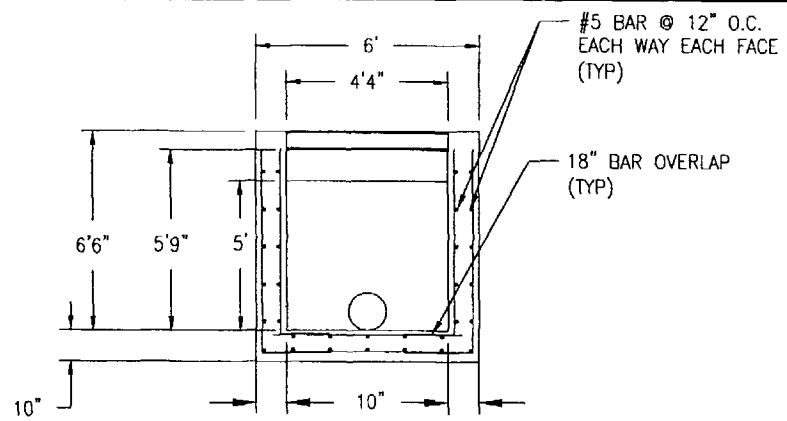
DETENTION BASIN OUTLET STRUCTURE  
(ORIFICE BOX)



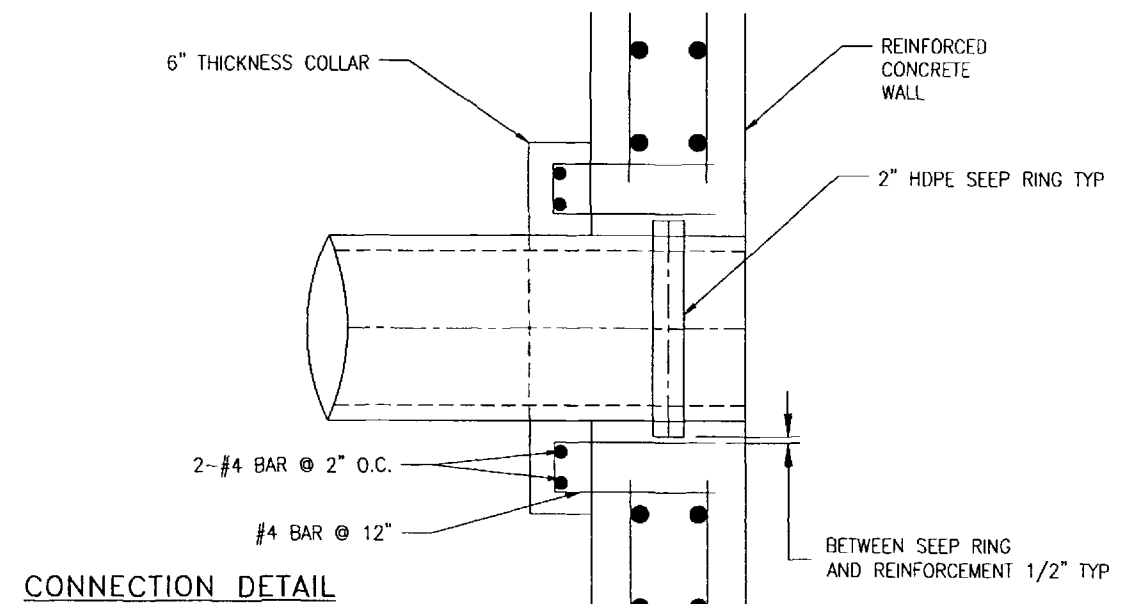
PLAN VIEW



TYPICAL BASIN OUTLET SECTION A-A'



TYPICAL BASIN OUTLET SECTION B-B'



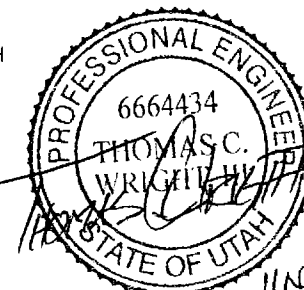
CONNECTION DETAIL

NOTES:

1. USE STRUCTURAL STAINLESS STEEL FOR ALL STRUCTURAL STEEL CONFORMANT TO AASHTO DESIGNATION M270 GRADE 36 (ASTM A 709, GRADE 36).
2. HOT-DIP GALVANIZE ALL STRUCTURAL STEEL AFTER FABRICATION IN ACCORDANCE WITH AASHTO DESIGNATION M11 (ASTM A 123).
3. STRUCTURAL STEEL:  $F_y = 36,000$  psi
4. COVER ALL REINFORCING STEEL BY AT LEAST 3" AGAINST EARTH.

MODIFIED OUTLET FOR USE AT SOUTH & NORTH BENCH BASIN EXCEPTION:

DIMENSIONS:  
OVERFLOW DIVIDER WALL=6.5'  
TOTAL OUTLET STRUCTURE HEIGHT=8'-10"  
OUTLET ORIFICE=6"  
DIVIDER WALL ORIFICE=6"



RELEASE FOR  
CONSTRUCTION

URS

KENNECOTT  
UTAH COPPER

APPROVAL	DATE	SCALE	DATE

SOUTH END DRAINAGE COLLECTION SYSTEM  
BASIN OUTLET STRUCTURE  
PLAN AND SECTION 10 OF 22

Job No.      Dwg. No. **10199-C-122** REV.

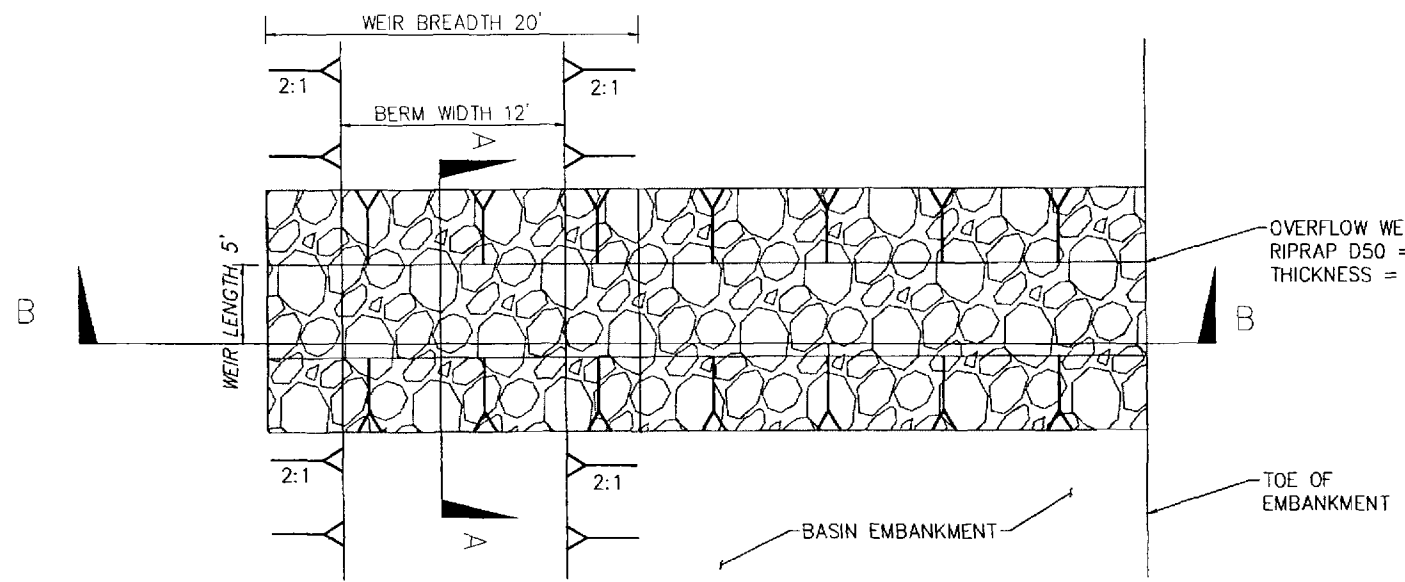
AREA	NO.	DATE	REVISION	BY	CHK	APP	REFERENCE DRAWINGS	NUMBER	NOTES

1      2      3      4      5      6      7      8

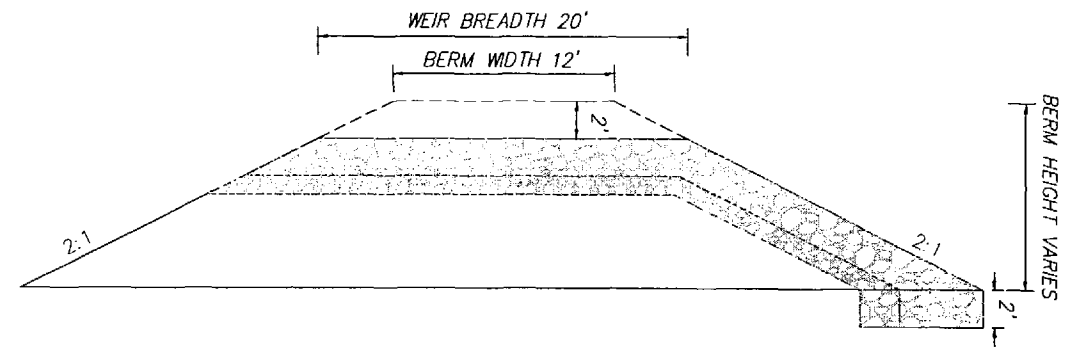
11/17/2014 3:08 PM  
 q:\projects\kenecott\2014 south end waste rock closure\05 analysis and engineering\chase 2\csp\cheta\10199-c-122 pond details outlet structure.dwg



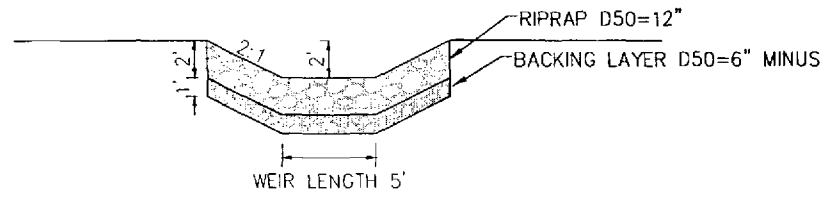
11/6/2014 3:02 PM  
 n:\projects\kenecott\2014 south end waste rock closure\_05\_analysis and engineering\phase 2\civil\sheet1\10199-c-124 basin details.dwg



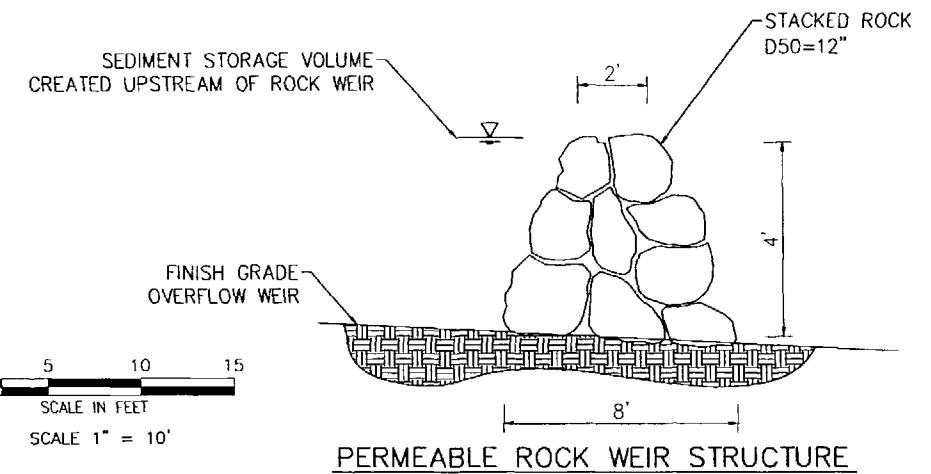
DETENTION BASIN OVERFLOW WEIR STRUCTURE  
 PLAN VIEW



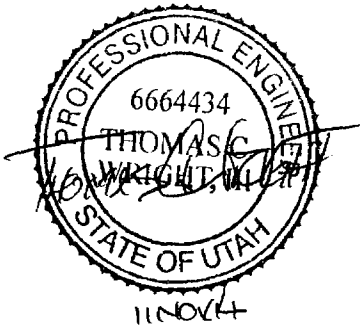
DETENTION BASIN WEIR STRUCTURE  
 SECTION BB



DETENTION BASIN WEIR STRUCTURE  
 SECTION AA



PERMEABLE ROCK WEIR STRUCTURE



NOTES  
 1. EMBANKMENT CONSTRUCTION SUBJECT TO BE APPROVED BY RTKC REPRESENTATIVE.

AREA	NO.	DATE	REVISION	BY	CHK	APP	REFERENCE DRAWINGS	NUMBER

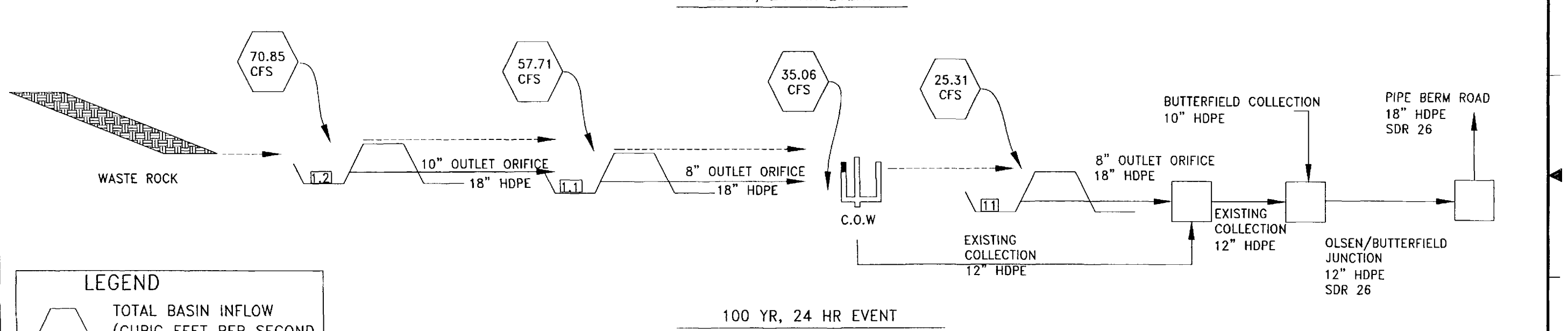
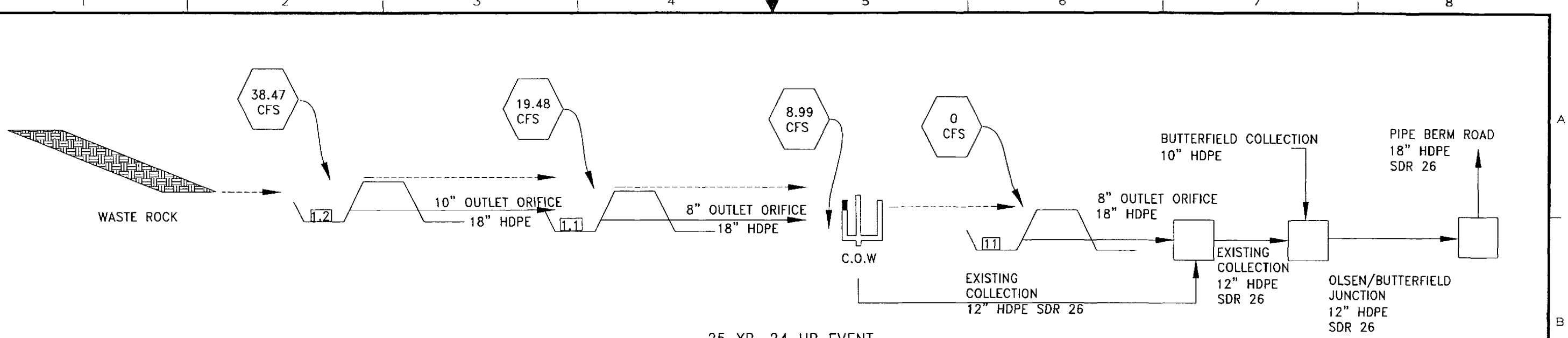
RELEASE FOR  
 CONSTRUCTION

URS			
APPROVAL	DATE	SCALE	DATE
		DESIGNED BY	
		DRAWN BY	
		CHECKED BY	
		PROJECT ENGINEER	
		PROJECT MANAGER	

KENNECOTT UTAH COPPER	
SOUTH END DRAINAGE COLLECTION SYSTEM BASIN DETAILS	
Job No.	Dwg. No. 10199-C-124 REV.

12 OF 22

12/16/2013 6:52 PM  
 q:\projects\kenecott\2014 basin and waste rock closure\05\_0199-c-127\_135\_drain.dwg  
 12/16/2014 basin and waste rock closure\05\_0199-c-127\_135\_drain.dwg



**LEGEND**

- TOTAL BASIN INFLOW (CUBIC FEET PER SECOND CFS)
- DIVERSION BOX
- OUTLET PIPE (NEW UNLESS OTHERWISE INDICATED)
- OVERFLOW
- BASIN ID
- CUT-OFF WALL (C.O.W.)

Total Watershed (acres)	Basin ID	Olsen				NOAA 25 yr 24 hr Storm				NOAA 100 yr 24 hr Storm					
		Depth (ft)	Volume (ac.-ft)	Outlet Orifice Diameter (in)	Outlet Length (feet)	Storm Depth (in)	Runoff (cfs)	Peak Inflow (cfs)	Peak Outflow (cfs)	25-yr Overflow (cfs)	Storm Depth (in)	Runoff (cfs)	Peak Inflow (cfs)	Peak Outflow (cfs)	100-yr Overflow (cfs)
129	1.2	17	1.5	10	87	3.45	70.85	38.47	12.26	7.22	3.45	70.85	70.85	13.07	44.64
	1.1	15	1.3	8	75			19.48	8.99	-			57.71	9.84	25.22
	Cutoff Wall	-	-	12	-			8.99	8.98	-			35.06	9.69	25.31
	11	12	1.1	8	95			-	-	-			25.31	11.7	-

AREA		NO.	DATE	REVISION	BY	CHK	APP	REFERENCE DRAWINGS	NUMBER	NOTES
A		10/30/14		TABLE 25YR AND 100YR RUNOFF WAS UPDATED	NC	TW	TW			

RELEASE FOR CONSTRUCTION

THOMAS C. WRIGHT  
 STATE OF UTAH  
 6664434

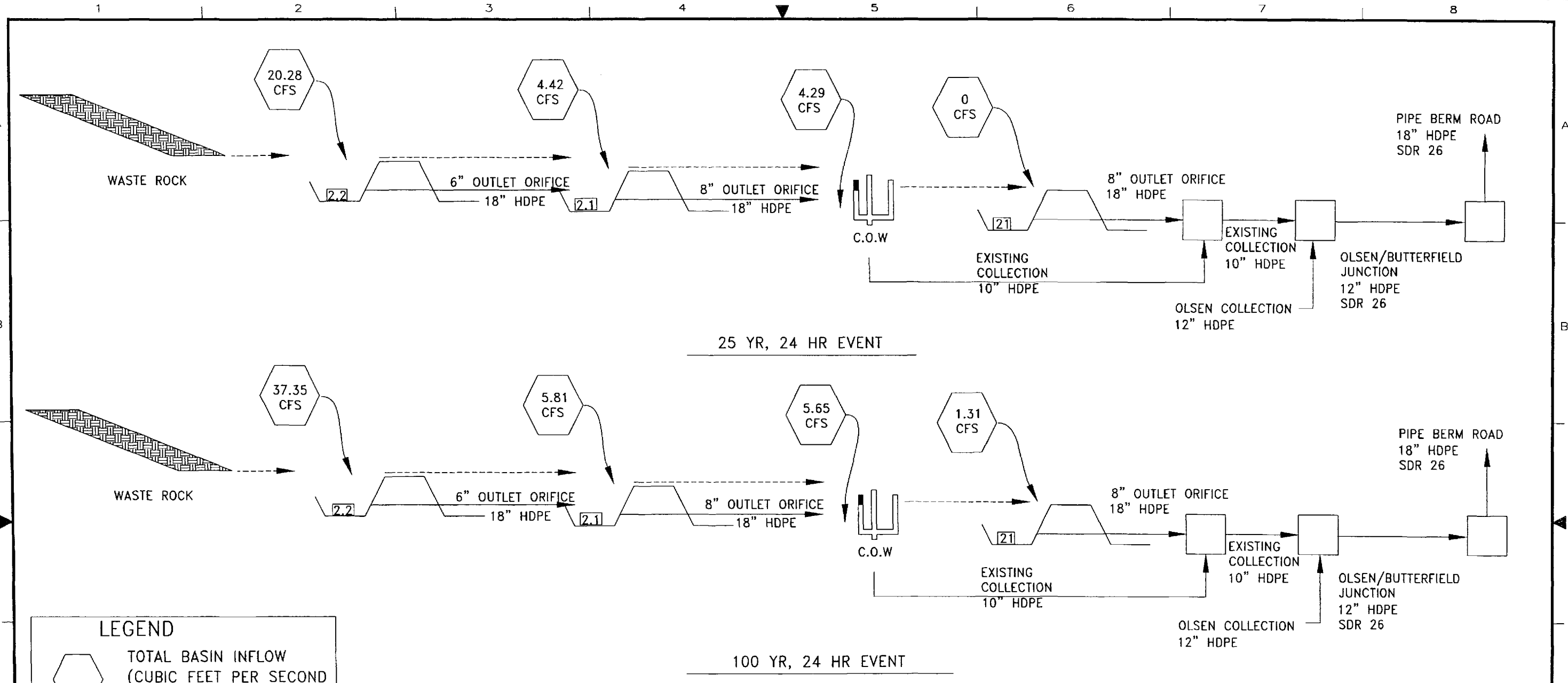
**URS**

**KENNECOTT UTAH COPPER**

SOUTH END DRAINAGE COLLECTION SYSTEM  
 OLSEN FLOW DIAGRAM

Job No. \_\_\_\_\_ Dwg. No. **10199-C-135** REV. A

12/16/2013 6:57 PM  
 q:\projects\kenecott\2014 south end waste rock closure\05\_analysis and engineering\10199-c-129\_butterfield 1.dwg



**LEGEND**

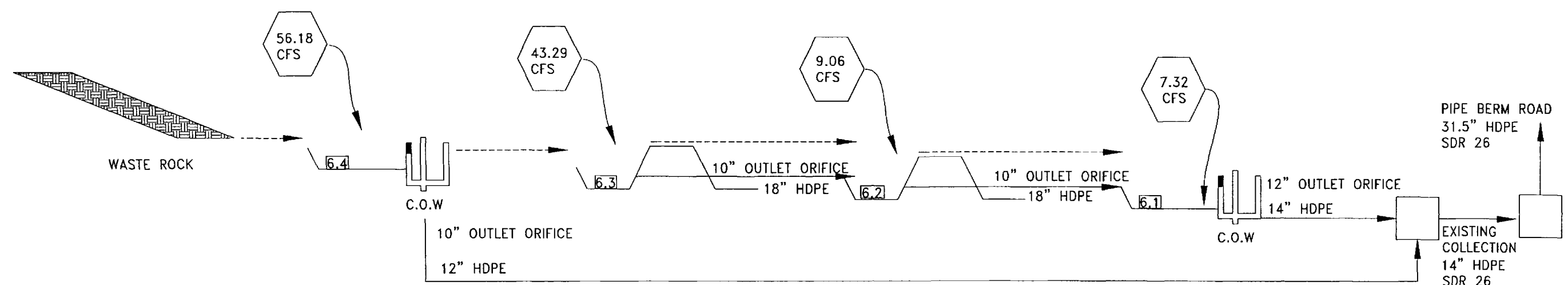
- TOTAL BASIN INFLOW (CUBIC FEET PER SECOND CFS)
- DIVERSION BOX
- OUTLET PIPE (NEW UNLESS OTHERWISE INDICATED)
- OVERFLOW
- BASIN ID
- CUT-OFF WALL (C.O.W.)

Total Watershed (acres)	Basin ID	Butterfield 1				NOAA 25 yr 24 hr Storm					NOAA 100 yr 24 hr Storm				
		Depth (ft)	Volume (ac.-ft)	Outlet Orifice Diameter (in)	Outlet Length (feet)	Storm Depth (in)	Runoff (cfs)	Peak Inflow (cfs)	Peak Outflow (cfs)	25-yr Overflow (cfs)	Storm Depth (in)	Runoff (cfs)	Peak Inflow (cfs)	Peak Outflow (cfs)	100-yr Overflow (cfs)
68	2.2	16	2.3	6.00	150.00	2.82	20.28	20.28	4.42	-	3.45	37.35	37.35	5.81	-
	2.1	15	0.9	8.00	88.00			4.42	4.29	-			5.81	5.65	-
	Cutoff Wall	-	-	10	-			4.29	4.16	-			5.65	4.33	1.31
	21	12	1.0	6.00	262.00			-	-	-			1.31	1.08	-

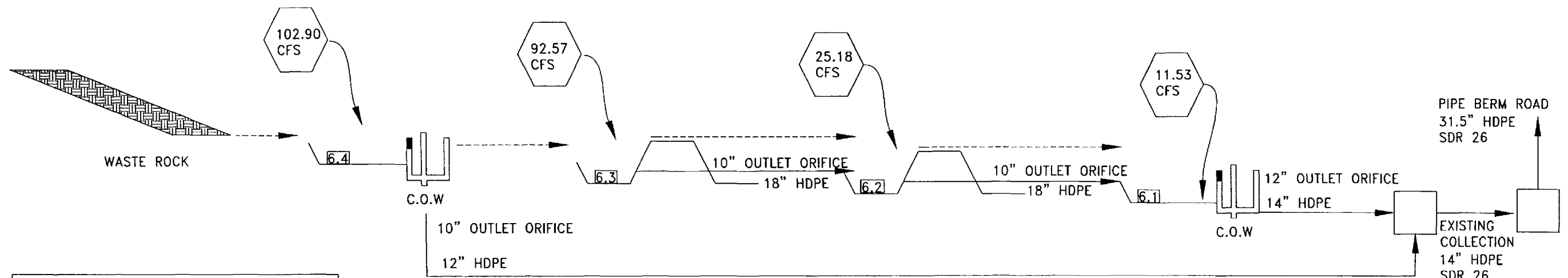
BUTTERFIELD 1 PLAN AND PROFILE		10199-C-108		RELEASE FOR CONSTRUCTION					<b>URS</b>		KENNECOTT UTAH COPPER		
SOUTH END DRAINAGE COLLECTION SYSTEM BUTTERFIELD 1 FLOW DIAGRAM		Job No.					Dwg. No. <b>10199-C-136</b>		REV.		13 OF 22		
AREA	NO.	DATE	REVISION	BY	CHK	APP	REFERENCE DRAWINGS	NUMBER	NOTES	APPROVAL	DATE	SCALE	DATE



12/16/2013 6:52 PM  
 c:\projects\kennecott\2014 south end waste rock closure\05\_andals and engineering\phase 2\cadd\working\10199-c-134\sheet2.dwg



25 YR, 24 HR EVENT



100 YR, 24 HR EVENT

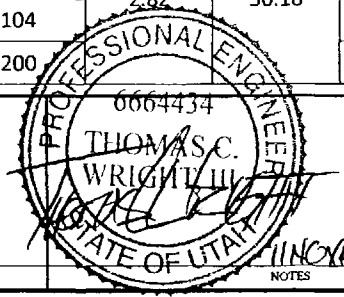
**LEGEND**

- TOTAL BASIN INFLOW (CUBIC FEET PER SECOND CFS)
- DIVERSION BOX
- OUTLET PIPE (NEW UNLESS OTHERWISE INDICATED)
- OVERFLOW
- BASIN ID
- CUT-OFF WALL (C.O.W.)

Yosemite						NOAA 25yr 24 hr Storm					NOAA 100 yr 24 hr Storm				
Total Watershed (acres)	Basin ID	Depth (ft)	Volume (ac-ft)	Outlet Orifice Diameter (in)	Outlet Length (feet)	Storm Depth (in)	Runoff (cfs)	Peak Inflow (cfs)	Peak Outflow (cfs)	25-yr Overflow (cfs)	Storm Depth (in)	Runoff (cfs)	Peak Inflow (cfs)	Peak Outflow (cfs)	100-yr Overflow (cfs)
189	UCOW 6.4	12	1.88	10	1000	2.82	56.18	56.18	10.31	43.29	3.45	102.90	102.9	10.33	92.57
	6.3	17	2.84	10	131			43.29	9.06	-			92.57	13.36	11.82
	6.2	20	2.57	10	104			9.06	7.32	-			25.18	11.53	-
	LCOW 6.1	12	1.32	12	200			7.32	6.15	-			11.53	10.71	-

AREA	NO.	DATE	REVISION	BY	CHK	APP	REFERENCE DRAWINGS	NUMBER

RELEASE FOR CONSTRUCTION



**URS**

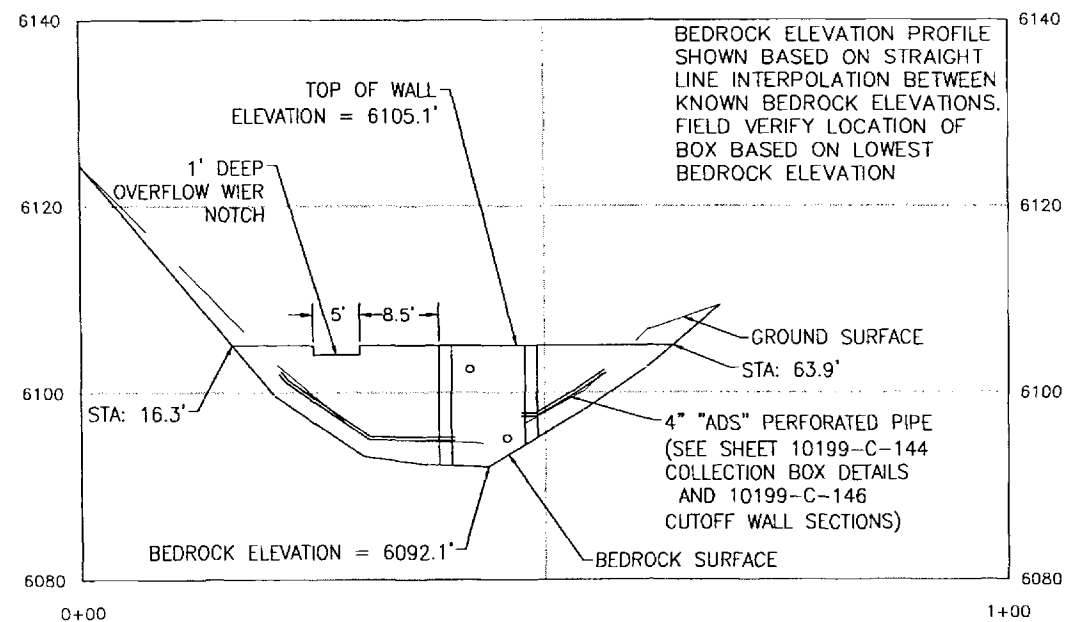
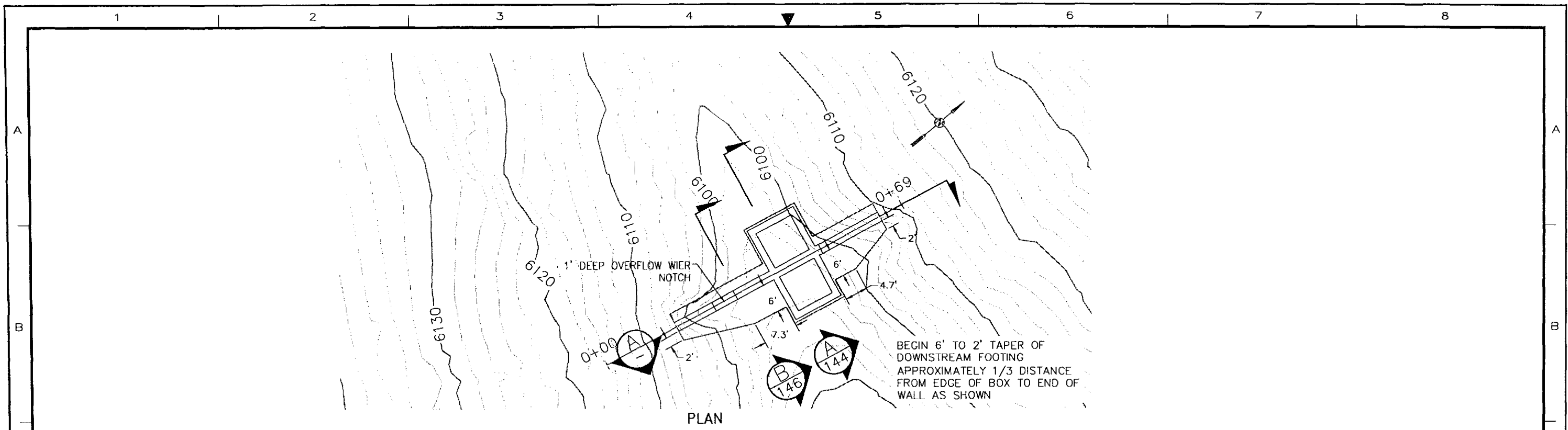
APPROVAL	DATE	SCALE	DATE

**KENNECOTT UTAH COPPER**

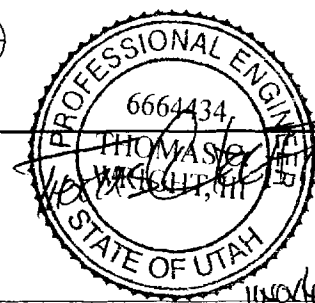
SOUTH END DRAINAGE COLLECTION SYSTEM  
 YOSEMITE FLOW DIAGRAM

Job No.      Dwg. No. **10199-C-134**      REV.





PROFILE  $\frac{1}{20}$  (A)



RELEASE FOR  
CONSTRUCTION

**URS**

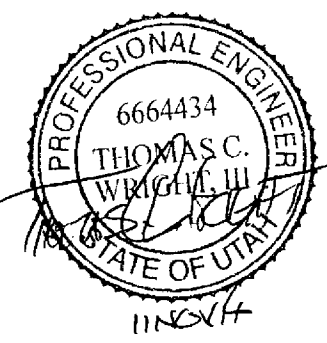
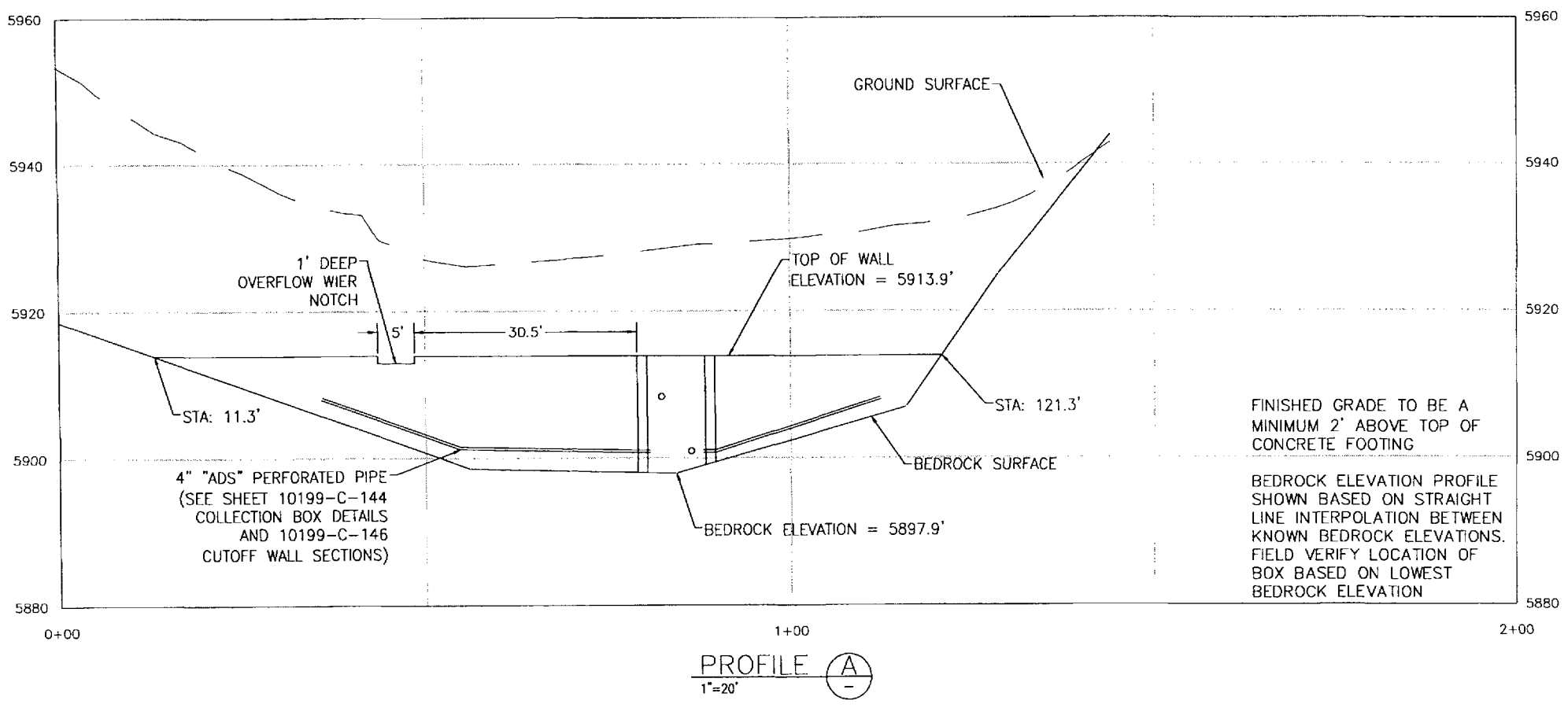
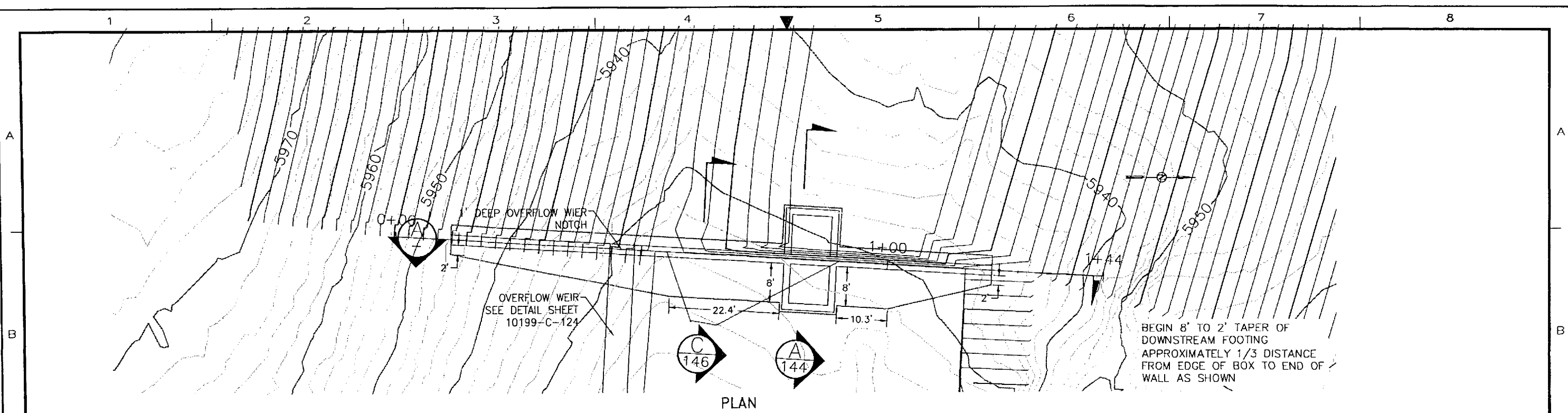
KENNECOTT  
UTAH COPPER

SOUTH END DRAINAGE COLLECTION SYSTEM  
BUTTERFIELD 1 CUTOFF WALL  
AXIAL PLAN AND PROFILE

17 OF 22

Job No. Dwg. No. **10199-C-141** REV.

AREA	NO.	DATE	REVISION	BY	CHK	APP	REFERENCE DRAWINGS	NUMBER



AREA	NO.	DATE	REVISION	BY	CHK	APP	REFERENCE DRAWINGS	NUMBER

**RELEASE FOR  
CONSTRUCTION**

NOTES

APPROVAL	DATE	SCALE	DATE

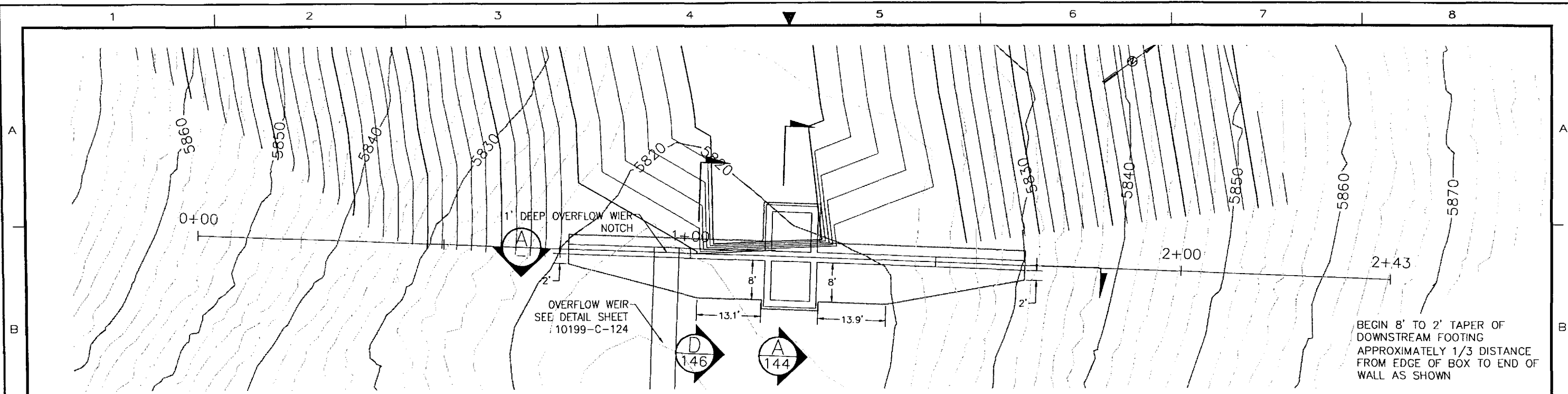
**URS**

**KENNECOTT  
UTAH COPPER**

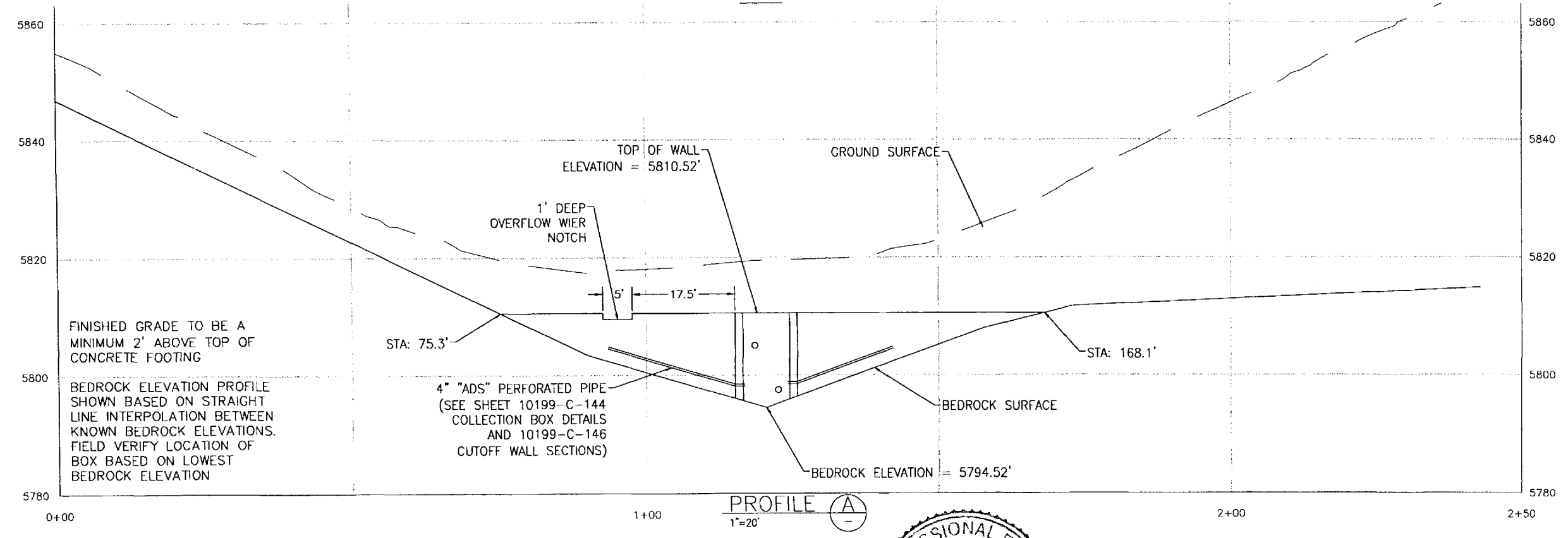
SOUTH END DRAINAGE COLLECTION SYSTEM  
UPPER YOSEMITE CUTOFF WALL  
AXIAL PLAN AND PROFILE

18 OF 22

Job No. \_\_\_\_\_ Dwg. No. **10199-C-142** REV. \_\_\_\_\_



PLAN



PROFILE (A)  
1"=20'

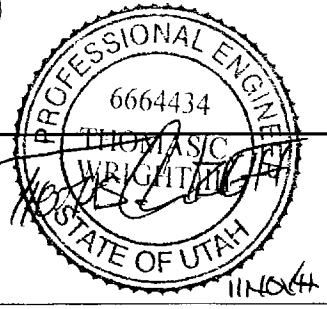
FINISHED GRADE TO BE A MINIMUM 2' ABOVE TOP OF CONCRETE FOOTING

BEDROCK ELEVATION PROFILE SHOWN BASED ON STRAIGHT LINE INTERPOLATION BETWEEN KNOWN BEDROCK ELEVATIONS. FIELD VERIFY LOCATION OF BOX BASED ON LOWEST BEDROCK ELEVATION

4" "ADS" PERFORATED PIPE (SEE SHEET 10199-C-144 COLLECTION BOX DETAILS AND 10199-C-146 CUTOFF WALL SECTIONS)

AREA	NO.	DATE	REVISION	BY	CHK	APP	REFERENCE DRAWINGS	NUMBER

RELEASE FOR CONSTRUCTION



URS

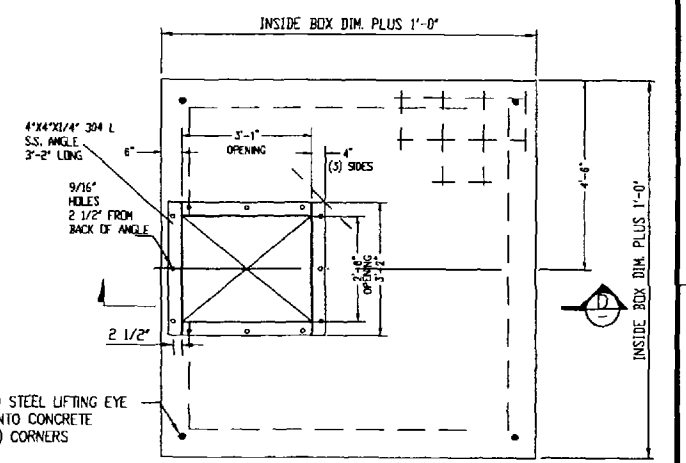
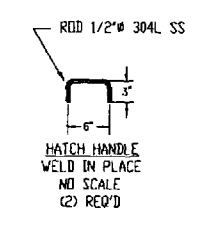
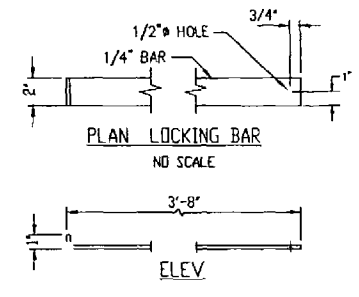
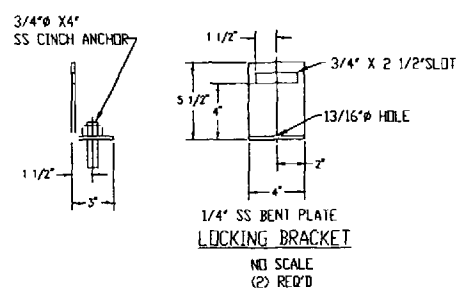
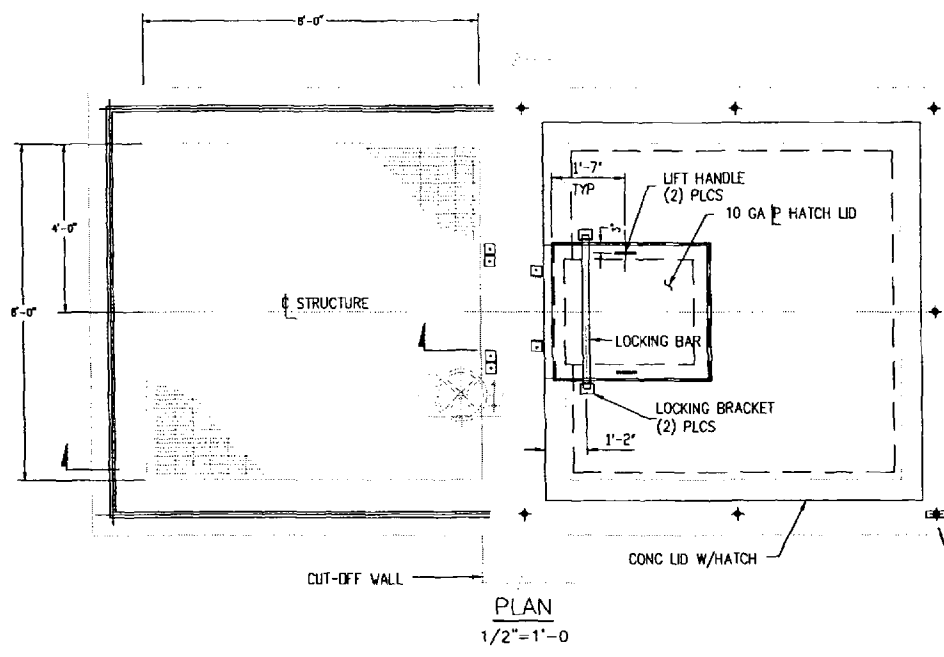
APPROVAL	DATE	SCALE:	DATE
		DESIGNED BY	
		DRAWN BY	
		CHECKED BY	
		PROJECT ENGINEER	
		PROJECT MANAGER	

KENNECOTT UTAH COPPER

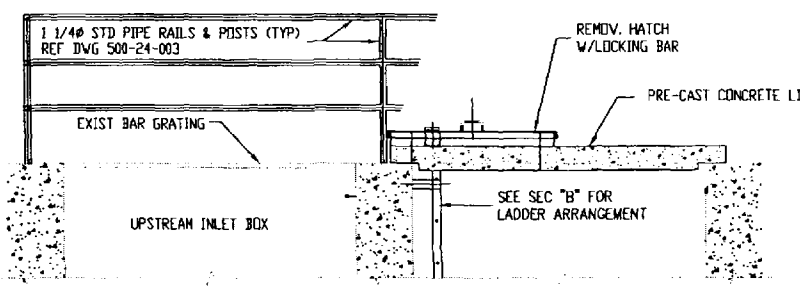
SOUTH END DRAINAGE COLLECTION SYSTEM  
LOWER YOSEMITE CUTOFF WALL  
AXIAL PLAN AND PROFILE 19 OF 22

Job No.      Dwg. No. **10199-C-143** REV.

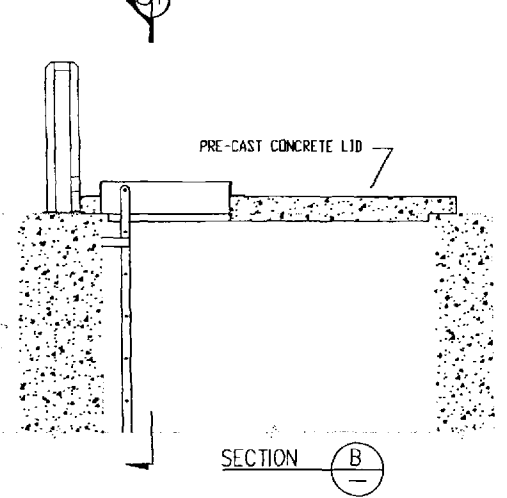
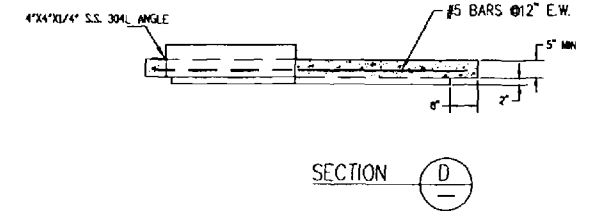
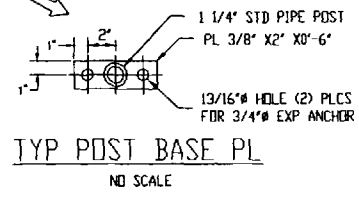
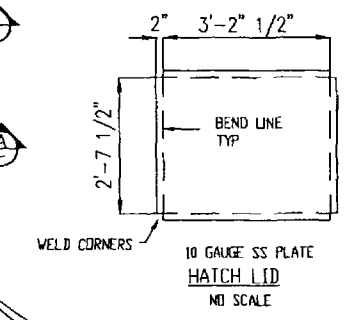




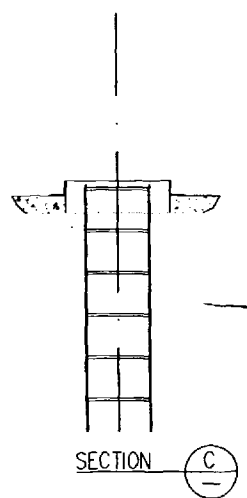
PLAN PRE-CAST CONCRETE LID  
SCALE: 1/2"=1'-0"



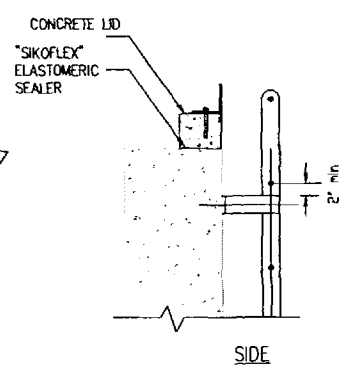
SECTION A



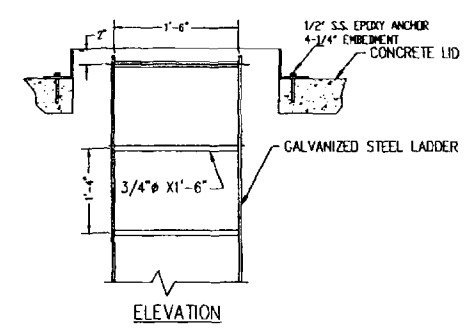
SECTION B



SECTION C

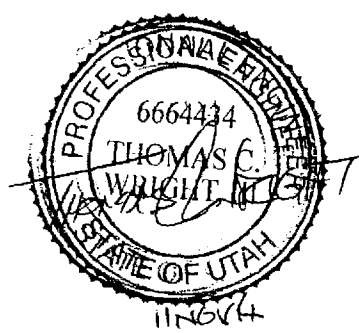


SIDE



ELEVATION

LADDER MODIFICATION  
1"=1'-0"



GENERAL NOTES:  
1. REINFORCEMENT DESIGN FOR PRECAST MEMBER TO BE SUBMITTED BY PRE-CAST CONTRACTOR.

RELEASE FOR CONSTRUCTION

URS

KENNECOTT UTAH COPPER

SOUTH END DRAINAGE COLLECTION SYSTEM  
CUTOFF WALL LID AND HATCH DETAILS

21 OF 22

AREA	NO.	DATE	REVISION	BY	CHK	APP	REFERENCE DRAWINGS	NUMBER	NOTES
1									
2									
3									
4									

APPROVAL	DATE	SCALE	DATE

Job No. \_\_\_\_\_ Dwg. No. **10199-C-145** REV. \_\_\_\_\_

